

TMX W354

SAW Bandpass Filter – CDMA Rx – RF
Specification (Rev 1)

- ▣ Features..... P01
- ▣ Package Drawing & Pin out..... P01
- ▣ Technical Characteristics P02
- ▣ Matching Network..... P02
- ▣ Nominal Response..... P03
- ▣ Maximum Ratings..... P04
- ▣ Marking & Packaging P04

TMX W354

SAW Bandpass Filter – CDMA Rx – RF

Specification (Rev 1)

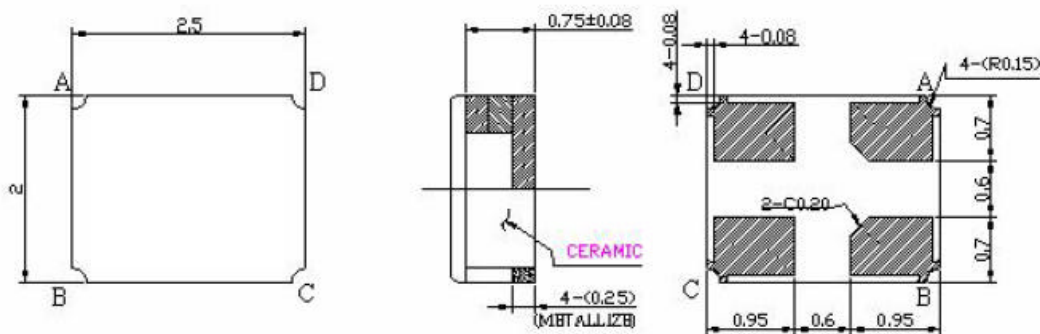
September 25th, 2005

Features

- ❑ Rx Filter for CDMA
- ❑ 881,5 MHz Center Frequency
- ❑ 25 MHz useable Passband
- ❑ 50 W Single Configuration
- ❑ Ceramic Package for Surface Mounted Technology

Package Drawing & Pin out

The product is in conformance with the European RoHs Regulation 2002/95.



Pin Configuration	
Input	B
Output	D
Case ground	A, C

TMX W354

SAW Bandpass Filter – CDMA Rx – RF

Specification (Rev 1)

September 25th, 2005

Technical Characteristics

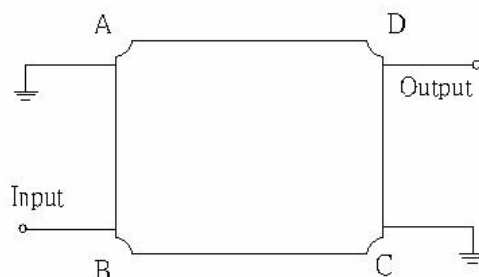
Reference Temperature : +25°C

Electrical Parameters	Unit	Minimum	Typical ⁽¹⁾	Maximum
Source Impedance (single)	Ω	-	50 ⁽²⁾	-
Load Impedance (single)	Ω	-	50 ⁽²⁾	-
Center Frequency f_0	MHz	-	881.5	-
Bandwidth at -3 dB	MHz	25	-	-
Absolute attenuation				
D.C to 840 MHz	dB	45	50	-
840 MHz to 851 MHz	dB	38	45	-
914 MHz to 924 MHz	dB	20	26	-
924 MHz to 950 MHz	dB	34	39	-
950 MHz to 997 MHz	dB	35	48	-
997 MHz to 2200 MHz	dB	40	48	-
2200 MHz to 3000 MHz	dB	27	33	-
Tx band suppression within 869 MHz - 894 MHz	dB	38	45	-
Insertion Loss within 869 MHz - 894 MHz	dB	-	2.1	2.8
Amplitude Ripple within 869 MHz - 894 MHz ⁽³⁾	dB _{p-p}	-	0.6	1.2
Return Loss within 869 MHz - 894 MHz		9.0	12.0	-

Notes :

- (1) Typical values are nominal performances at room temperature.
- (2) No external matching network is required.
- (3) The amplitude variation is defined as the maximum level – minimum level over the given bandwidth.

Matching Network



TMX W354

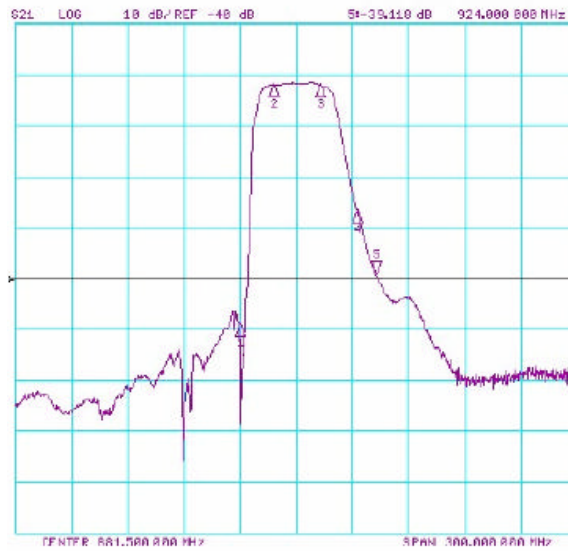
SAW Bandpass Filter – CDMA Rx – RF

Specification (Rev 1)

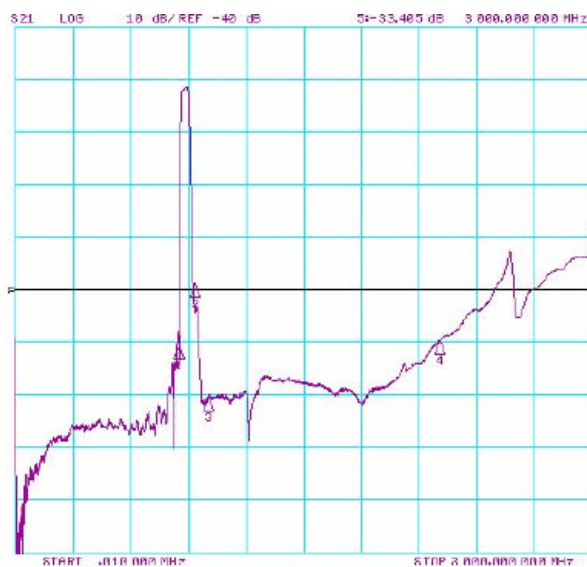
September 25th, 2005

Nominal Frequency Response (Measurements)

Frequency Response



Frequency Response



TMX W354

SAW Bandpass Filter – CDMA Rx – RF

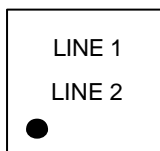
Specification (Rev 1)

September 25th, 2005

Maximum Ratings

Operating Temperature Range	°C	[-25°C ; +80°C]
Storage Temperature Range	°C	[-40°C ; +85°C]
DC voltage between any two pins	V	± 5
Input Power Level	dBm	15

Marking



Line 1: "P C" with P for the code product identification and C for the partner identifier

Line 2: "Y W" with Y for the last digit of the year and W for the week code (A to Z for the week 1 to 26 and a to z for the week 27 to 52).

Packaging

1. Temex label
2. ESD Prevention label
3. Pb free label (if applicable)

