

	<h1 style="margin: 0;">AKD4252-A</h1> <h2 style="margin: 0;">Evaluation Board Rev.0 for AK4252</h2>
---	---

General Description

AKD4252-A is an evaluation board for quickly evaluating the AK4252VU (Output Gain +12dB), 1ch video amplifier with low pass filter (LPF).

■ **Ordering Guide**

AKD4252-A --- Evaluation Board for AK4252VU

Function

- **Easy to evaluate AK4252VU**

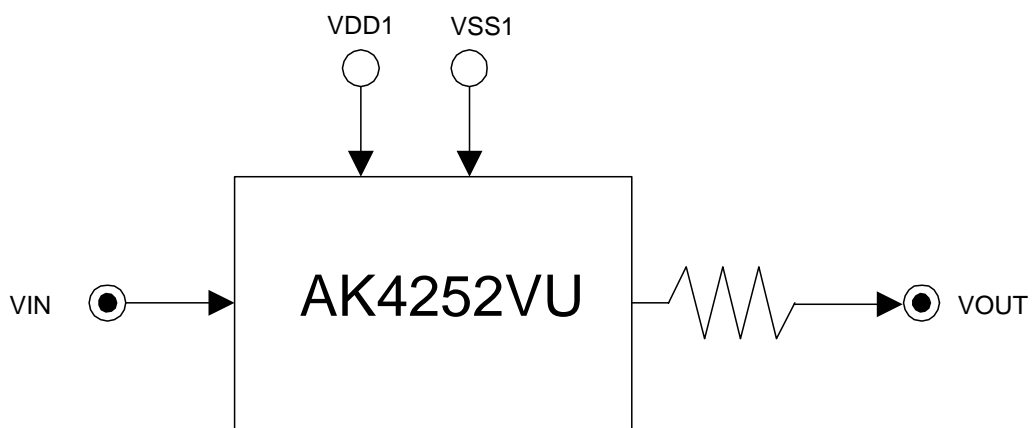


Figure 1. AKD4252-A Block diagram

* Circuit diagram and PCB layout are attached at the end of this manual.

■ Operation sequence

1) Set up the power supply lines.

[VDD1]	(Red)	= 2.7V~3.6V
[VSS1]	(Black)	= 0V

2) Set up the jumper pins. (Refer the next section.)

They should be set a default state.

3) Turn on the power supply.

AK4252VU includes a power-on-reset function. Therefore any reset is not required upon power-up externally.

■ Jumper pins set up

Jumper pins should be set the default state.

1) JP1 (DVDD) : DVDD and AVDD

OPEN : Separated.

SHORT: Connected. <Default>

2) JP2 (PDN) : Selection for the PDN pin of AK4252

OPEN: PDN pin is open.

DVDD: PDN pin is connected to DVDD. <Default>

■ Analog Input/Output Circuits

(1) Input Circuit

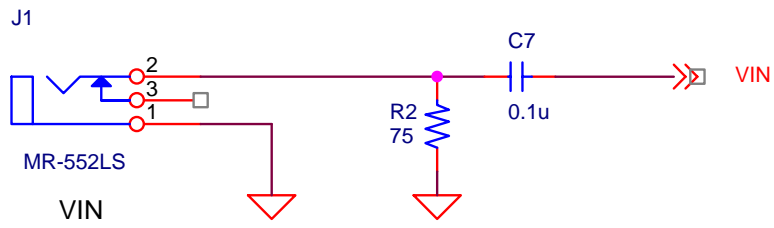


Figure 2. VIN input circuit

(2) Output Circuit

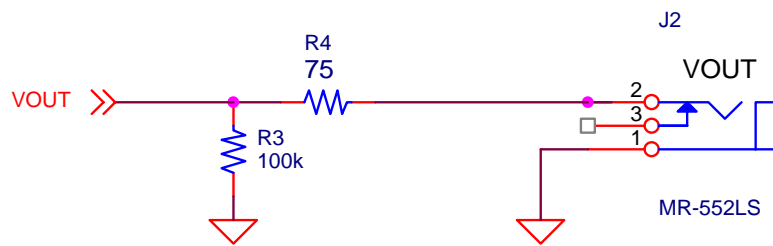


Figure 3. VOUT output circuit

MEASUREMENT RESULTS

1. VIDEO PLOT DATA

[Measurement condition]

- Measurement unit: Tektronix VM700T Video Measurement set
- Power Supply: VDD=3.0V
- Temperature: Room

1-1. S/N

- Measurement Frequency: 100kHz ~ 6MHz

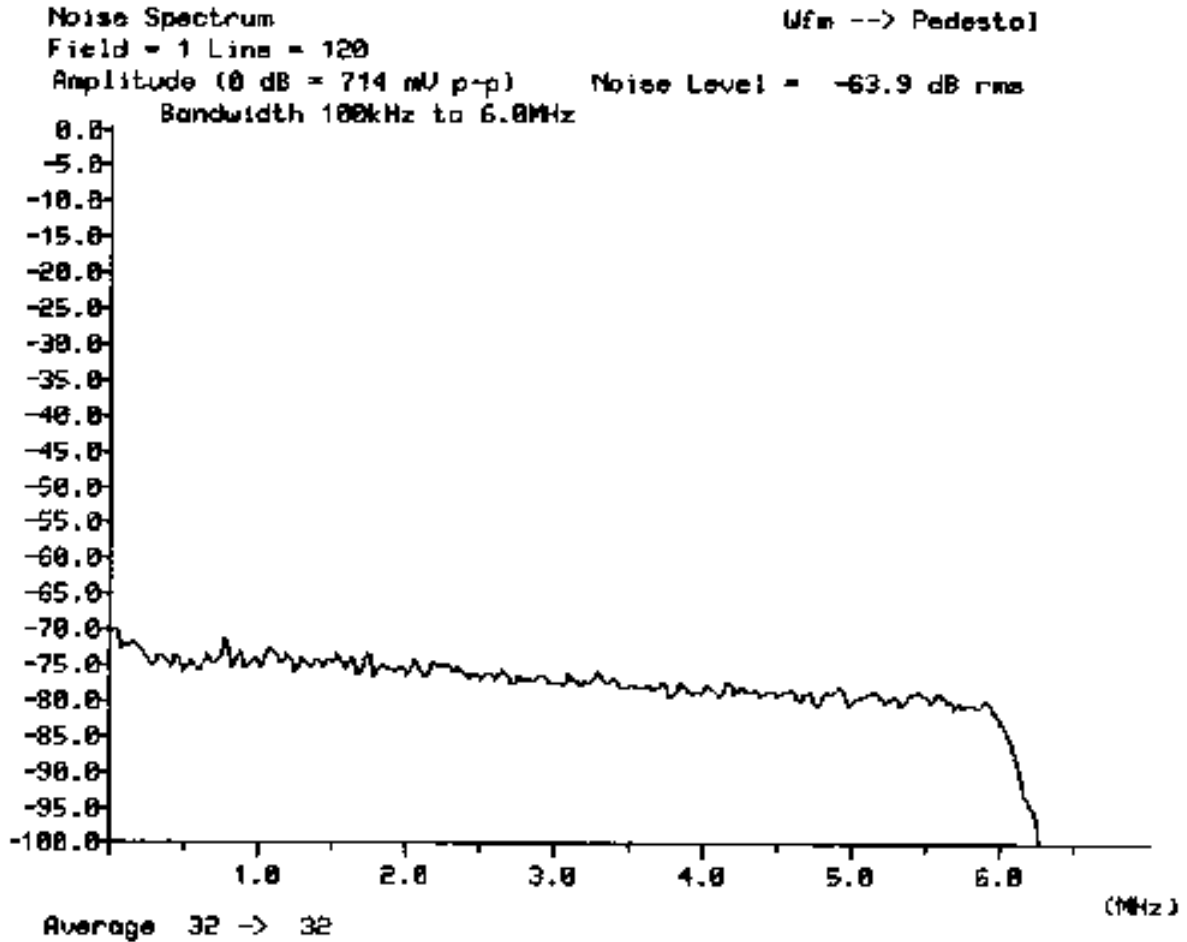


Figure 4. S/N (Noise Spectrum)

1-2. Vector

- Input signal: 75% Color Bar

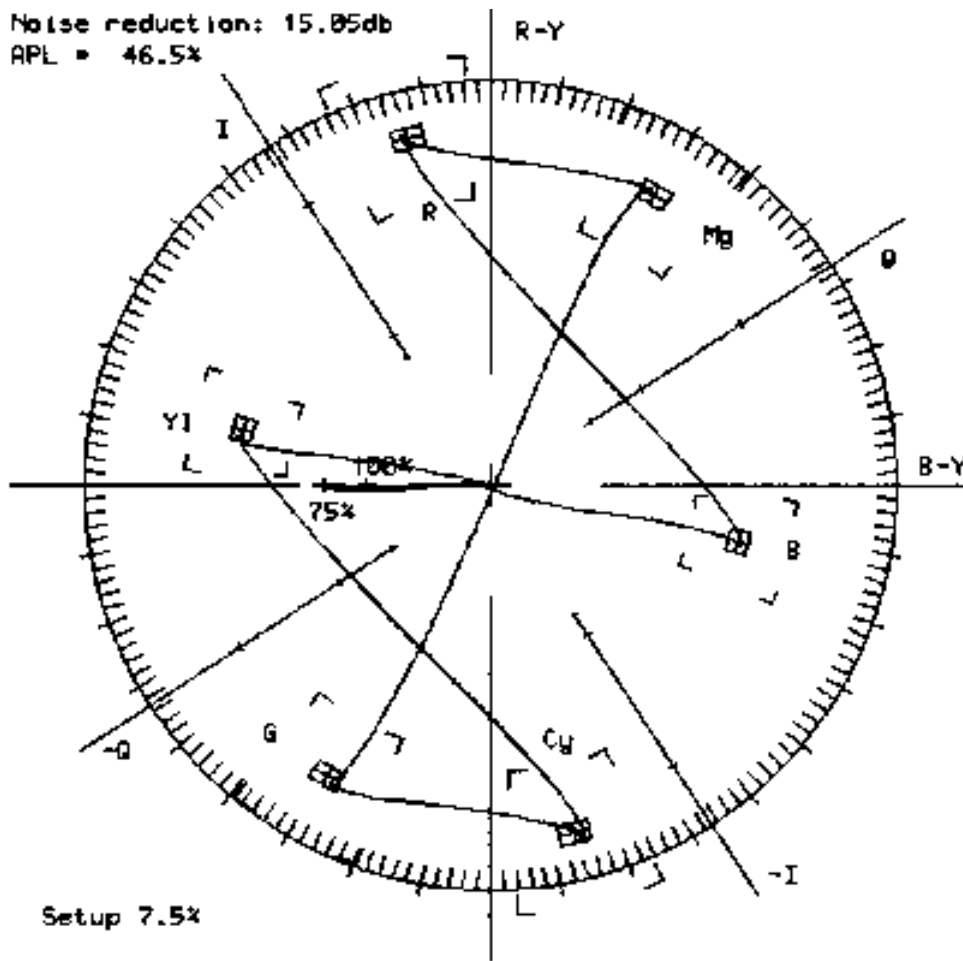


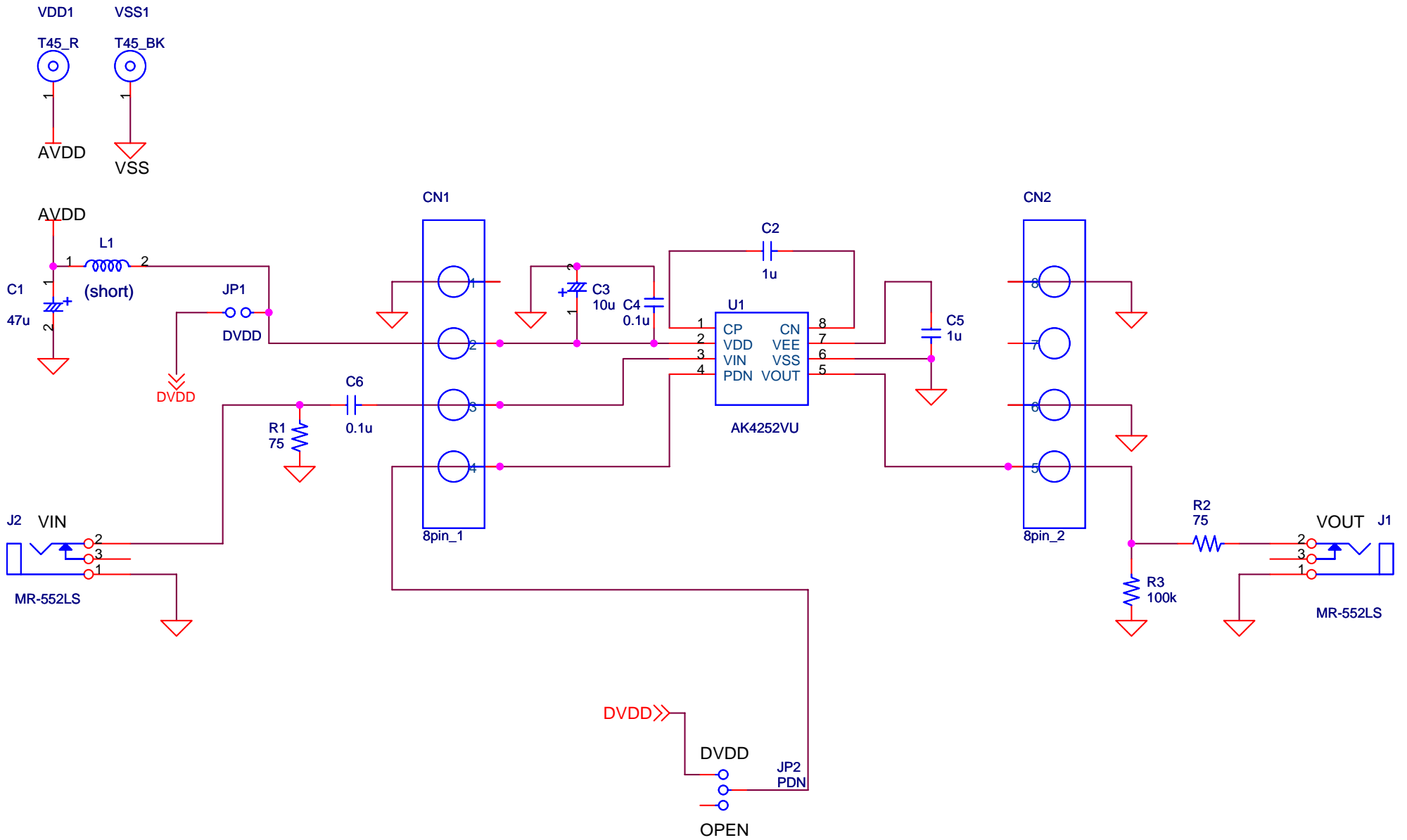
Figure 5. 75% Color Vector

Revision History

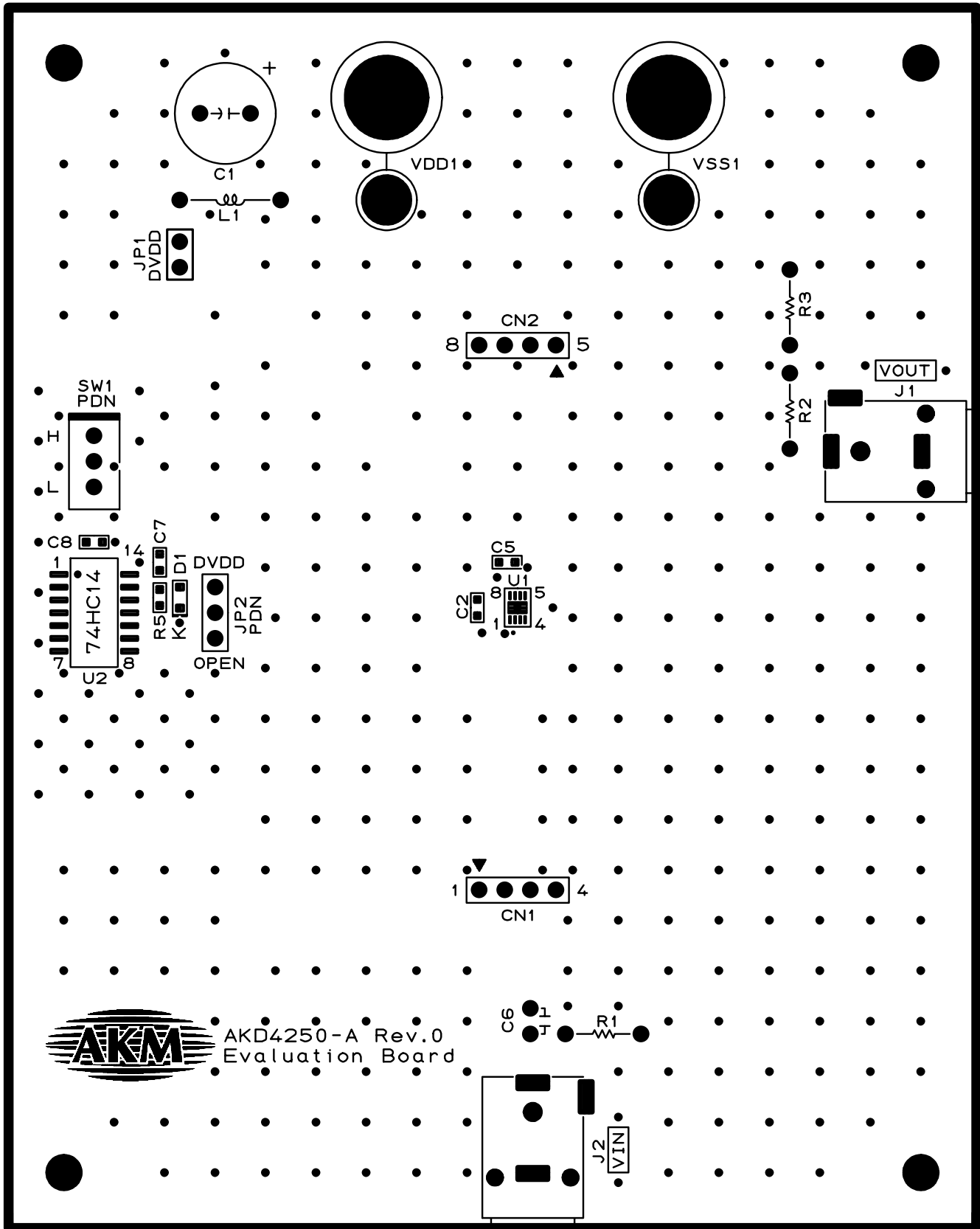
Date (yy/mm/dd)	Manual Revision	Board Revision	Reason	Contents
06/09/14	KM085300	0	First Edition	

IMPORTANT NOTICE

- These products and their specifications are subject to change without notice. Before considering any use or application, consult the Asahi Kasei Microsystems Co., Ltd. (AKM) sales office or authorized distributor concerning their current status.
- AKM assumes no liability for infringement of any patent, intellectual property, or other right in the application or use of any information contained herein.
- Any export of these products, or devices or systems containing them, may require an export license or other official approval under the law and regulations of the country of export pertaining to customs and tariffs, currency exchange, or strategic materials.
- AKM products are neither intended nor authorized for use as critical components in any safety, life support, or other hazard related device or system, and AKM assumes no responsibility relating to any such use, except with the express written consent of the Representative Director of AKM. As used here:
 - (a) A hazard related device or system is one designed or intended for life support or maintenance of safety or for applications in medicine, aerospace, nuclear energy, or other fields, in which its failure to function or perform may reasonably be expected to result in loss of life or in significant injury or damage to person or property.
 - (b) A critical component is one whose failure to function or perform may reasonably be expected to result, whether directly or indirectly, in the loss of the safety or effectiveness of the device or system containing it, and which must therefore meet very high standards of performance and reliability.
- It is the responsibility of the buyer or distributor of an AKM product who distributes, disposes of, or otherwise places the product with a third party to notify that party in advance of the above content and conditions, and the buyer or distributor agrees to assume any and all responsibility and liability for and hold AKM harmless from any and all claims arising from the use of said product in the absence of such notification.

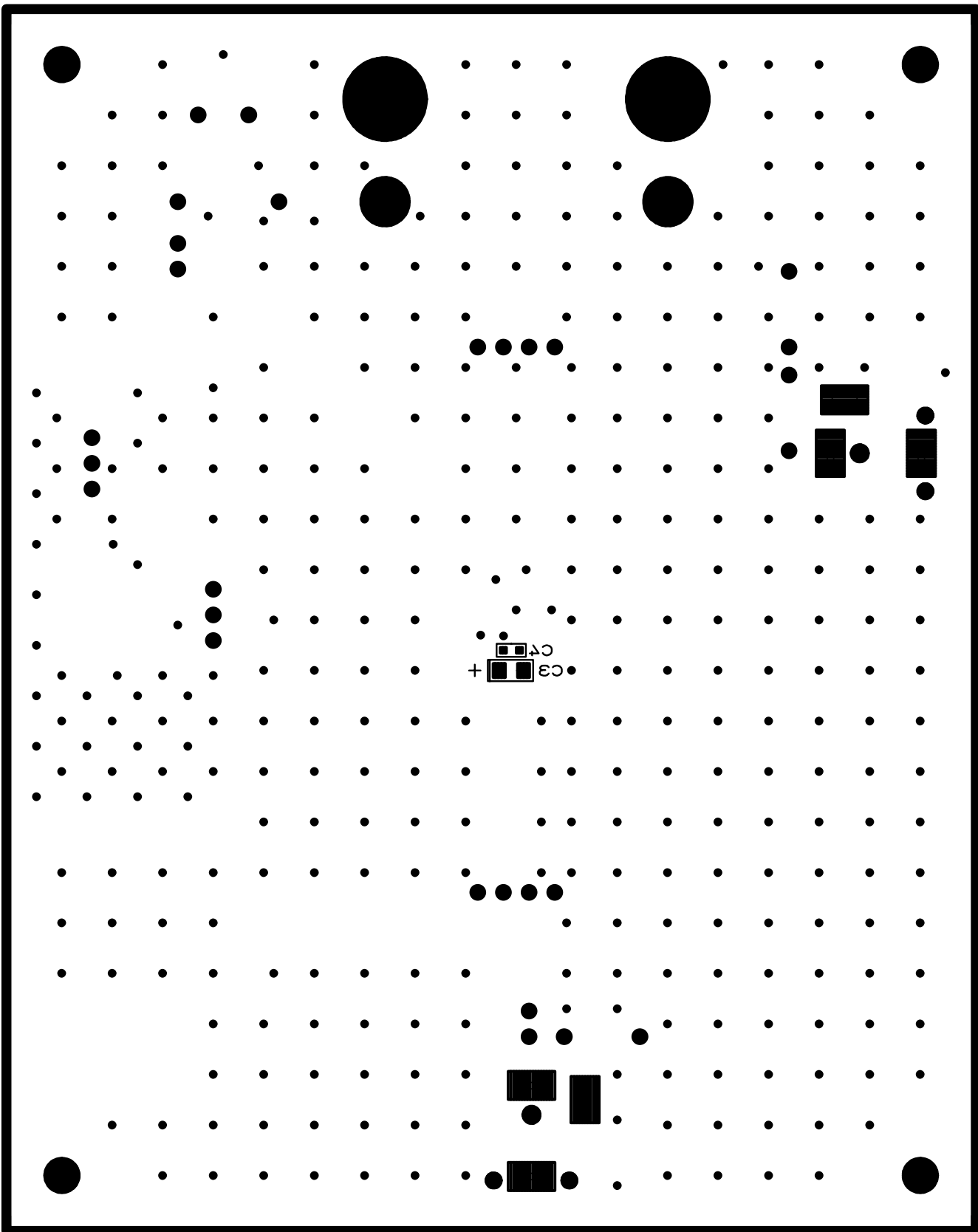


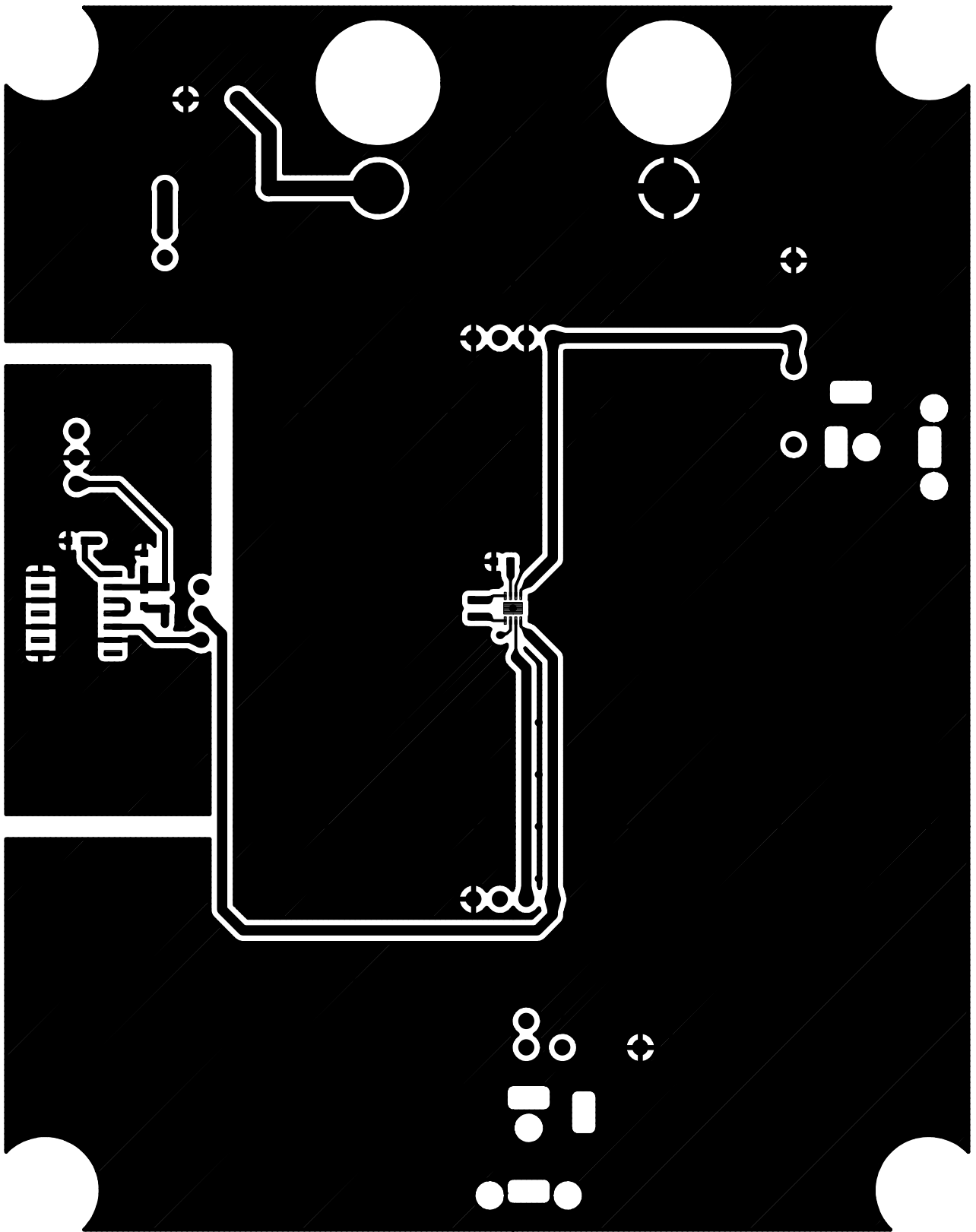
Title			AKD4252-A		
Size	Document Number				Rev
A	AK4252VU				0
Date:	Monday, August 21, 2006	Sheet	1	of	1



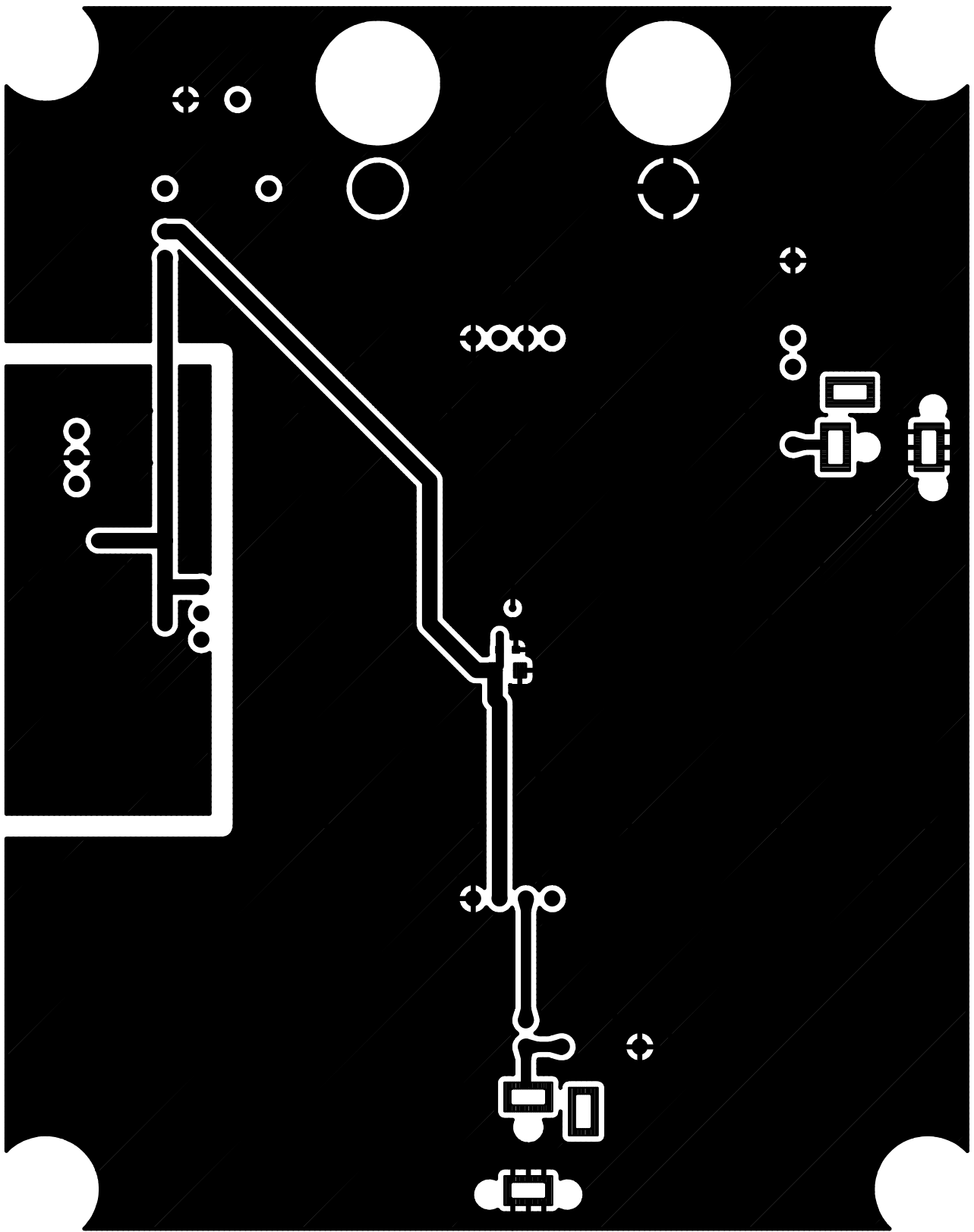
AKD4250-A Rev.0
Evaluation Board

AKD4250-A L1 SILK





AKD4250-A L1



AKD4S20-A LS