



STA333ML

Sound Terminal™

2 channel microless high efficiency digital audio system

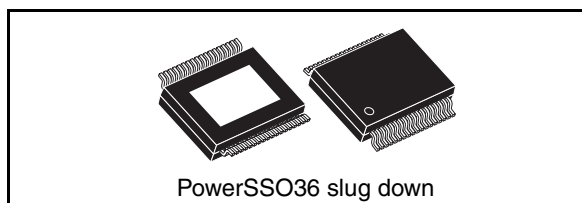
Target Specification

Features

- Wide supply voltage range (4.5-18 V)
- 2 x 20 W @ 8 Ω, V_{cc} = 18 V
- 3 power output configurations; 2 channels of ternary PWM
- PowerSSO-36 exposed pad package
- 2 channels of 24-Bit DDX®
- 100 dB SNR and dynamic range
- 32 kHz to 48 kHz input sample rates
- Soft volume update
- Automatic zero-detect mute
- Automatic invalid input detect mute
- 2-channel I²S input data interface
- Selectable clock input ratio (256 / 364 Fs)
- Max power correction for lower full power
- 96 kHz internal processing sample rate, 24-bit precision
- Thermal overload and short-circuit protection embedded

Applications

- LCD
- DVD
- Cradle
- Digital speaker
- Wireless speaker cradle



Description

STA333ML is a single die embedding digital audio processing and high efficiency power amplification, capable of operating without the aid of an external micro controller.

The STA333ML is part of the Sound Terminal™ family that provides full digital audio streaming to the speaker offering cost effectiveness, low energy dissipation and sound enrichment.

The STA333ML combines a unique 24-bit DDX® digital Class-D ternary modulator together with an extremely low R_{DS(on)} stereo power Dmos stage. The latter is capable of a total output power of 2 x 20 W with outstanding performances in terms of efficiency (>90 %), THD, SNR and EMI.

The microless feature allows the use in low cost applications (cradle, digital speakers, audio terminals) where no micro controller is needed.

The serial audio data interface accepts the world wide used I²S format; basic features (for example, oversampling clock, gain, I²S format) can be set using a minimal number of selection pins.

STA333ML is self-protected against thermal overload, overcurrent, short circuit and overvoltage conditions.

The fault condition is also exported to an external pin (INT-LINE) for specific requirements.

Order codes

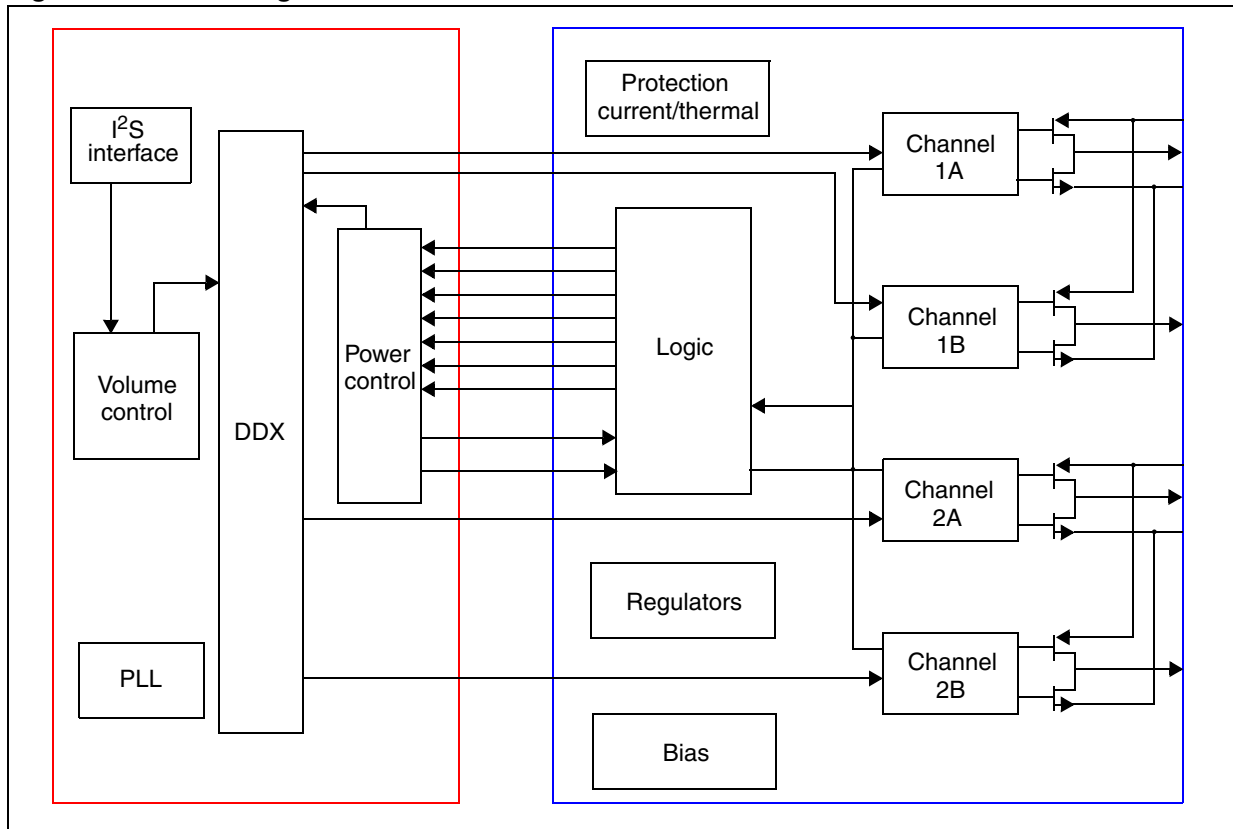
Part number	Package	Packing
STA333ML	PowerSSO36 (slug down)	Tube
STA333ML13TR	PowerSSO36 (slug down)	Tape and reel

Contents

1	Block diagram	3
2	Pin description	4
3	Electrical specifications	6
3.1	Thermal data	6
3.2	Absolute maximum ratings	6
3.3	Recommended operating condition	6
3.4	Electrical characteristics	7
4	Testing	9
5	Functional description	10
5.1	Serial audio interface protocols	10
5.2	Fault detect recovery bypass	10
5.3	Zero-detect mute enable	11
6	Package thermal characteristics	12
7	Package information	13
8	Revision history	14

1 Block diagram

Figure 1. Block diagram



2 Pin description

Figure 2. Pin connection (Top view)

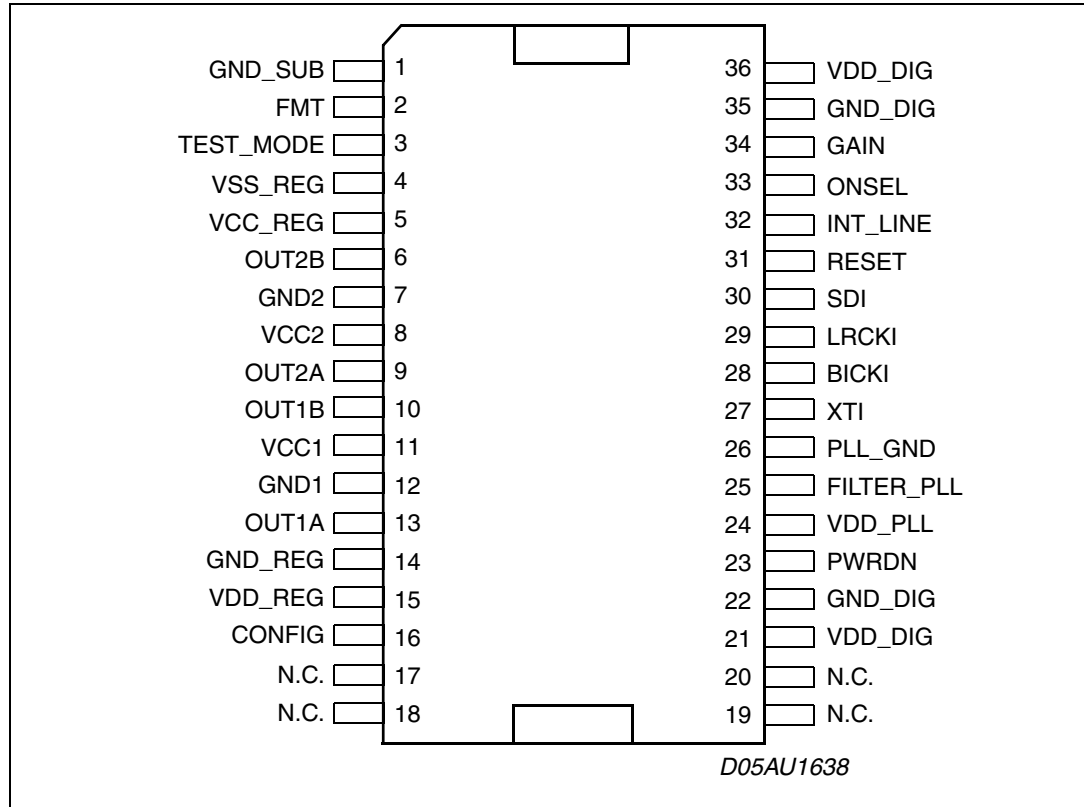


Table 1. Pin description

Pin	Type	Name	Description
1	Gnd	GND_SUB	Substrate ground
2	I	FMT	0: I ² S format 1: left justified
3	I	TEST_MODE	This pin must be connected to GROUND
4	I/O	VSS	Internal reference at Vcc-3.3 V
5	I/O	VSS_REG	Internal Vcc reference
6	O	OUT2B	Output half bridge 2B
7	Gnd	GND2	Power negative supply
8	Power	VCC2	Power positive supply
9	O	OUT2A	Output half bridge 2A
10	O	OUT1B	Output half bridge 1B
11	Power	VCC1	Power positive supply
12	Gnd	GND1	Power negative supply

Table 1. Pin description (continued)

Pin	Type	Name	Description
13	I/O	OUT1A	Output half bridge 1A
14	GND	GND_REG	Internal ground reference
15	Power	VDD_REG	Internal 3.3 V reference voltage
16	I	CONFIG	Paralleled mode command
17		N.C.	Not connected
18		N.C.	Not connected
19		N.C.	Not connected
20		N.C.	Not connected
21	Power	VDD_DIG	Positive supply digital
22	GND	GND_DIG	Digital ground
23	I	PWDN	Power down
24	Power	VDD_PLL	Positive supply for PLL
25	I	FILTER_PLL	Connection to PLL filter
26	GND	GND_PLL	Negative supply for PLL
27	I	XTI	PLL input clock, 256 Fs, or 384 Fs
28	I	BICKI	I ² S serial clock
29	I	LRCKI	I ² S left/right clock
30	I	SDI	I ² S serial data channel
31	I	RESET	Reset
32	O	INT_LINE	Fault interrupt
33	I	ONSEL	Onersampling selector 0: 256 Fs 1: 384 Fs
34	I	GAIN	Gain selector 0: 0 dBFs 1: 24 dBFs
35	GND	GND_DIG	Digital ground
36	Power	VDD_DIG	Digital supply

3 Electrical specifications

3.1 Thermal data

Table 2. Thermal data

Symbol	Parameter	Min.	Typ.	Max.	Unit
$R_{Th(j-case)}$	Thermal resistance junction to case (thermal pad)		1.5	2	°C/W
T_{sd}	Thermal shut-down junction temperature		150		°C
T_w	Thermal warning temperature		130		°C
T_{hsd}	Thermal shut-down hysteresis		20		°C

3.2 Absolute maximum ratings

Table 3. Absolute maximum ratings

Symbol	Parameter	Min.	Typ.	Max.	Unit
VCC	Power supply voltage (VCCxA,VCCxB)			20	V
V_L	Logic input interface	-0.3		4	V
VDD_DIG	Positive supply digital			4	V
T_{op}	Operating junction temperature	0		150	°C
T_{stg}	Storage temperature	-40		150	°C

3.3 Recommended operating condition

Table 4. Recommended operating condition

Symbol	Parameter	Min.	Typ.	Max.	Unit
V_S	Power supply voltage (VCCxA,VCCxB)	4.5		18.0	V
V_L	Logic Input Interface	2.7	3.3	3.6	V
VDD_DIG	Positive supply digital	2.7	3.3	3.6	V
T_{amb}	Ambient temperature	0		70	°C

3.4 Electrical characteristics

Table 5. Electrical characteristics

($V_{CC} = 18\text{ V}$, $V_{DD_DIG} = 3.3\text{ V}$, $f_{sw} = 384\text{ kHz}$, $T_{amb} = 25\text{ °C}$, $R_L = 8\text{ }\Omega$ unless otherwise specified)

Symbol	Parameter	Conditions	Min.	Typ.	Max.	Unit
Po	Output power BTL	THD = 1 %		16		W
		THD = 10%		20		
R _{dsON}	Power Pchannel/Nchannel MOSFET (Total Bridge)	I _d =1A		180	250	mΩ
I _{dss}	Power Pchannel/Nchannel leakage	V _{cc} = 18V			10	μA
gP	Power Pchannel RdsON Matching	I _d =1A	95			%
gN	Power Nchannel RdsON Matching	I _d =1A	95			%
I _{LDT}	Low current dead time (static)	Resistive load Figure 3 .		5	10	ns
I _{HDT}	High current dead time (dynamic)	@I _{load} = 1.5 A (Figure 5)		10	20	ns
t _r	Rise time	Resistive load Figure 3 .		8	10	ns
t _f	Fall time	Resistive load Figure 3 .		8	10	ns
VCC	Supply voltage operating voltage		4.5		18	V
I _{cc}	Supply current from Vcc in power down	PWRDN = 0		0.1		mA
	Supply current from Vcc in operation	PCM Input signal = -60 dBFS. Switching frequency = 384KHz No LC filters		30		mA
	Supply current DDX processing (reference only)	Internal clock = 49.152 MHz		80		mA
I _{lim}	Overcurrent limit	Nonlinear output	2.2	3.5	4.3	A
I _{sc}	short circuit protection	Hi-Z output	2.7	3.8	5.0	A
UVL	Under voltage protection threshold			3.5	4.3	V
t _{min}	Output minimum pulse width	No load	20	30	60	ns
DR	Dynamic range			100		dB
SNR	Signal to noise ratio	A - weighted		94		dB
THD+N	Total harmonic distortion + noise	P _o = 1 W, f = 1 kHz		0.05	0.2	%
PSRR	Power supply rejection ratio	DDX stereo, <5 kHz V _{ripple} = 1 V _{RMS} Audio input = dither only		80		dB

Table 5. Electrical characteristics (continued)
 ($V_{CC} = 18\text{ V}$, $V_{DD_DIG} = 3.3\text{ V}$, $f_{sw} = 384\text{ kHz}$, $T_{amb} = 25\text{ °C}$, $R_L = 8\ \Omega$ unless otherwise specified)

Symbol	Parameter	Conditions	Min.	Typ.	Max.	Unit
X_{TALK}	Crosstalk	DDX stereo, <5 kHz One CH driven @ 1 W other channel measured		80		dB
η	Peak efficiency, DDX mode	$P_o = 2 \times 20\text{ W}$, $8\ \Omega$		90		%

Table 6. Functional pin status

Pin name	Pin number	Logic value	IC status
PWRDN	23	0	Low absorption
PWRDN	23	1	Normal operation

4 Testing

Figure 3. Resistive load

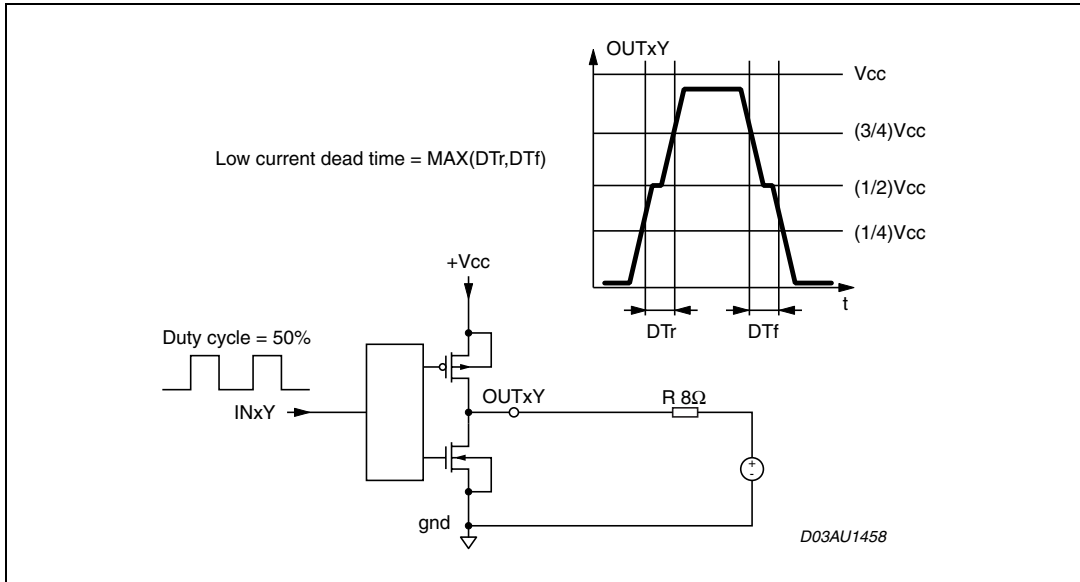
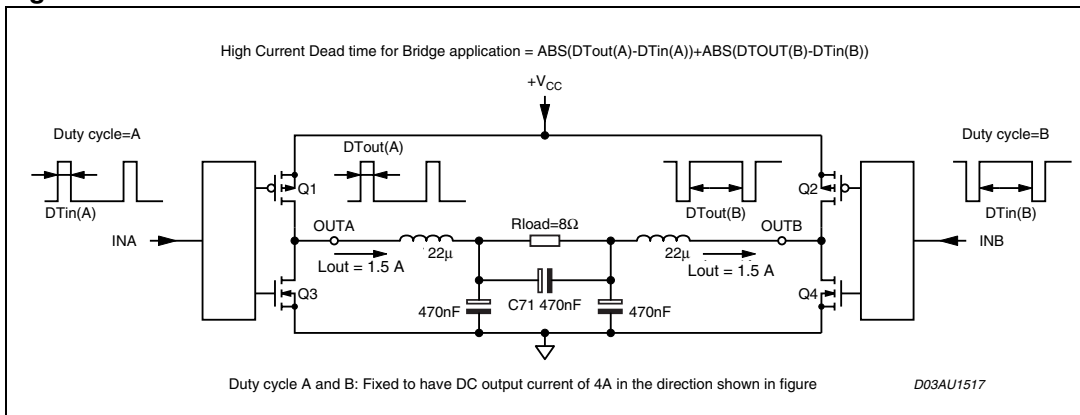


Figure 4. Test circuit



5 Functional description

5.1 Serial audio interface protocols

Figure 5. I²S

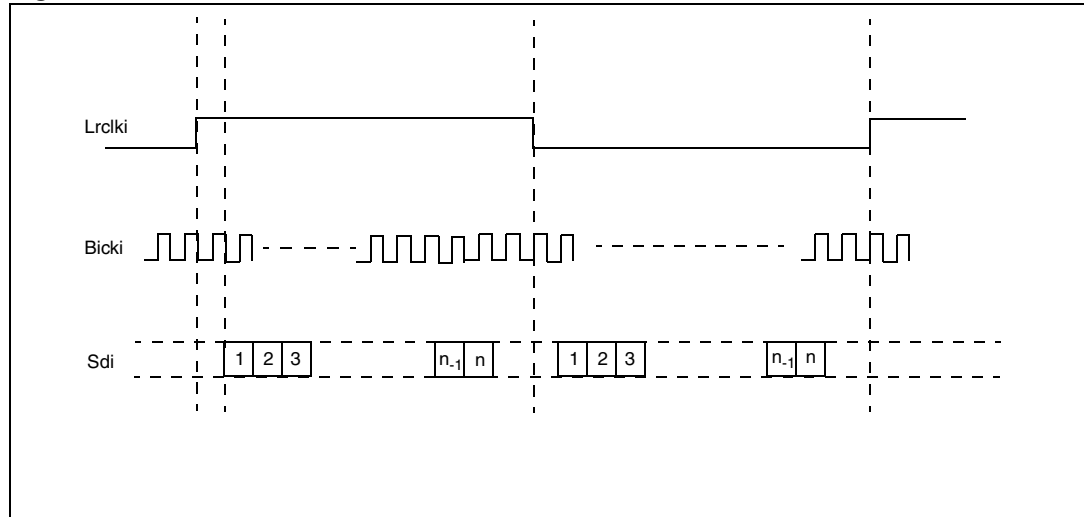
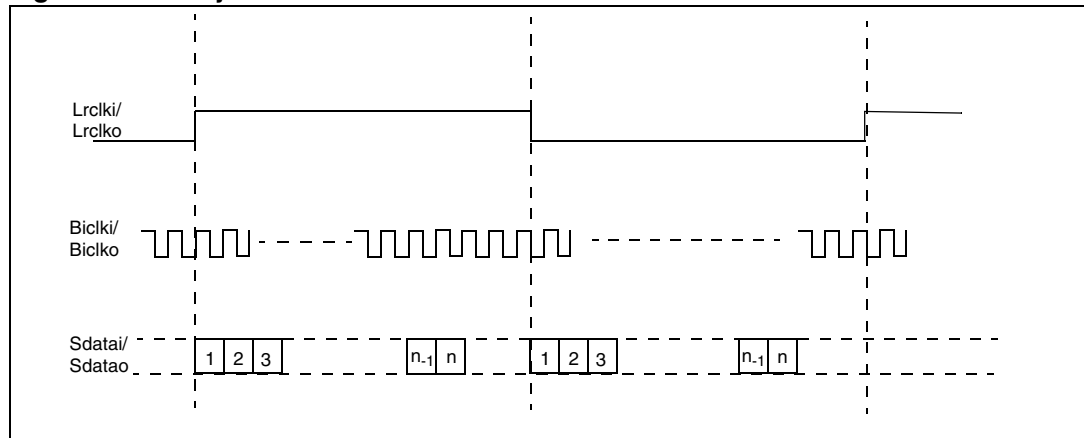


Figure 6. Left justified



5.2 Fault detect recovery bypass

The on-chip STA333ML power output block provides feedback to the digital controller using inputs to the power control block. The FAULT input is used to indicate a fault condition (either over-current or thermal). When FAULT is asserted (set to 0), the power control block attempts a recovery from the fault by asserting the tristate output (setting it to 0 which directs the power output block to begin recovery), holds it at 0 for 1 ms and then toggles it back to 1. This sequence is repeated for as long as the fault exists.

5.3 Zero-detect mute enable

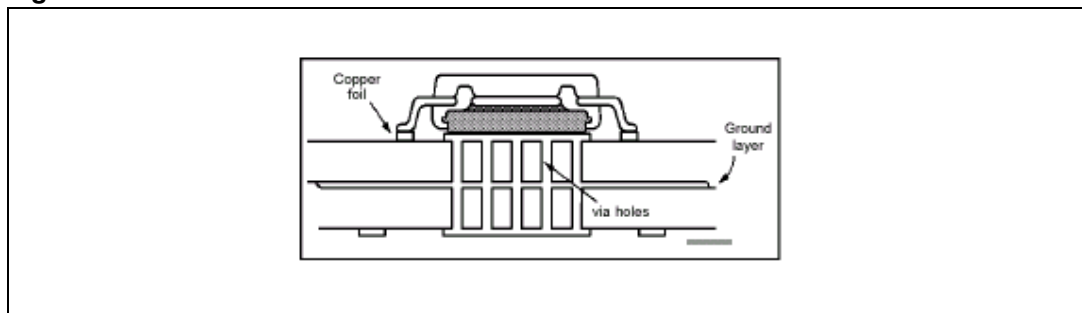
If this function is enabled, the zero-detect circuit examines each processing channel to see if 2048 consecutive zero value samples (regardless of fs) are received. If so the channel is muted.

6 Package thermal characteristics

A thermal resistance of 25 °C per Watt can be achieved using a ground copper area of 3 x 3 cm, and using 16 vias, on the PCB (see [Figure 7](#)). The amount of power dissipated within the device depends primarily on the supply voltage, load impedance and output modulation level.

The max estimated dissipated power for the STA333ML is 3 W. This gives, with the suggested board copper area, a maximum ΔT_j of 75 °C. This gives a safety margin before the thermal protection intervention is invoked ($T_j=150$ °C) in consumer environments where a 50 °C is the maximum ambient temperature.

Figure 7. Thermal characteristic

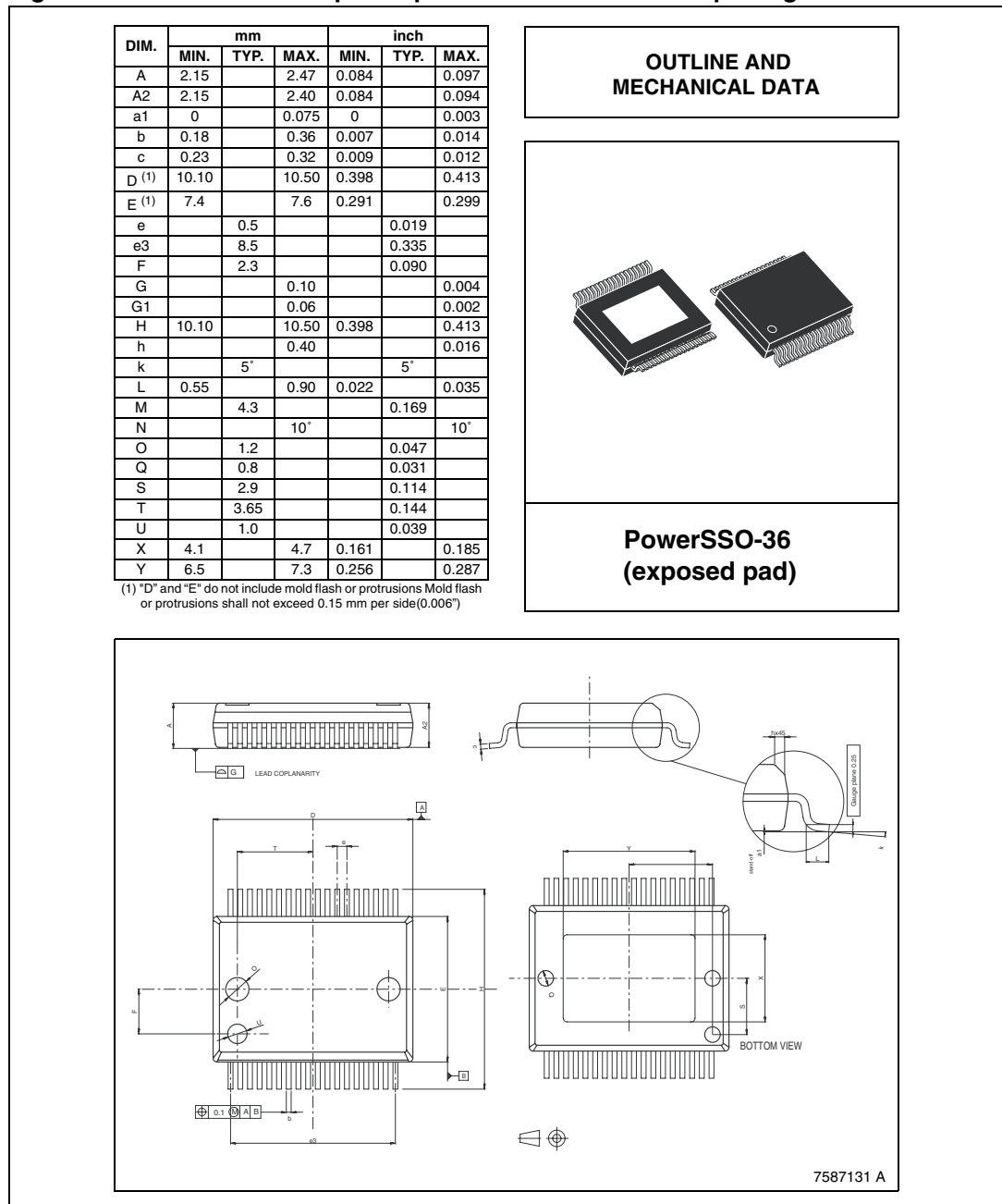


7 Package information

In order to meet environmental requirements, ST offers these devices in ECOPACK® packages. These packages have a lead-free second level interconnect. The category of second level interconnect is marked on the package and on the inner box label, in compliance with JEDEC Standard JESD97. The maximum ratings related to soldering conditions are also marked on the inner box label. ECOPACK is an ST trademark.

ECOPACK specifications are available at: www.st.com.

Figure 8. PowerSSO36 exposed pad mechanical data and package dimensions



8 Revision history

Table 7. Document revision history

Date	Revision	Changes
1-Feb-2007	1	Initial release.

Please Read Carefully:

Information in this document is provided solely in connection with ST products. STMicroelectronics NV and its subsidiaries ("ST") reserve the right to make changes, corrections, modifications or improvements, to this document, and the products and services described herein at any time, without notice.

All ST products are sold pursuant to ST's terms and conditions of sale.

Purchasers are solely responsible for the choice, selection and use of the ST products and services described herein, and ST assumes no liability whatsoever relating to the choice, selection or use of the ST products and services described herein.

No license, express or implied, by estoppel or otherwise, to any intellectual property rights is granted under this document. If any part of this document refers to any third party products or services it shall not be deemed a license grant by ST for the use of such third party products or services, or any intellectual property contained therein or considered as a warranty covering the use in any manner whatsoever of such third party products or services or any intellectual property contained therein.

UNLESS OTHERWISE SET FORTH IN ST'S TERMS AND CONDITIONS OF SALE ST DISCLAIMS ANY EXPRESS OR IMPLIED WARRANTY WITH RESPECT TO THE USE AND/OR SALE OF ST PRODUCTS INCLUDING WITHOUT LIMITATION IMPLIED WARRANTIES OF MERCHANTABILITY, FITNESS FOR A PARTICULAR PURPOSE (AND THEIR EQUIVALENTS UNDER THE LAWS OF ANY JURISDICTION), OR INFRINGEMENT OF ANY PATENT, COPYRIGHT OR OTHER INTELLECTUAL PROPERTY RIGHT.

UNLESS EXPRESSLY APPROVED IN WRITING BY AN AUTHORIZED ST REPRESENTATIVE, ST PRODUCTS ARE NOT RECOMMENDED, AUTHORIZED OR WARRANTED FOR USE IN MILITARY, AIR CRAFT, SPACE, LIFE SAVING, OR LIFE SUSTAINING APPLICATIONS, NOR IN PRODUCTS OR SYSTEMS WHERE FAILURE OR MALFUNCTION MAY RESULT IN PERSONAL INJURY, DEATH, OR SEVERE PROPERTY OR ENVIRONMENTAL DAMAGE. ST PRODUCTS WHICH ARE NOT SPECIFIED AS "AUTOMOTIVE GRADE" MAY ONLY BE USED IN AUTOMOTIVE APPLICATIONS AT USER'S OWN RISK.

Resale of ST products with provisions different from the statements and/or technical features set forth in this document shall immediately void any warranty granted by ST for the ST product or service described herein and shall not create or extend in any manner whatsoever, any liability of ST.

ST and the ST logo are trademarks or registered trademarks of ST in various countries.

Information in this document supersedes and replaces all information previously supplied.

The ST logo is a registered trademark of STMicroelectronics. All other names are the property of their respective owners.

© 2007 STMicroelectronics - All rights reserved

STMicroelectronics group of companies

Australia - Belgium - Brazil - Canada - China - Czech Republic - Finland - France - Germany - Hong Kong - India - Israel - Italy - Japan - Malaysia - Malta - Morocco - Singapore - Spain - Sweden - Switzerland - United Kingdom - United States of America

www.st.com