

## NARROW BAND FM/AM IF SYSTEM

### FEATURES

- Simultaneous Operation (AM Section, FM Section)
- AM Section with ON/OFF Control Input
- AGC Amplifier Control Input
- AGC Amplifier Output
- High-speed FM Limiter Amplifier (Up to 11 MHz)
- RF AGC Output (for External RF Amplifier)
- Built-in Noise Squelch Circuit (Noise Amplifier, Rectifier, Comparator)
- Wide Range Voltage Operation (2.5 V to 8.5 V)
- Very Small Package (TSSOP-24)

### DESCRIPTION

The TK10931V is an IF system IC designed for communications equipment. The TK10931V contains the following functions:

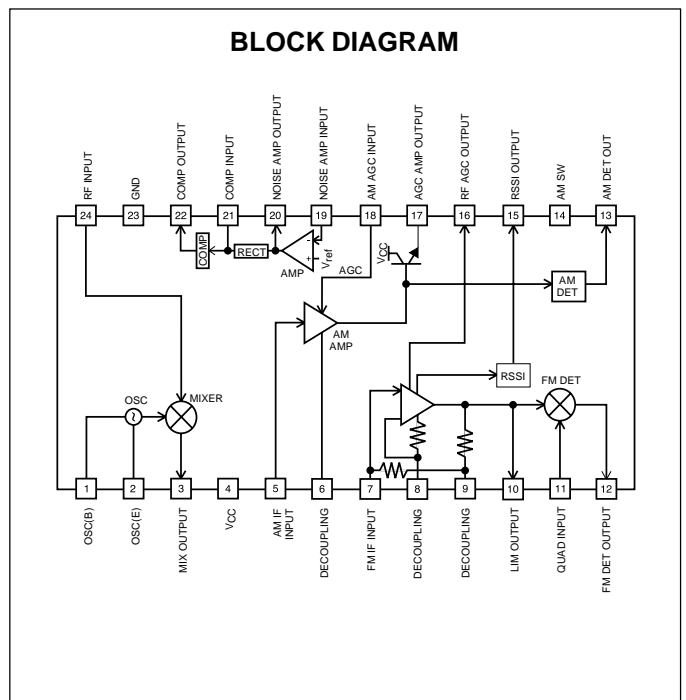
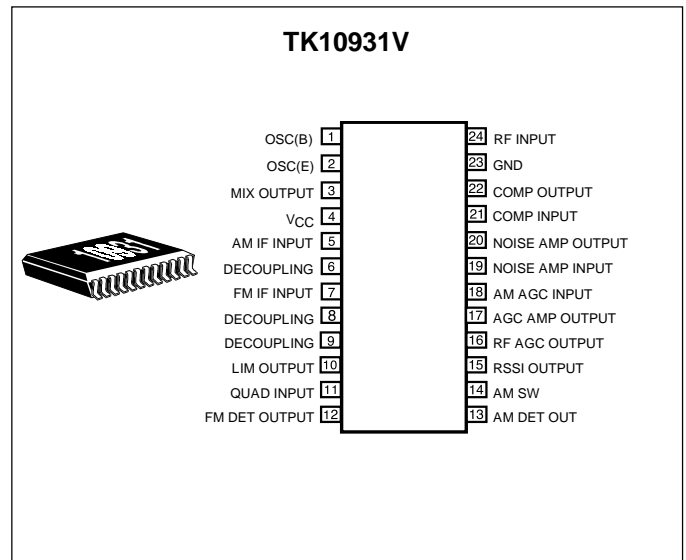
Oscillator	Mixer
FM IF Limiter	Quadrature Detector
AM AGC Amplifier	Squelch Noise Amplifier
AM Detector	Squelch Rectifier
RSSI Output	RF AGC Output
Squelch Comparator	

The TK10931V is suited for Amateur radios, CB radios, and Wide-Band receivers.

The TK10931V is available in the very small TSSOP-24 surface mount package.

### APPLICATIONS

- Amateur Radios
- CB Radios
- Utility Radios
- Scanner Receivers



**ORDERING INFORMATION**

TK10931V

Tape/Reel Code

TAPE/REEL CODE  
TL: Tape Left

# TK10931V

## ABSOLUTE MAXIMUM RATINGS

Supply Voltage .....	10 V	AM AGC Amp Input Frequency .....	0.5 MHz
Operating Voltage Range .....	2.5 to 8.5 V	Mixer Input Frequency .....	150 MHz
Power Dissipation (Note 1) .....	230 mW	Storage Temperature Range .....	-55 to +150 °C
FM Limiter Amp Input Frequency .....	11 MHz	Operating Temperature Range .....	-30 to +85 °C

## TK10931V ELECTRICAL CHARACTERISTICS

Test Conditions:  $V_{CC} = 3.0\text{ V}$ ,  $T_A = 25\text{ °C}$ , unless otherwise specified.

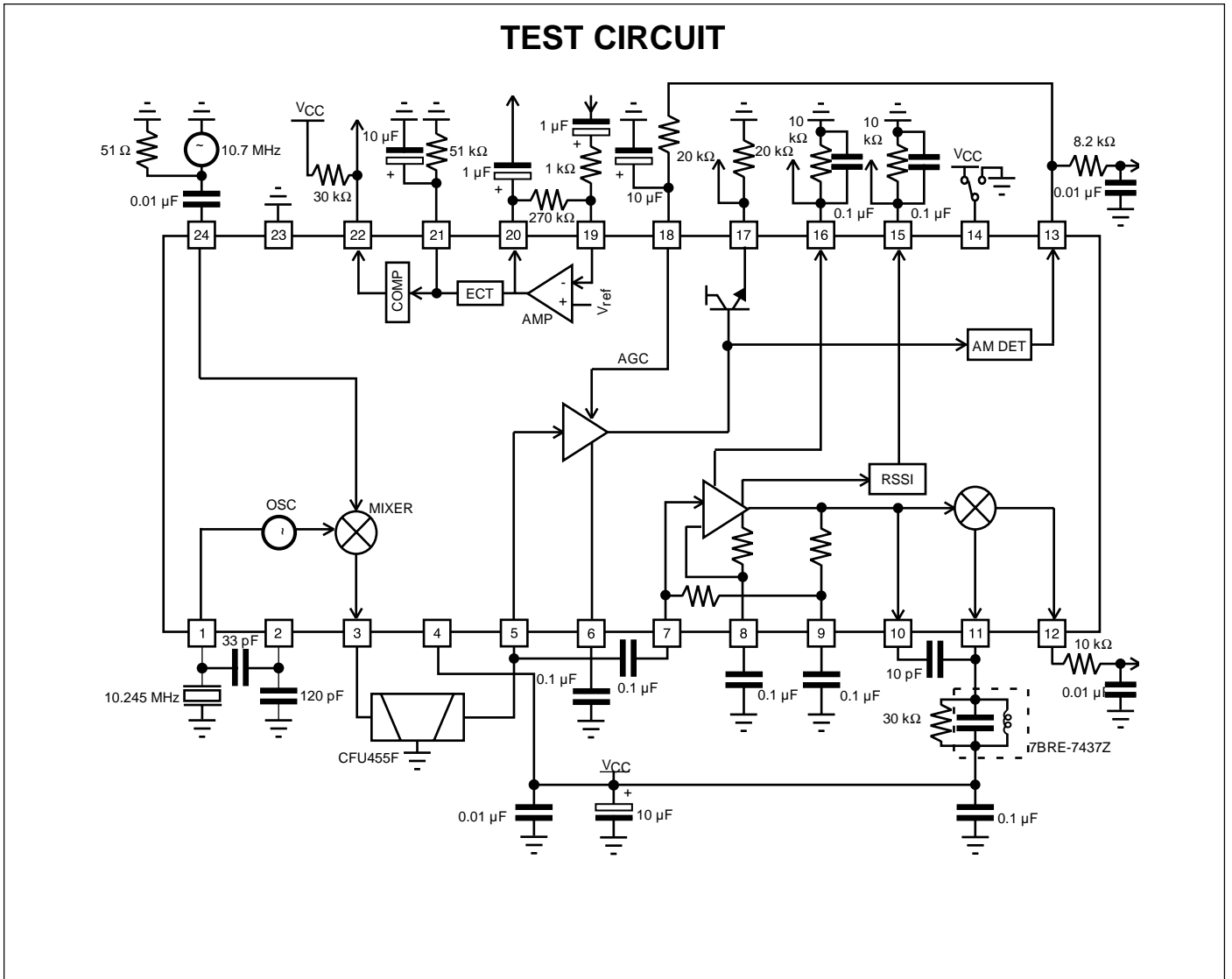
SYMBOL	PARAMETER	TEST CONDITIONS	MIN	TYP	MAX	UNITS
$I_{CC}$	Supply Current	No Input, AM ON		5.3	7.1	mA
		No Input, AM OFF		3.7	5.0	mA
$G_M$	Mixer Conversion Gain	Using CFU455F		22		dB
$R_{IM}$	Mixer Input Resistance	DC Measurement		3.6		k $\Omega$
<b>FM PORTION</b>						
SINAD	12 dB SINAD	$\pm 3\text{ kHz DEV}$		11	18	dB $\mu$
$V_{OUT(DET)1}$	Demodulation Output Voltage 1	+80 dB $\mu$ , $\pm 3\text{ kHz DEV}$	55	80	105	mVrms
THD1	Total Harmonic Distortion	+80 dB $\mu$		1.0	2.0	%
$G_f$	Filter Amplifier Gain	$f_{IN} = 1\text{ kHz}$ , $R_f = 270\text{ k}\Omega$ , $R_{IN} = 1\text{ k}\Omega$		47		dB
$S_H$	SCAN Control High Level	Squelch Input 2.5 V	2.5			V
$S_L$	SCAN Control Low Level	Squelch Input 0 V			0.3	V
HYS	Squelch Hysteresis			67		mV
$V_{RSSI}$	RSSI Output Voltage	No Input	0.0	0.1	0.5	V
		$V_{IN} = +40\text{ dB}\mu$	0.4	0.8	1.2	V
		$V_{IN} = +100\text{ dB}\mu$	1.0	1.4	1.8	V
$RF_{AGC}$	RF Automatic Gain Control	RF AGC OUT $V_{16} = 1\text{ V}$	62	69	76	dB $\mu$

Note 1: Power dissipation is 230 mW in free air. Derate at 1.84 mW/°C for operation above 25 °C.

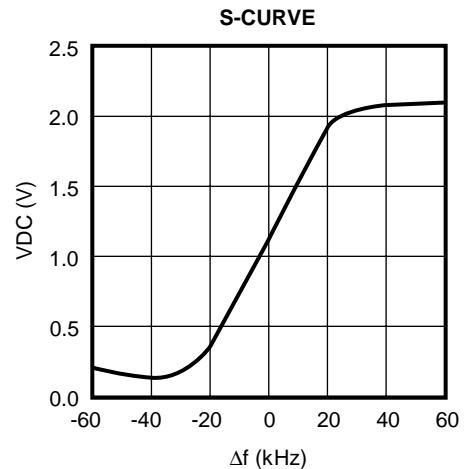
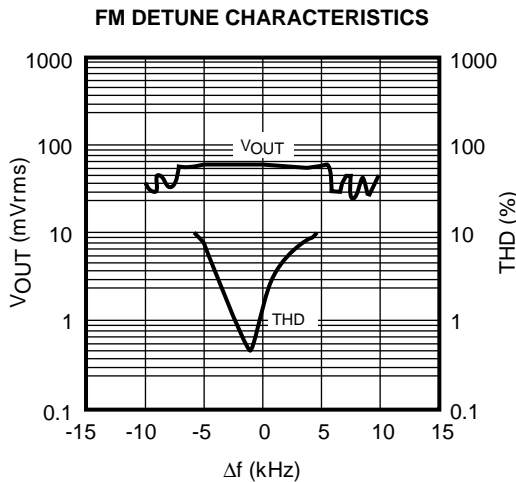
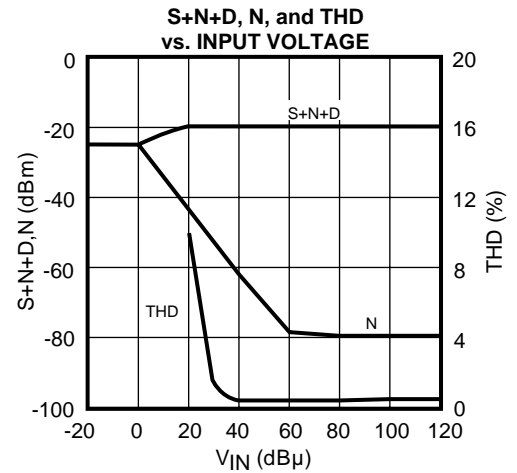
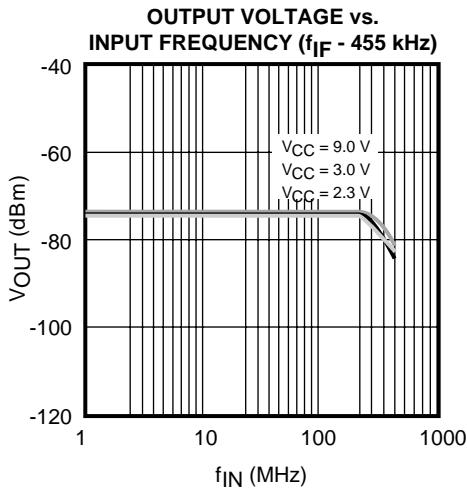
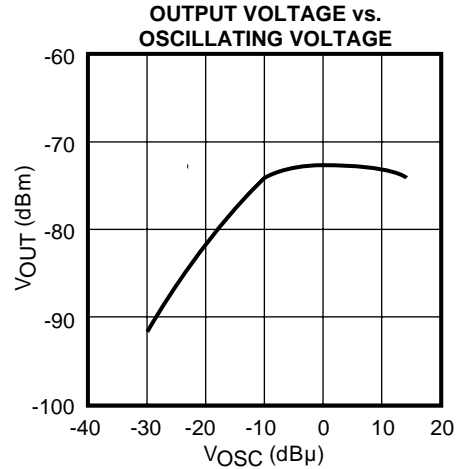
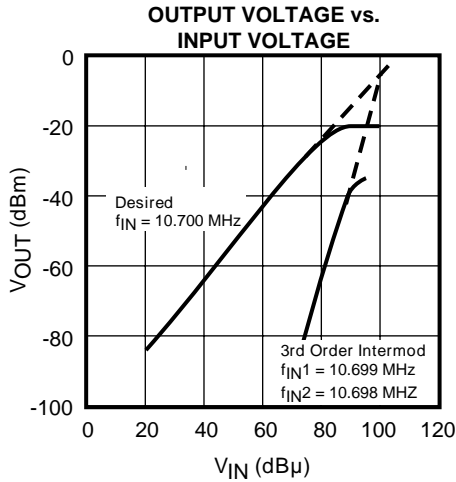
Note 2: If the ambient temperature falls below -10 °C, the harmonic distortions of the AM detector output are increased; the minimum operation voltage will be set to 2.7 V.

**TK10931V ELECTRICAL CHARACTERISTICS (CONT.)**Test Conditions:  $V_{CC} = 3.0\text{ V}$ ,  $T_A = 25\text{ }^\circ\text{C}$ , unless otherwise specified.

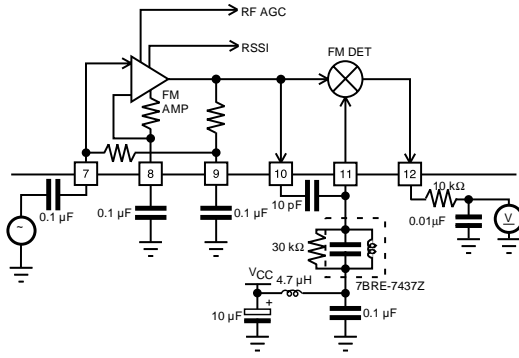
SYMBOL	PARAMETER	TEST CONDITIONS	MIN	TYP	MAX	UNITS
<b>AM PORTION</b>						
S	Sensitivity	Input Level when Output Level = 20 mVrms		16	23	dB $\mu$
$V_{OUT(DET)2}$	Demodulation Output Voltage	1 kHz 30%, $V_{IN} = +60\text{ dB}\mu$	35	50	65	mV
THD2	Total Harmonic Distortion 2	1 kHz 30%, $V_{IN} = +60\text{ dB}\mu$		1.0	2.0	%
THD3	Total Harmonic Distortion 3	1 kHz 80%, $V_{IN} = +60\text{ dB}\mu$		2.0	4.0	%
$vol_{(AGC)}$	AGC Amplifier Output Level	Non Modulation $V_{IN} = +60\text{ dB}\mu$	500			mV <sub>P-P</sub>
$V_{OFF}$	AM OFF Voltage		-0.3		0.3	V
$V_{ON}$	AM ON Voltage		$0.8V_{CC}$			



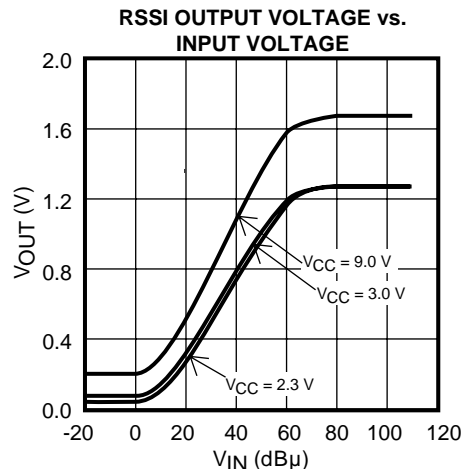
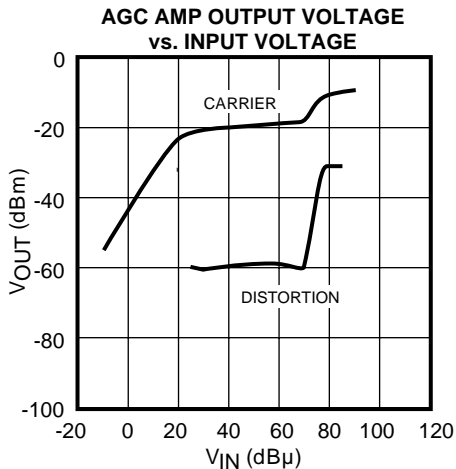
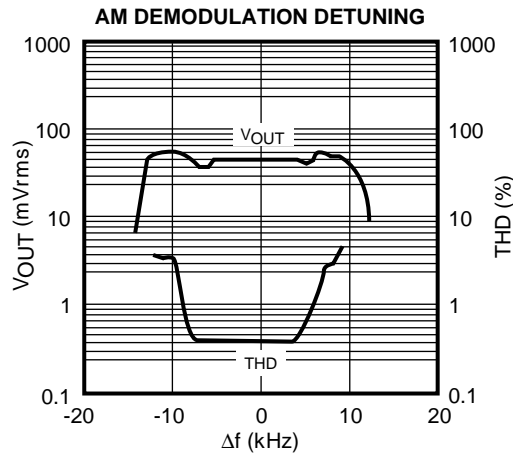
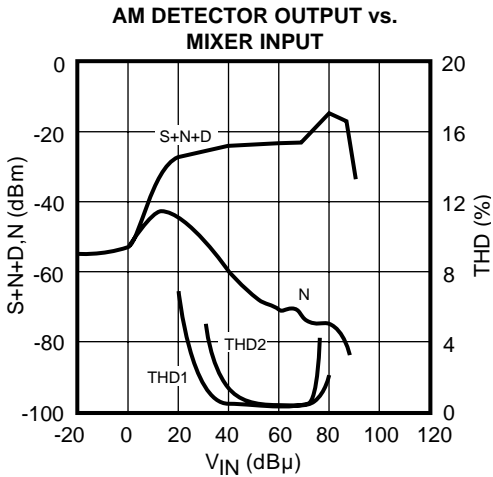
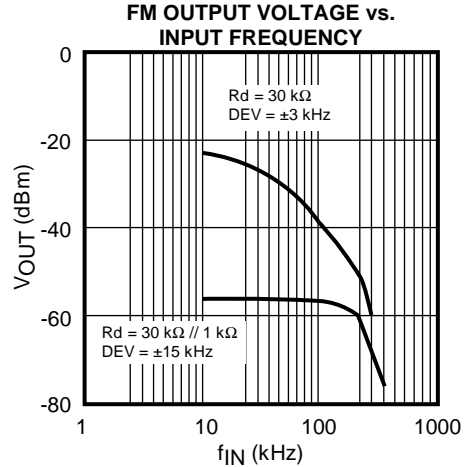
TYPICAL PERFORMANCE CHARACTERISTICS



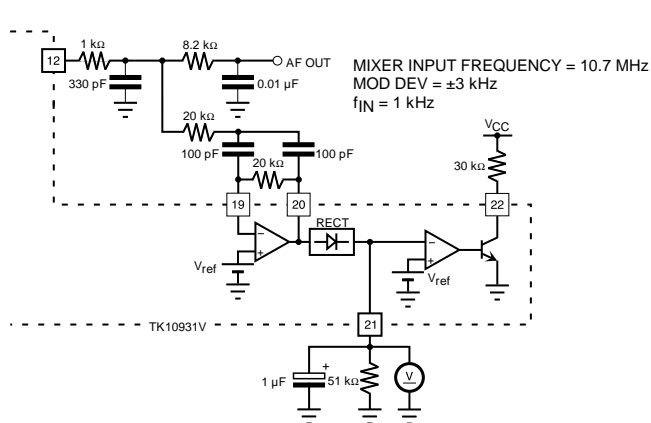
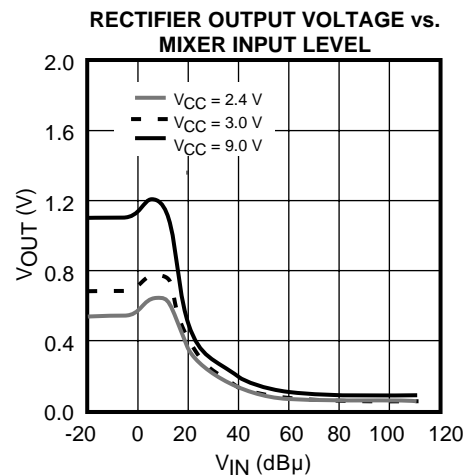
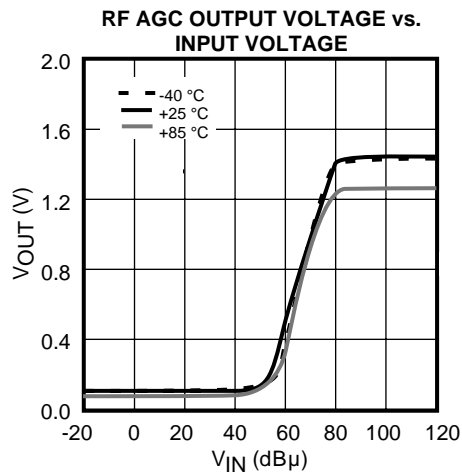
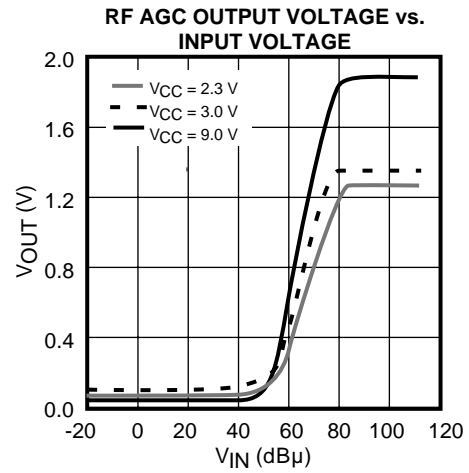
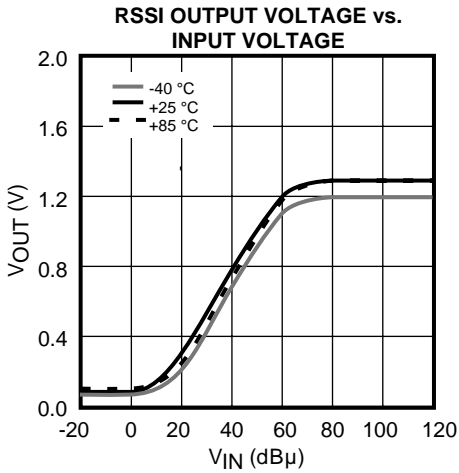
TYPICAL PERFORMANCE CHARACTERISTICS (CONT.)



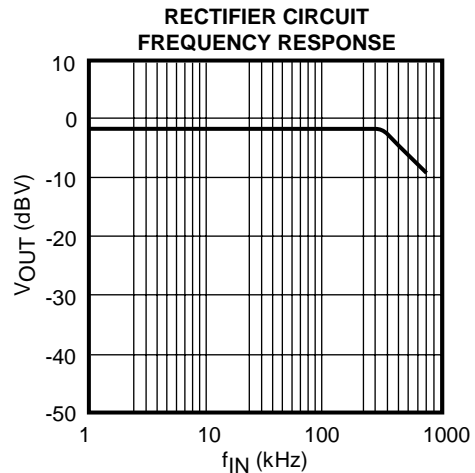
S-CURVE MEASUREMENT CIRCUIT ( $f_{IN} = 455 \text{ kHz}$ )



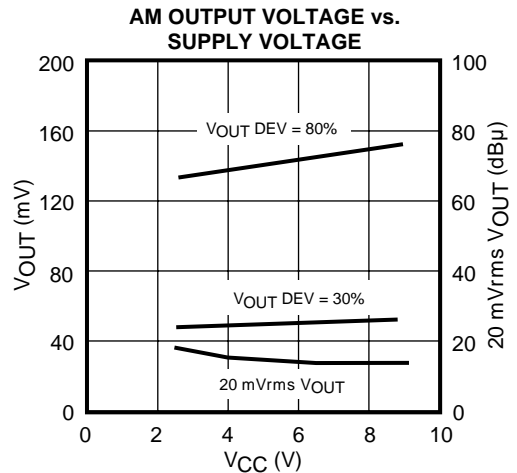
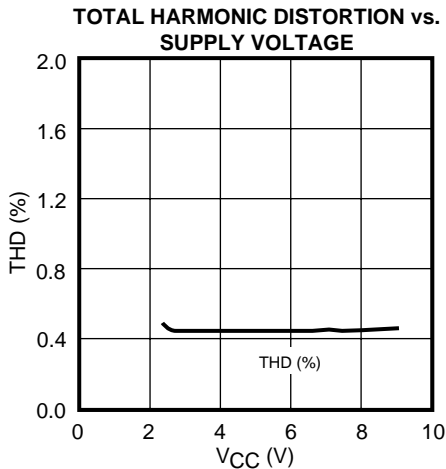
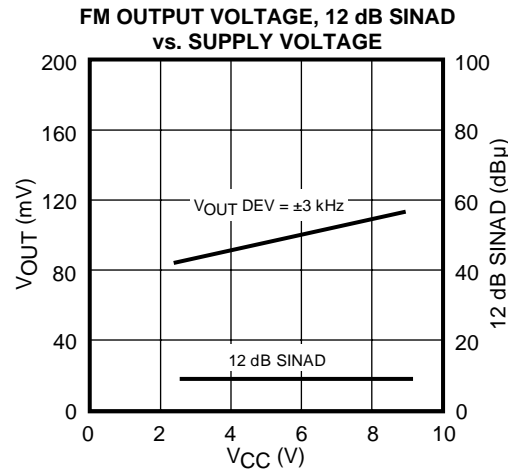
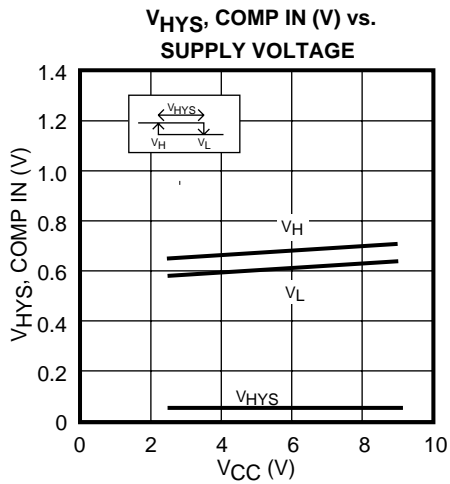
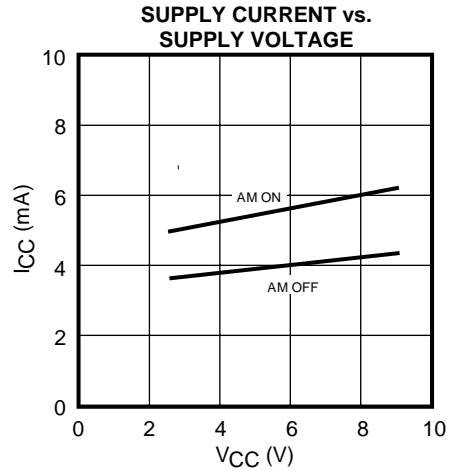
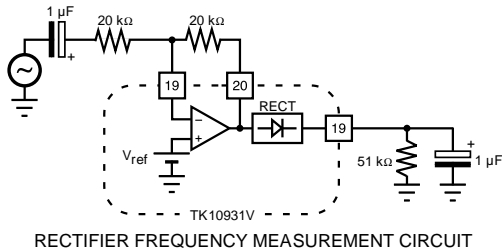
TYPICAL PERFORMANCE CHARACTERISTICS (CONT.)



RECTIFIER VOLTAGE MEASUREMENT CIRCUIT

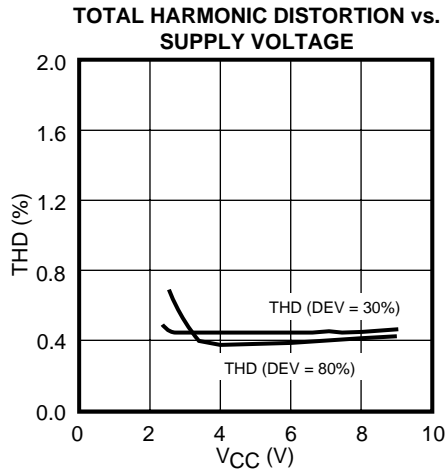


TYPICAL PERFORMANCE CHARACTERISTICS (CONT.)

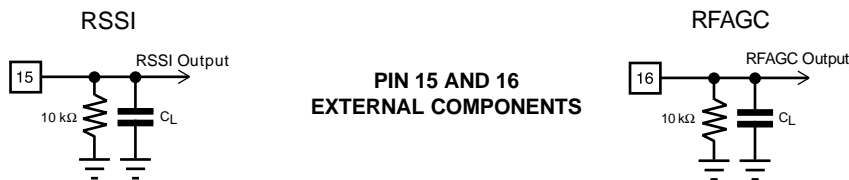




**TYPICAL PERFORMANCE CHARACTERISTICS (CONT.)**



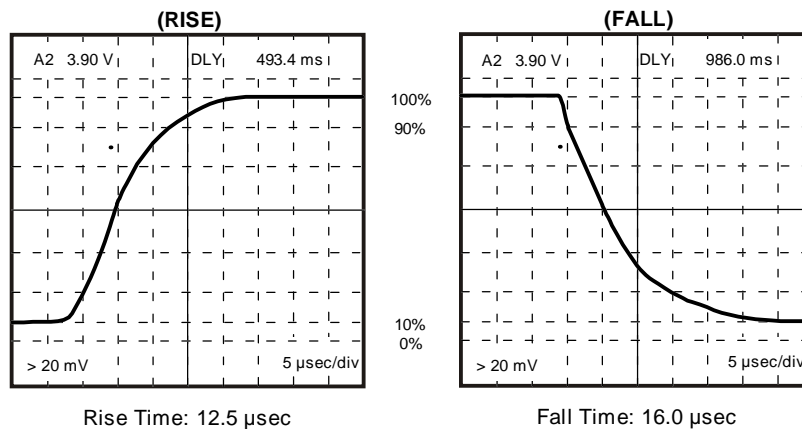
**RSSI, RFAGC TRANSIENT RESPONSE**



**RSSI ON/OFF**

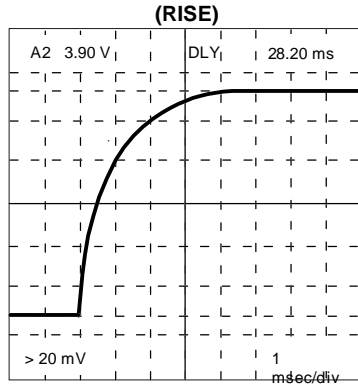
**RSSI OUTPUT VOLTAGE TRANSIENT RESPONSE (MIXER INPUT ON/OFF)**

•  $C_L = 560 \text{ pF}$

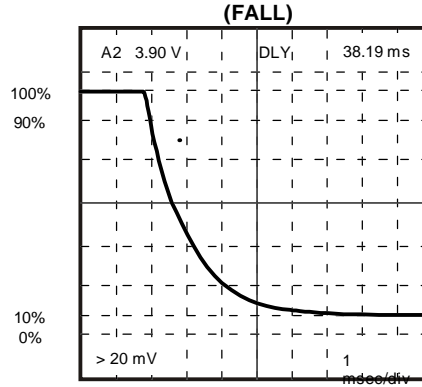


RSSI ON/OFF (CONT)

•  $C_L = 0.1 \mu F$



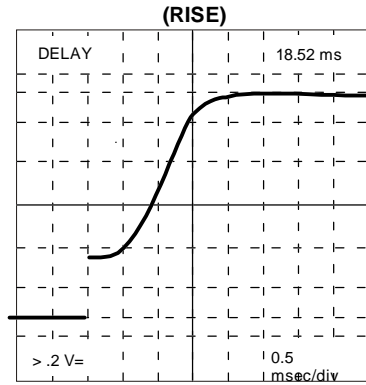
Rise Time: 2.0 msec



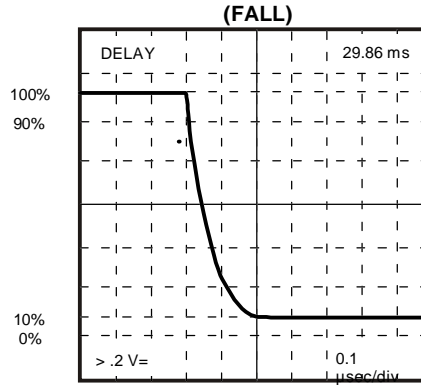
Fall Time: 2.2 msec

RSSI OUTPUT VOLTAGE TRANSIENT RESPONSE (POWER SUPPLY VOLTAGE ON/OFF)

•  $C_L = 560 \text{ pF}$

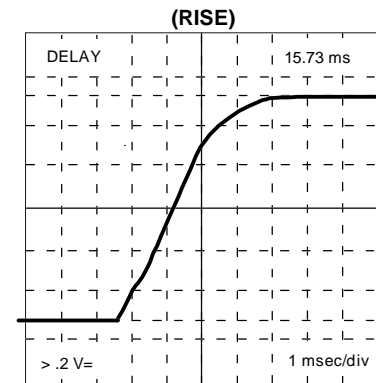


Rise Time: 1.1 msec

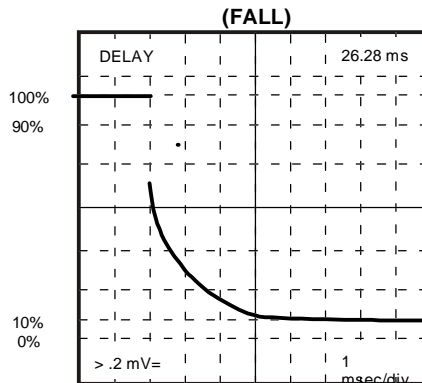


Fall Time: 12.0  $\mu$ sec

•  $C_L = 0.1 \mu F$



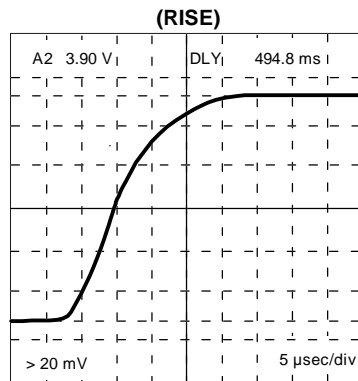
Rise Time: 2.6 msec



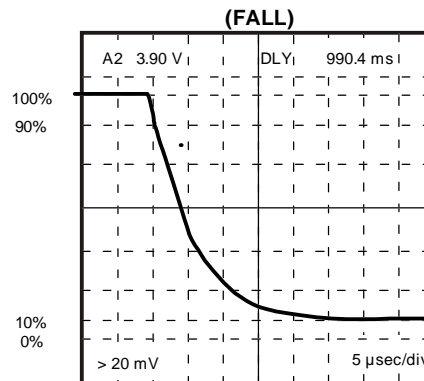
Fall Time: 1.6 msec

## RFAGC ON/OFF

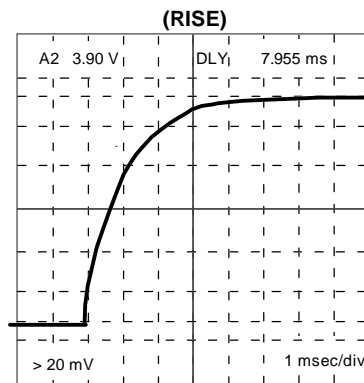
## RFAGC OUTPUT VOLTAGE TRANSIENT RESPONSE (MIXER INPUT ON/OFF)

•  $C_L = 560 \text{ pF}$ 

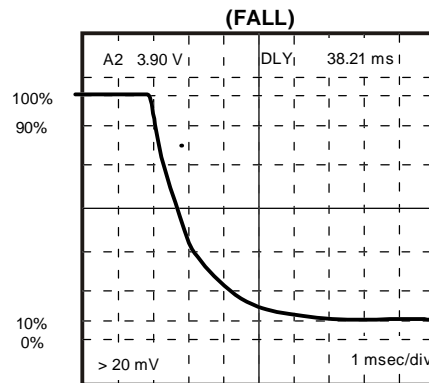
Rise Time: 12.5 μsec



Fall Time: 13.0 μsec

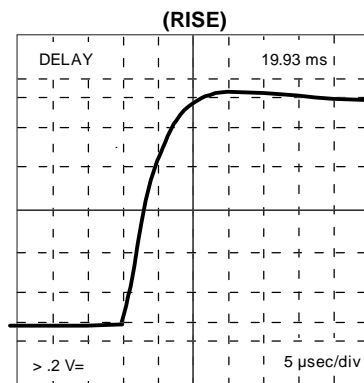
•  $C_L = 0.1 \text{ μF}$ 

Rise Time: 2.2 msec

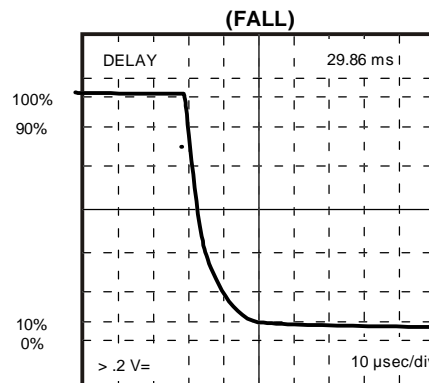


Fall Time: 2.2 msec

## RFAGC OUTPUT VOLTAGE TRANSIENT RESPONSE (POWER SUPPLY VOLTAGE ON/OFF)

•  $C_L = 560 \text{ pF}$ 

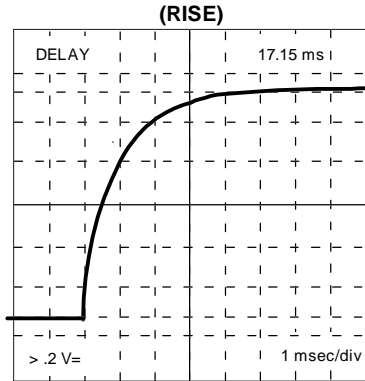
Rise Time: 8.0 μsec



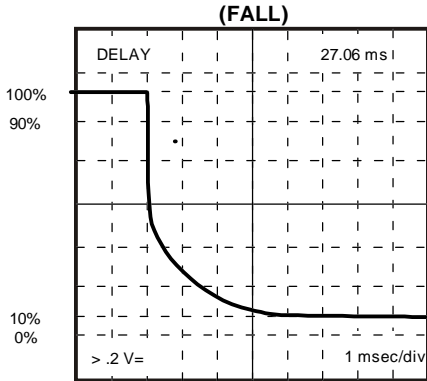
Fall Time: 12.0 μsec

RFAGC ON/OFF (CONT)

•  $C_L = 0.1 \mu F$



Rise Time: 2.2 msec



Fall Time: 1.6 msec

## PIN FUNCTION DESCRIPTION

PIN NO.	SYMBOL	VOLTAGE	INTERNAL EQUIVALENT CIRCUIT	DESCRIPTION
1 2	OSC(B) OSC(E)	2.98 V 2.2 V		Pins 1 and 2 can be used to build a colpitts type oscillator. The emitter-follower operating current can be increased by connecting an external resistor between Pin 2 and GND when the load is heavy. Inject the oscillating signal into Pin 1 by capacitive decoupling with Pin 2 OPEN when an external oscillator is used instead of the internal oscillator.
3	MIX OUTPUT	1.6 V		Mixer Output Terminal. The output impedance is approximately 1.8 kΩ.
4	V <sub>CC</sub>	3.0 V		Power Supply Terminal
5	AM IF INPUT	1.9 V		AM AGC Amplifier Signal Input Terminal
6	DECOUPLING	1.2 V		AM AGC Amplifier Decoupling Terminal
7 8 9	FM IF INPUT DECOUPLING DECOUPLING	2.0 V 2.0 V 2.0 V		Pin 7 is the FM IF Limiter Amplifier Signal Input Terminal. The input impedance is approximately 1.8 kΩ. Pins 8 and 9 are the FM Limiter Amplifier Decoupling Terminals.

**PIN FUNCTION DESCRIPTION (CONT.)**

PIN NO.	SYMBOL	VOLTAGE	INTERNAL EQUIVALENT CIRCUIT	DESCRIPTION
10	LIM OUTPUT	2.0 V		<p>FM Limiter Amplifier Signal Output Terminal. This pin connects to the phase shifter circuit.</p>
11	QUAD INPUT	3.0 V		<p>The Phase Shifter Connecting Terminal</p>
12	FM DET OUTPUT	1.3 V		<p>FM Detected Signal Output Terminal</p>
13	AM DET	1.3 V		<p>AM Detected Signal Output Terminal</p>
14	AM SW			<p>AM AGC Amplifier ON/OFF Control Terminal. The AM IF, AGC, and Detector circuits are in the active state when Pin 14 is pulled up to <math>V_{CC}</math>. The AM IF, AGC, and Detector circuits are in the standby state when Pin 14 is pulled down to GND.</p>
15	RSSI OUTPUT			<p>RSSI Signal Output Terminal</p>

## PIN FUNCTION DESCRIPTION (CONT.)

PIN NO.	SYMBOL	VOLTAGE	INTERNAL EQUIVALENT CIRCUIT	DESCRIPTION
16	RF AGC OUTPUT			RF AGC Signal Output Terminal
17	AGC AMP OUTPUT	1.1 V		AM AGC Amplifier Signal Output Terminal. Maximum output current is up to 1 mA.
18	AM AGC INPUT			AM AGC Amplifier Gain Control Terminal
19	NOISE AMP INPUT	1.5 V		Noise Amplifier Signal Input Terminal for the Squelch
20	NOISE AMP OUTPUT	1.5 V		Noise Amplifier Signal Output and Rectifier Circuit Signal Input Terminal for the Squelch
21	COMP INPUT			Rectifier Circuit Signal Output and Comparator Signal Input Terminal for Squelch

## PIN FUNCTION DESCRIPTION (CONT.)

PIN NO.	SYMBOL	VOLTAGE	INTERNAL EQUIVALENT CIRCUIT	DESCRIPTION
22	COMP OUTPUT			Comparator Signal Output Terminal for Squelch
23	GND	0 V		GND Terminal
24	RF INPUT	1.0 V		Mixer Signal Input Terminal



## CIRCUIT DESCRIPTION

The TK10931V has various functions that include a mixer up to 150 MHz, and independent AM IF and FM IF stages. This makes the TK10931V suitable for a communications receiver as described in the following.

The FM-IF stage is always in operation, but the AM-IF stage is available with an ON/OFF function.

The AM-IF signal is available from a buffered output in front of the AM detector. Its output signal is available for an external detector such as a product detector.

In addition, the RF AGC output for an external RF stage and a built-in rectifier for noise squelch are available. As a result, the application circuit can be simple.

The RSSI output is implemented with wide dynamic range and excellent temperature characteristics.

The Mixer is implemented with wide dynamic range in spite of high gain.

### (1) Mixer, Oscillator

The Mixer consists of a Gilbert multiplier, Oscillator, and IF amplifier.

The Mixer circuit is optimized, resulting in a wide dynamic range in spite of a high transfer gain (22 dB).

The Noise Figure is approximately 10 dB under input impedance matching conditions.

The frequency response as a function of input impedance is shown in Figure 1.

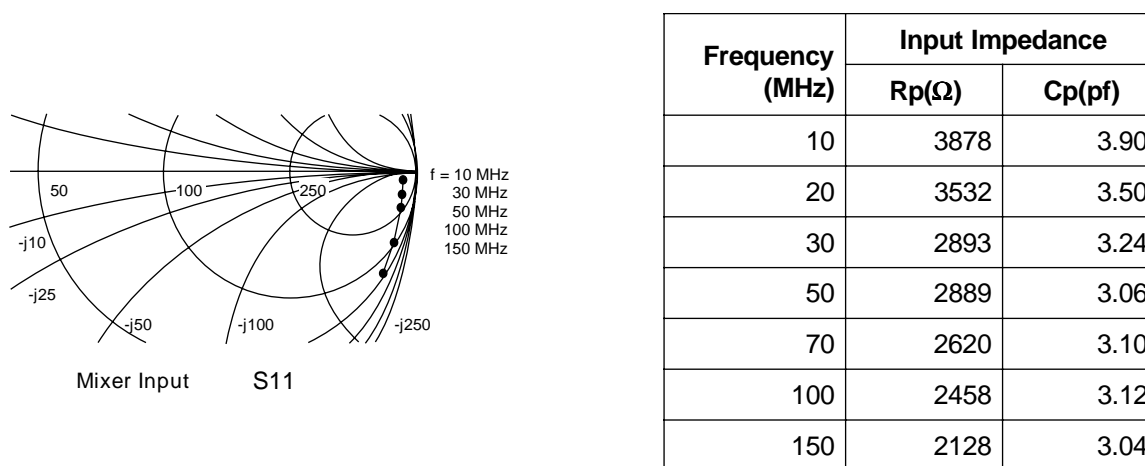


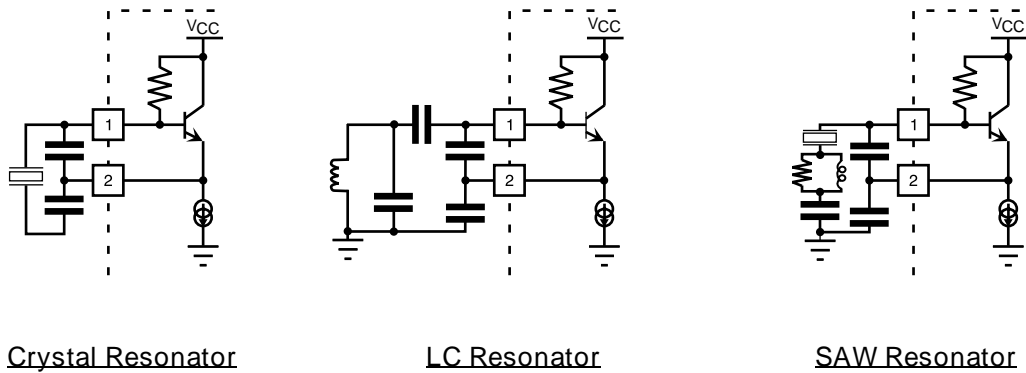
FIGURE 1

The built-in oscillator circuit consists of a general Colpitts type oscillator with the collector grounded. The operating current of the oscillator is 100  $\mu$ A.

As shown later, operating above tens of MHz is possible by increasing the Gm of the oscillator with an externally connected resistor.

Figure 2 illustrates general Colpitts type oscillators. Various resonators may be used, for instance, L/C, crystal, ceramic, SAW, and others.

**CIRCUIT DESCRIPTION (CONT.)**

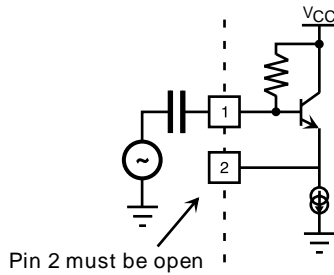


**FIGURE 2: EXAMPLES FOR COLPITTS TYPE OSCILLATOR**

**External Injection**

If an external oscillator is used instead of the internal oscillator, inject the oscillating signal into Pin 1 by a capacitor connection. Pin 2 must be opened, as shown in Figure 3.

In this case, the multiplier sees the oscillator being operated as an emitter follower.



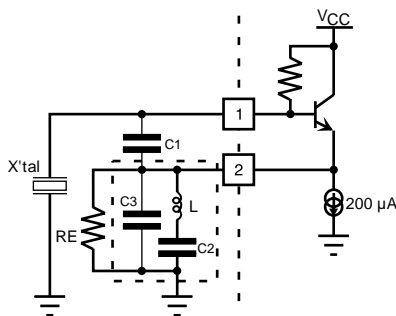
**FIGURE 3: EXAMPLE FOR EXTERNAL OSCILLATOR**

**Overtone Oscillation**

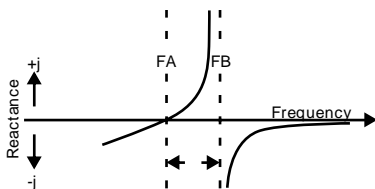
When operating an overtone oscillation above 30 MHz using a crystal resonator, design using the circuit shown in Figure 5 to reduce the fundamental mode.

When the operation frequency is higher, it is possible that the Gm of the oscillator may be insufficient and the oscillating amplitude will be down. This can be improved by connecting an external resistor between Pin 2 and GND to increase the operating current.

**CIRCUIT DESCRIPTION (CONT.)**



**FIGURE 4: EXAMPLE FOR OVERTONE OSCILLATION**



**FIGURE 5**

The constants of the circuit in the dotted line of Figure 4 establish that the condition of oscillation is met for the 3rd overtone frequency only.

Figure 5 shows the characteristics of the impedance of the two terminals versus frequency of this circuit.

The condition of oscillation is the capacitance at the overtone frequency and the inductance at near-fundamental frequency. Therefore, when it is established that the fundamental frequency is included between FA and FB and that the overtone frequency is above FB, the condition of 3 times overtone is:

$$F(\text{osc}) > F_A \qquad 3 \times F(\text{osc}) > F_B,$$

$$F_A = \frac{1}{2\pi \sqrt{LC_3}} \qquad F_B = F_A \sqrt{1 + \frac{C_2}{C_3}}$$

F(osc) is the fundamental frequency of the crystal resonator.

3 x F(osc) is the 3rd overtone frequency of the crystal resonator.

Moreover, it is established that the series value of the equivalent capacitance of the circuit is in the dotted line of Figure 4 and capacitance C1 is the load capacitance of the crystal resonator.

When the operating current of the oscillator is insufficient, increase Gm of the oscillator by the external resistor RE. In this case, the increased operating current (Ie) of the oscillator is calculated by the following:

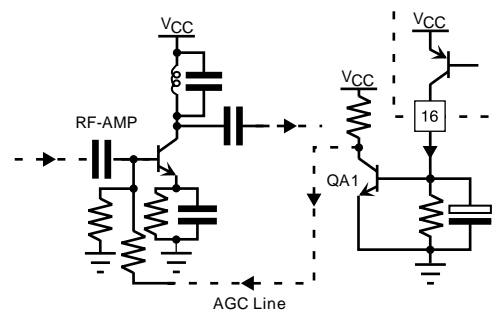
$$I_e(\text{mA}) = \frac{V_{CC}(\text{V}) - 0.7}{R_E(\text{K}\Omega)}$$

**(2) RF AGC Output**

For manufacturers with equipment requiring external RF amplifiers, etc., the RF-AGC output terminal is readily available. Because this AGC output is picked out from the first stage of the FM-IF portion, the AGC output is not affected by the AM switch when stopping the AM-IF operation. Therefore, when receiving an FM signal, its output contributes to improving strong input characteristics.

Its output is implemented as a current output from the collector of the PNP-transistor. Therefore, its current is converted into a voltage with an external resistor.

A composite example is shown as Figure 6. A receiver circuit example in CB radios is shown at "CB Radio Application" of the Application Information section. The example in Figure 6 controls the gain by changing the bias voltage of the RF-AMP with the output of transistor QA1 that is driven with the RF-AGC output of Pin 16.



**FIGURE 6: EXAMPLE FOR EXTERNAL AGC AMPLIFIER**

## CIRCUIT DESCRIPTION (CONT.)

### (3) FM-IF Limiter Amplifier, RSSI

The IF limiter amplifier is composed of 6 differential gain stages. The total gain of the IF limiter amplifier is 80 dB at 455 kHz. The output signal of the IF limiter amplifier is provided at Pin 10 through the emitter-follower output stage. The IF limiter amplifier output level is  $0.5 V_{P-P}$ . The operating current of the emitter-follower at the IF limiter amplifier is  $200 \mu\text{A}$ .

If the capacitive load is heavy, the negative half cycle of the output waveform may be distorted. This can be improved by connecting an external resistor between Pin 10 and GND to increase the operating current. The increased operating current by an external resistor is calculated as follows (see Figure 7):

The increased operating current  $I_e(\text{mA}) = (V_{CC} - 1.0) / R_e(\text{k}\Omega)$

The RSSI output is a current output. It is converted to a voltage by an external resistor connected between Pin 15 and GND. The time constant of the RSSI output is determined by the product of the external converting resistance and the parallel capacitance. When the time constant is longer, the RSSI output response is slower. Determine the external resistance and capacitance by the application. The slope of the RSSI curve characteristics can be changed by changing the external resistance. In this case, the maximum range of converted RSSI output voltage is from GND level to about  $V_{CC} - 0.2 \text{ V}$  (the supply voltage minus the collector saturation voltage of the output transistor). In addition, the temperature characteristic of the RSSI output voltage can be changed by changing the temperature characteristic of the external resistor. Normally, the temperature characteristic of the RSSI output voltage is very stable when using a carbon resistor or metal film resistor with a temperature characteristic of 0 to  $200 \text{ ppm}/^\circ\text{C}$ .

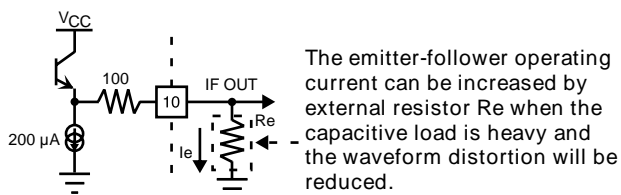


FIGURE 7

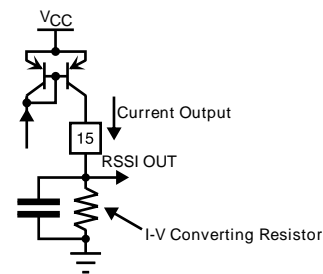


FIGURE 8: RSSI OUTPUT EQUIVALENT CIRCUIT

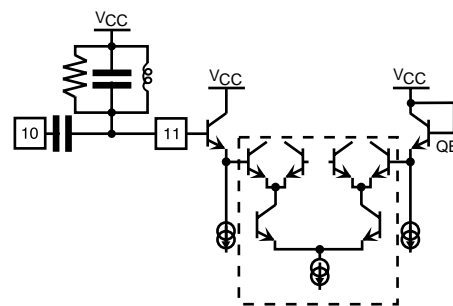
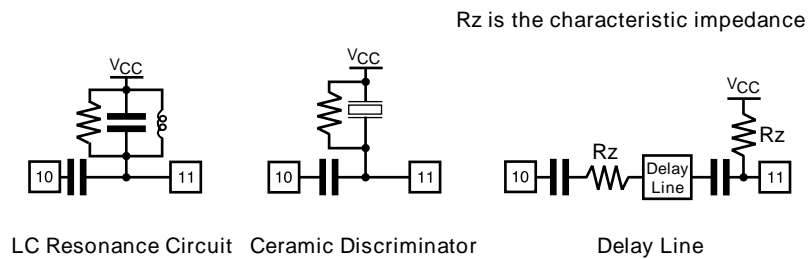


FIGURE 9: FM DETECTOR EQUIVALENT CIRCUIT

### (4) FM Detector

The FM detector is included in the Quadrature FM detector using a Gilbert multiplier. The phase shifter is connected between Pin 10 (IF limiter output) and Pin 11 (detector input), with any available phase shifter. A phase shifter can be used such as the LC resonance circuit, the ceramic discriminator, and the delay line. Figure 11 shows the internal equivalent circuit of the detector. The signal from the phase shifter is applied to the multiplier (in the dotted line) through emitter-follower stage QA. Note that Pin 11 must have the bias voltage impressed from an external source, because Pin 11 is connected with the base of QA only. Because the base of QB of the opposite side is connected with the supply voltage, Pin 11 has to be biased with the equivalent voltage. Using an LC resonance circuit is not a problem (see Figure 10), but attention must be paid when using a ceramic discriminator. If the base voltages are different, the DC voltage of the multiplier does not balance. This alters the DC zero point or worsens the distortion of the demodulation output. The Pin 11 input level should be saturated at the multiplier, if this level is lower, it is easy to disperse the detector output. Therefore, to be in stable operation, the Pin 16 input level should be higher than  $100 \text{ mV}_{P-P}$ . Figure 10 shows examples of phase shifters.

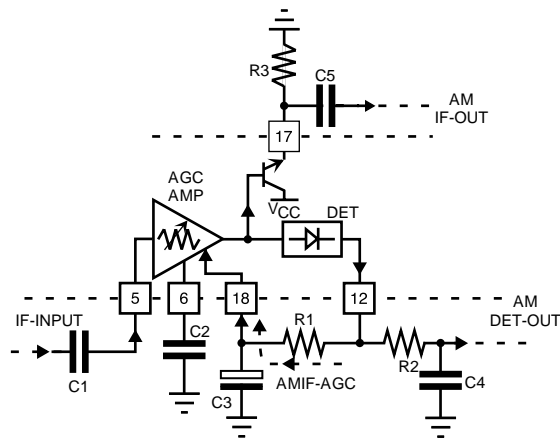
## CIRCUIT DESCRIPTION (CONT.)



**FIGURE 10: EXAMPLES OF PHASE SHIFTERS**

### (5) AM IF Block

The AM IF block is shown in Figure 11. This block is composed of three blocks: the IF AGC amplifier, the AM IF output, and the AM detector. The AGC range is approximately 50 dB.



**FIGURE 11: AM IF EQUIVALENT CIRCUIT**

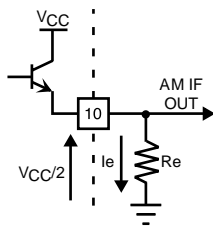
### The AM IF Input Impedance

The AM IF input terminal (Pin 5) is independent of the FM IF input terminal (Pin 7). Respectively different filters for the FM IF and AM IF can be used. The input impedance of the AM IF input terminal (10k $\Omega$ ) is higher than the FM IF input terminal (1.5 k $\Omega$ ). Although the AM IF input terminal and the FM IF input terminal are connected in parallel AC wise, when using common IF filters, it is only necessary to use the FM IF input impedance to determine the termination impedance of the common IF filter.

### AM IF-AGC

Pin 18 is the IF AGC control input terminal. Usually this terminal is connected with the AM detector output terminal (Pin 12) through the ripple filter composed of R1 and C3. The time constant ( $T = R1 \times C3$ ) for the ripple filter is generally selected to be 5 to 10 times larger than the lowest cycle of the AM modulation element. Pin 18 can also be controlled by an external DC source instead of the AM detector output signal. Pin 6 is the decoupling capacitor for the AM IF bias circuit.

**CIRCUIT DESCRIPTION (CONT.)**



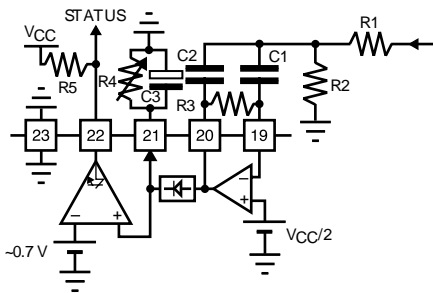
**FIGURE 12: AM IF OUTPUT EQUIVALENT CIRCUIT**

**AM IF-Output**

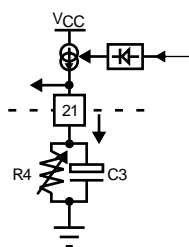
The output from Pin 17 is done through a buffer in front of the AM detector for an AM IF signal that is a fixed amplitude output. Therefore, it is possible to do various applications. This output is an emitter-follower type; the operating current is determined by the resistor connected between the output terminal (Pin 17) and GND. Because the DC voltage at Pin 17 is set up as 1/2 the supply voltage, the operating current can be computed as follows:

$$I_e = V_{CC}/2R_e$$

With 22 kΩ (standard value), the operating current is 70 μA at V<sub>CC</sub> = 3 V. Connecting a heavy load increases distortion of the minum half cycle side; decrease the resistance to increase the operating current.



**FIGURE 13: NOISE SQUELCH EQUIVALENT CIRCUIT**



**FIGURE 14: FULL-WAVE RECTIFIER EQUIVALENT CIRCUIT**

**(6) Noise Squelch Circuit**

This product is equipped with built-in noise squelch circuitry. It is composed of the Filter amplifier, Full-wave Rectifier circuit, and the Comparator. Figure 13 illustrates the Noise Squelch Equivalent Circuit. Figure 14 illustrates the Full-wave Rectifier Circuit.

First, the FM detector output is amplified and the noise element is selected by the Band-Pass Filter that is composed with the built-in amplifier. The noise element is rectified by the built-in full-wave recitifier, resulting in a current output from Pin 21. The current output is filtered and converted to a voltage with resistor R4 and capacitor C3 connected between Pin 21 and GND. The rectified voltage is compared with the built-in reference voltage. The comparator output is provided at Pin 22. Because the comparator output is an open collector output, a pull-up resistor is required. To prevent chatter at the output, the comparator has hysteresis of approximately 70 mV.

The Band-Pass Filter is comprised of the built-in filter amplifier for selective noise amplification. Its circuit is the general Sallen-Key type as shown in Figure 13. The constants can be computed as follows.

That is

- C1 = C2 = C
- F0: Center frequency for BPF
- Q: Q for BPF
- Av: Gain for BPF center frequency

The rectifier circuit, shown in Figure 14, is implemented with a current output as mentioned previously. The rectification voltage value can be modified by changing the value of the converting resistor R4. The maximum value for its voltage, determined by the power supply voltage, is up to V<sub>CC</sub>-0.2 V. Since the threshold voltage of the built-in comparator is fixed at 0.7 V, it is possible to adjust the squelch sensitivity by changing the value of R4. In actuality, in order to absorb the deviation for the whole product, the use of a trimmen resistor is recommended. Pick up the noise signal for the detector before the de-emphasis circuit.

## CIRCUIT DESCRIPTION (CONT.)

### (7) AM-ON/OFF Circuit

This IC provides an ON/OFF function for the AM block. Because this was necessary for the stand-by state for the AM block, it can be used as a power-save operation. The input part equivalent circuit is shown in Figure 15.

By directly controlling the transistor-base as shown in the equivalent circuit, the AM portion ON/OFF input control is possible below a very small current of 50  $\mu$ A. Regarding Pin 14, the AM portion is in operation at 2 V and above; it is in non-operation at 0.2 V and below. In non-operation, the consumption current is down to approximately 2.4 mA. The circuits that can be non-operational in AM OFF are shown as follows.

Non-operation circuits:

AM IF circuit, AM IF-AGC circuit, AM detector circuit.

Always operating circuits:

RF-AGC output, Noise squelch circuit, Mixer circuit, Local oscillator circuit, FM IF circuit, FM detector circuit.

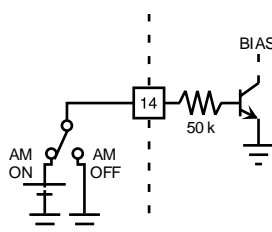


FIGURE 15

### (8) Attention to Pattern Layout

This product will provide stable operation. However, when using this product, pay attention to the following (1-3) for stable operation because the operating frequency is high. Moreover, the standard application board of this product is shown on page 25.

1. The  $V_{CC}$  terminal capacitor is individually grounded by the shortest distance to a GND terminal.  
VCC Terminal (Pin 4) • GND Terminal (Pin 23)

2. Overall, the IF signal level is higher than other points. Also, this point is the final stage in the limiter amplifier. Therefore, this point easily provides positive feedback to the first stage. Since feedback to the pre-stage depends on radiation, use the shortest distance etch patterns possible.

Feedback through the power supply line from the cold side of the phase shifter is common. To keep the signal level of the phase shifter at its highest, treatment of its cold side is very important.

Grounding the cold side with bypass a capacitor is important. Adding a decoupling circuit that uses a CR or LC is effective. An example is shown in Figure 16.

Avoid using high resistance values in the offset of the multiplier in the FM detector. When using under about 1 k $\Omega$ , there is no effect because the inflow current in Pin 11 is under several  $\mu$ A.

3. When the signal is returned to the mixer from the detector, the stability is at its worst. It is ideal that these peripheral components are provided with different sides of a double-sided board and that the reverse side is the GND pattern.

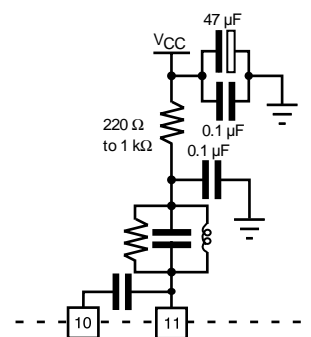
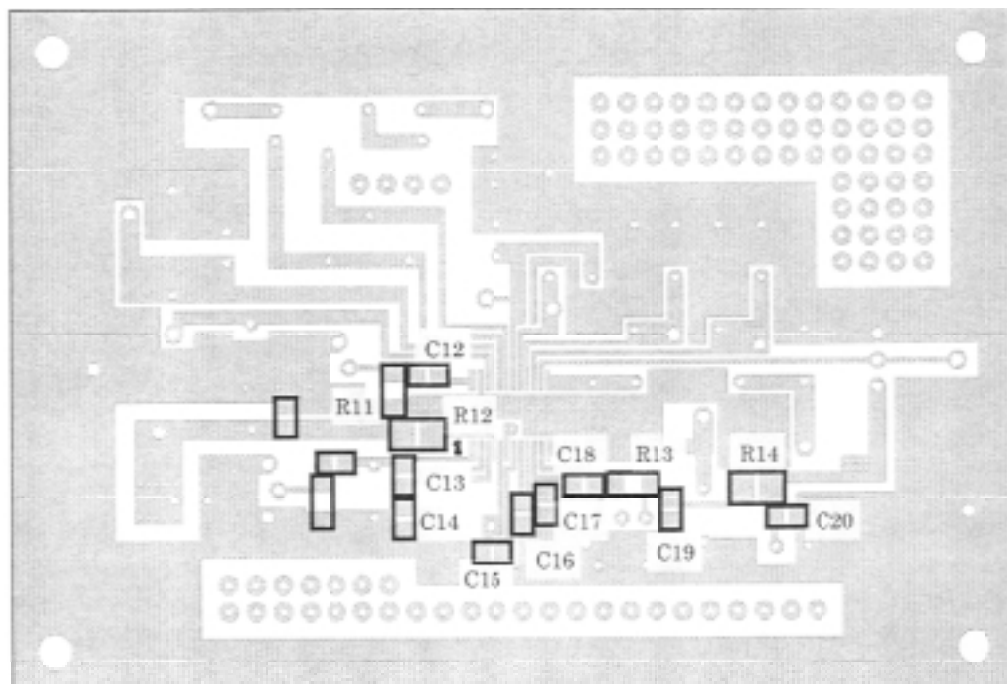
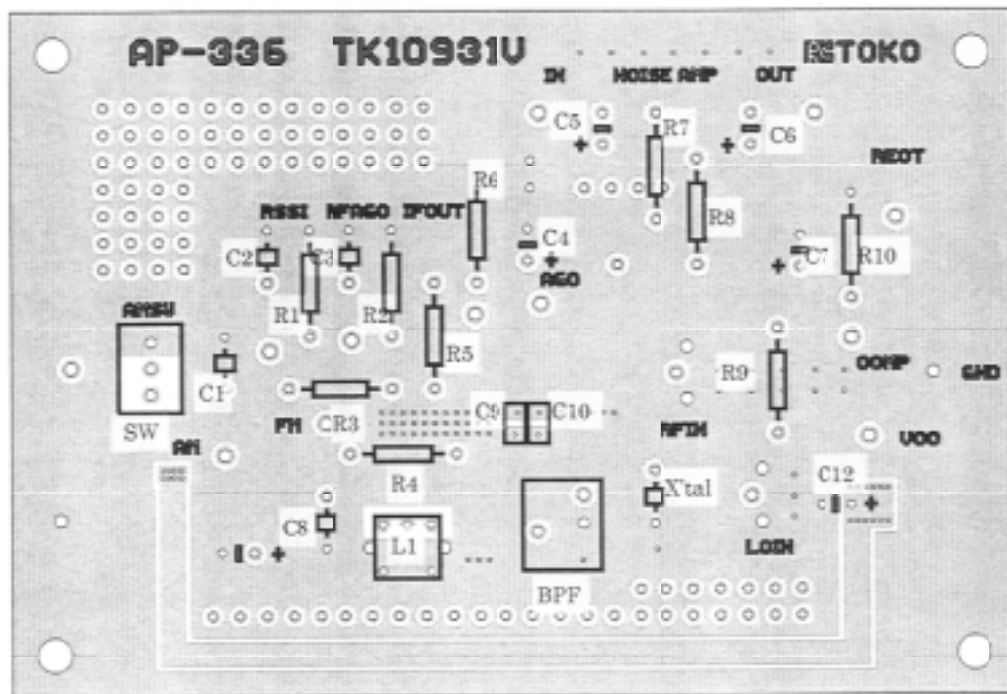


FIGURE 16: EXAMPLE OF STRONG DECOUPLING AROUND THE PHASE SHIFTER

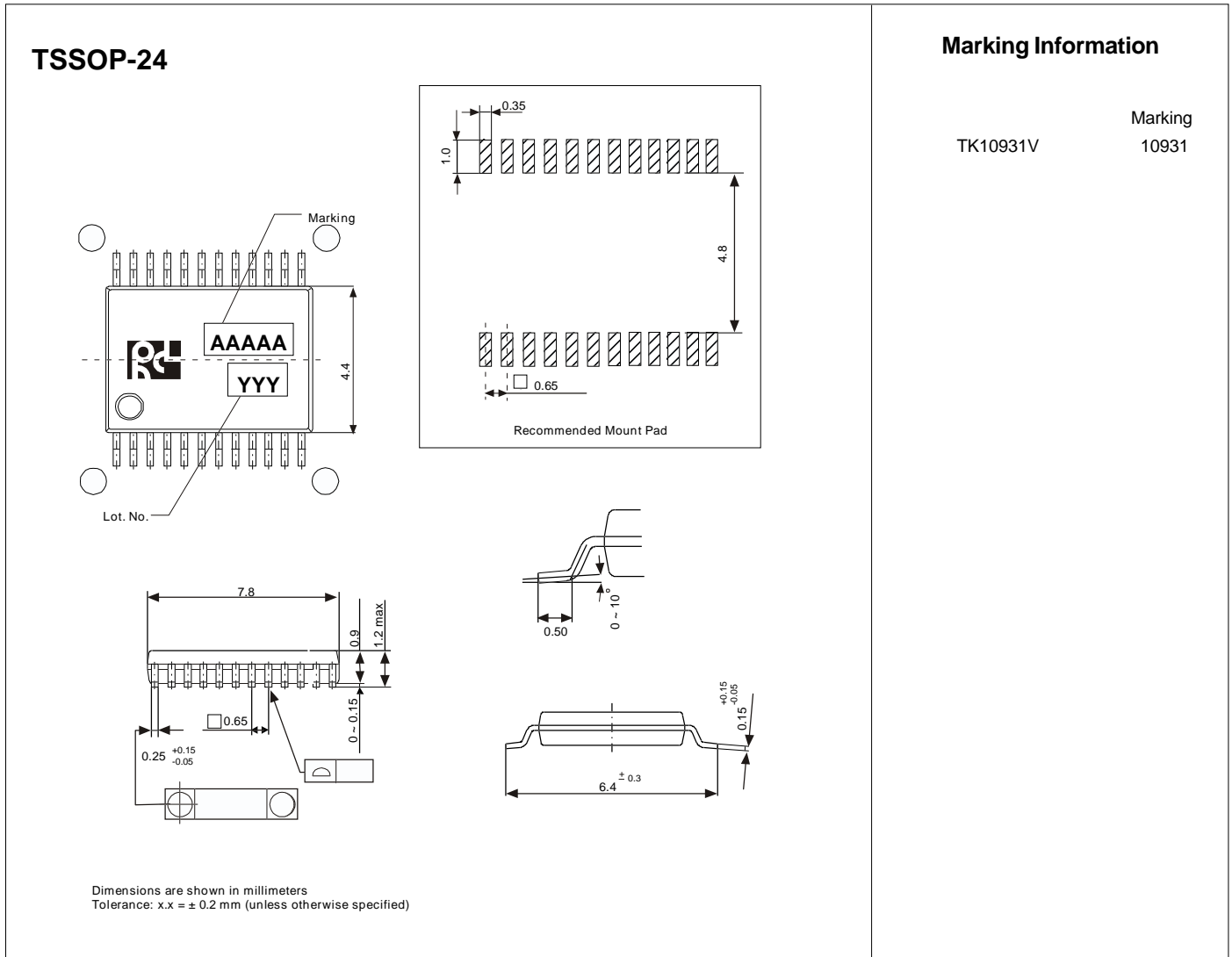




APPLICATION BOARD LAYOUTS



PACKAGE OUTLINE



Toko America, Inc. Headquarters  
1250 Feehanville Drive, Mount Prospect, Illinois 60056  
Tel: (847) 297-0070 Fax: (847) 699-7864

TOKO AMERICA REGIONAL OFFICES

Midwest Regional Office  
Toko America, Inc.  
1250 Feehanville Drive  
Mount Prospect, IL 60056  
Tel: (847) 297-0070  
Fax: (847) 699-7864

Western Regional Office  
Toko America, Inc.  
2480 North First Street , Suite 260  
San Jose, CA 95131  
Tel: (408) 432-8281  
Fax: (408) 943-9790

Semiconductor Technical Support  
Toko Design Center  
4755 Forge Road  
Colorado Springs, CO 80907  
Tel: (719) 528-2200  
Fax: (719) 528-2375

Visit our Internet site at <http://www.tokoam.com>

The information furnished by TOKO, Inc. is believed to be accurate and reliable. However, TOKO reserves the right to make changes or improvements in the design, specification or manufacture of its products without further notice. TOKO does not assume any liability arising from the application or use of any product or circuit described herein, nor for any infringements of patents or other rights of third parties which may result from the use of its products. No license is granted by implication or otherwise under any patent or patent rights of TOKO, Inc.