

Features

- ▶ Part of the FlexRay™ electrical, physical layer
- ▶ Active star coupler connects up to 4 branches (FlexRay™ busses) to nodes or other active stars
- ▶ Support of data rates up to 10 Mbit/s
- ▶ Optional support of low power mode for an ECU
- ▶ Remote wake up via bus line
- ▶ Enhanced diagnosis capability provided via SPI with interrupt generation
- ▶ Protection against overload damage by current limitation and overtemperature detection
- ▶ Bus driver outputs withstand - 27 V / + 40 V DC voltage
- ▶ Low EME due to balanced differential transmission

Applications

- ▶ Star coupler and additionally usable as transceiver in FlexRay™ nodes (ECUs)

Brief Functional Description

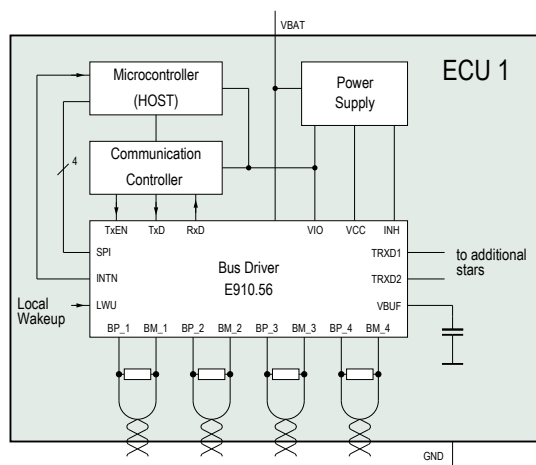
The star coupler is part of the electrical, physical layer in a FlexRay™ communication network. The E910.56 provides interfaces to connect up to four branches of twisted pair physical bus lines to other bus drivers or star couplers. It also interfaces with a communication controller (CC) and a µC. Via SPI the bus driver (BD) provides status information concerning failure detection on the bus lines (e.g. short circuit, ground loss) and overtemperature condition to a host controller (HOST). An interrupt signal is generated whenever the failure status changes.

The device supports normal and standby modes and provides remote wake up capability via bus line. The output (INH) can be used to control an external voltage regulator.

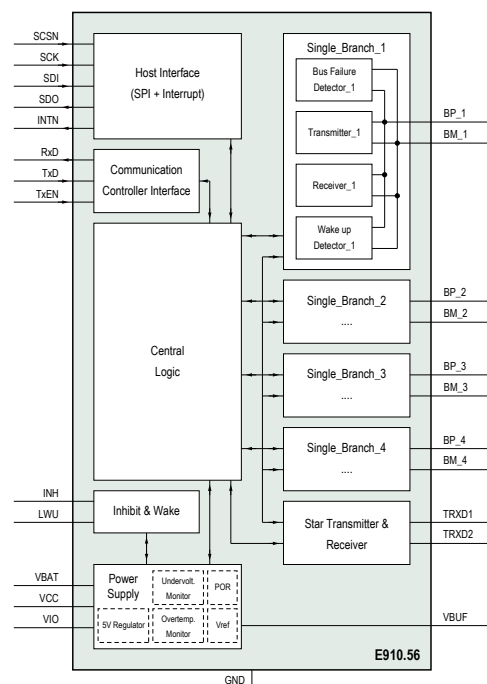


ELMOS is member of the FlexRay consortium

Typical Application



Blockdiagram



ELMOS Semiconductor AG – Headquarters

Heinrich-Hertz-Str. 1 | 44227 Dortmund | Germany
Phone +49 (0) 231-75 49-0 | Fax +49 (0) 231-75 49-149
sales@elmos.de | www.elmos.de

ELMOS Semiconductor AG – Munich Branch

Am Geflügelhof 12 | 85716 Unterschleissheim | Germany
Phone +49 (0) 89- 318 370- 30 | Fax +49 (0) 89- 318 370- 31
sales@elmos.de | www.elmos.de

ELMOS Semiconductor AG – Stuttgart Branch

Max-Eyth-Str. 35 | 71088 Holzgerlingen | Germany
Phone +49 (0) 70 31- 63 19 91 | Fax +49 (0) 70 31- 63 19 97
sales@elmos.de | www.elmos.de

MECHALESS Systems GmbH | A MEMBER OF THE ELMOS GROUP

Technologiepark Karlsruhe | Albert Nestler Str. 10 | 76131 Karlsruhe | Germany
Phone +49 - 721 - 62698 - 00 | Fax +49 - 721 - 62698 - 11
info@mechaless.com

ELMOS North America, inc.

32255 Northwestern Highway Suite 45 | Farmington Hills | MI 48334 | USA
Phone +1- 248 865 32 00 | Fax +1- 248 865 3203
sales-int@elmos.de | www.elmos.de

ELMOS France S.A.

64 bis rue Kléber | 92300 Levallois Perret | France
Phone +33 (0) 1- 46 52 59 59 | Fax +33 (0) 1- 42 42 95 54
sales-int@elmos.de | www.elmos.de

ELMOS Representative in Japan – MUSASHINO Corporation

Tohchiku Bldg. | 2-14-18 | Minato-ku | Tokyo 108-0023 | Japan
Phone +81- 3 - 34 53- 33 51 | Fax +81- 3 - 34 53- 33 50
info@musashinocorp.com

ELMOS Distribution Line – Channel Microelectronic GmbH

Alleenstr. 29/3 | 73730 Esslingen | Germany
Phone +49 - 711 - 930 721 - 30 | Fax +49 - 711 - 930 721 - 40
info@channel-microelectronic.de