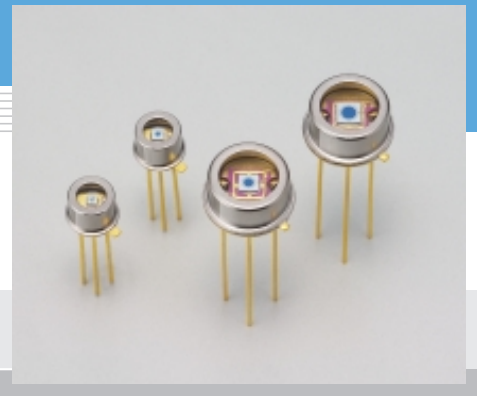


Si APD

S9251 series

High sensitivity in near IR range ($\lambda=900$ nm)



Features

- High sensitivity in near IR range ($\lambda=900$ nm)
- Operational stability

Applications

- Rangefinder
- Spatial light transmission

■ General ratings / Absolute maximum ratings

Type No.	Dimensional outline/ Window material *1	Package	Effective *2		Absolute maximum ratings	
			active area size (mm)	active area (mm ²)	Operating temperature Topr (°C)	Storage temperature Tstg (°C)
S9251-02	①/K	TO-18	φ0.2	0.03	-20 to +85	-55 to +125
S9251-05			φ0.5	0.19		
S9251-10	②/K	TO-5	φ1.0	0.78		
S9251-15			φ1.5	1.77		

■ Electrical and optical characteristics (Typ. Ta=25 °C, unless otherwise noted)

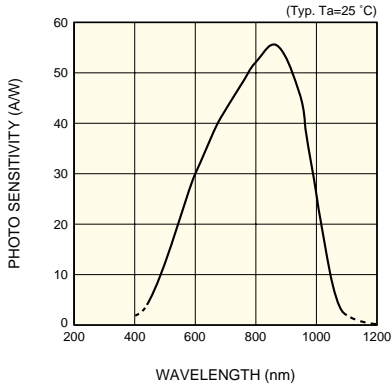
Type No.	Spectral response range λ (nm)	Peak *3 sensitivity wavelength λ_p (nm)	Photo sensitivity S M=1 $\lambda=900$ nm (A/W)	Quantum efficiency QE M=1 $\lambda=900$ nm (%)	Breakdown voltage VBR Id=100 μ A		Temp coefficient of VBR (V/°C)	Dark *3 current Id		Cut-off *3 frequency fc RL=50 Ω (MHz)	Terminal*3 capacitance Ct (pF)	Excess *3 noise figure x $\lambda=900$ nm	Gain M $\lambda=900$ nm
					Typ. (V)	Max. (V)		Typ. (nA)	Max. (nA)				
S9251-02	440 to 1100	860	0.52	72	250	350	1.85	0.1	1	400	0.4	0.3	100
S9251-05								0.2	2		0.7		
S9251-10								0.4	4		1.9		
S9251-15								0.8	8		3.6		

*1: K: borosilicate glass

*2: Area in which a typical gain can be obtained.

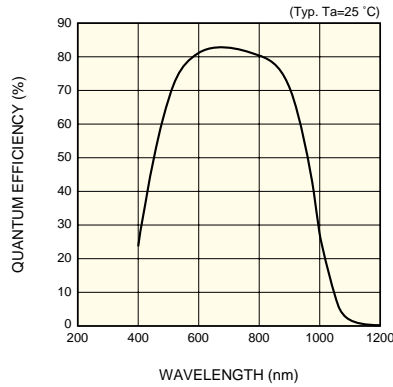
*3: Values measured at a gain listed in the characteristics table.

■ Spectral response (M=100)



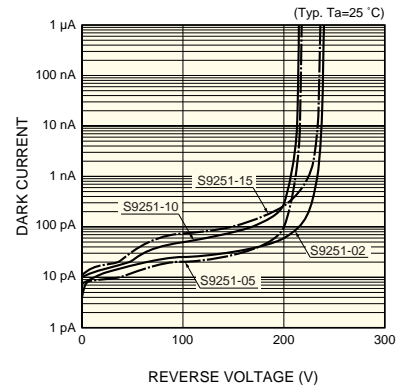
KAPDB0079EA

■ Quantum efficiency vs. wavelength



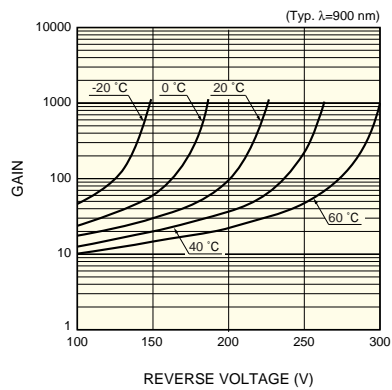
KAPDB0080EA

■ Dark current vs. reverse voltage



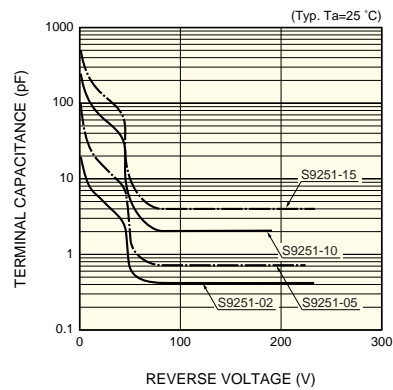
KAPDB0081EA

■ Gain vs. reverse voltage



KAPDB0082EA

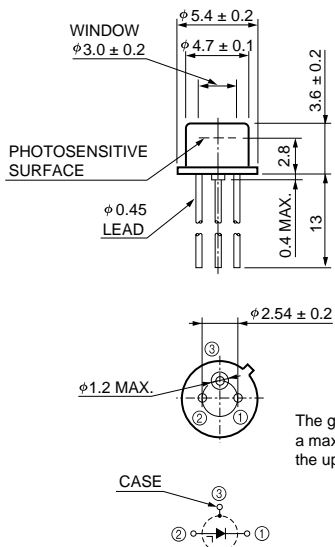
■ Terminal capacitance vs. reverse voltage



KAPDB0083EA

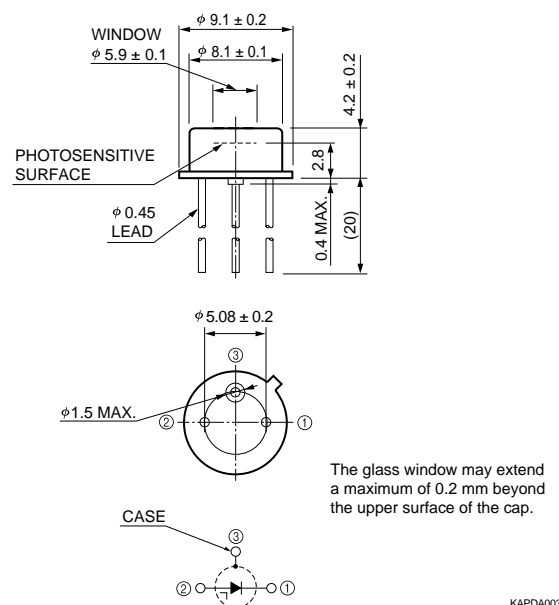
■ Dimensional outlines (unit: mm)

① S9251-02/-05



KAPDA0029EA

② S9251-10/-15



KAPDA0030EA

HAMAMATSU

Information furnished by HAMAMATSU is believed to be reliable. However, no responsibility is assumed for possible inaccuracies or omissions. Specifications are subject to change without notice. No patent rights are granted to any of the circuits described herein. ©2004 Hamamatsu Photonics K.K.

HAMAMATSU PHOTONICS K.K., Solid State Division

1126-1 Ichino-cho, Higashi-ku, Hamamatsu City, 435-8558 Japan, Telephone: (81) 53-434-3311, Fax: (81) 53-434-5184, <http://www.hamamatsu.com>

U.S.A.: Hamamatsu Corporation: 360 Foothill Road, P.O.Box 6910, Bridgewater, N.J. 08807-0910, U.S.A., Telephone: (1) 908-231-0960, Fax: (1) 908-231-1218

Germany: Hamamatsu Photonics Deutschland GmbH: Arzbergerstr. 10, D-82211 Herrsching am Ammersee, Germany, Telephone: (49) 08152-3750, Fax: (49) 08152-2658

France: Hamamatsu Photonics France S.A.R.L.: 19, Rue du Saule Trapu, Parc du Moulin de Massy, 91882 Massy Cedex, France, Telephone: 33-(1) 69 53 71 00, Fax: 33-(1) 69 53 71 10

United Kingdom: Hamamatsu Photonics UK Limited: 2 Howard Court, 10 Tewin Road, Welwyn Garden City, Hertfordshire AL7 1BW, United Kingdom, Telephone: (44) 1707-294888, Fax: (44) 1707-325777

North Europe: Hamamatsu Photonics Norden AB: Smidesvägen 12, SE-171 41 Solna, Sweden, Telephone: (46) 8-509-031-00, Fax: (46) 8-509-031-01

Italy: Hamamatsu Photonics Italia S.R.L.: Strada della Moia, 1/E, 20020 Arese, (Milano), Italy, Telephone: (39) 02-935-81-733, Fax: (39) 02-935-81-741