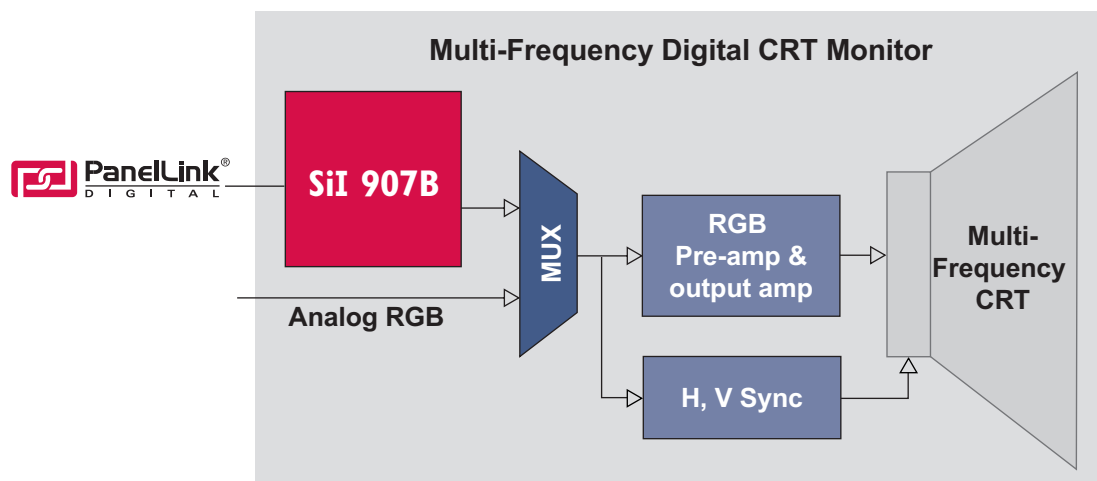


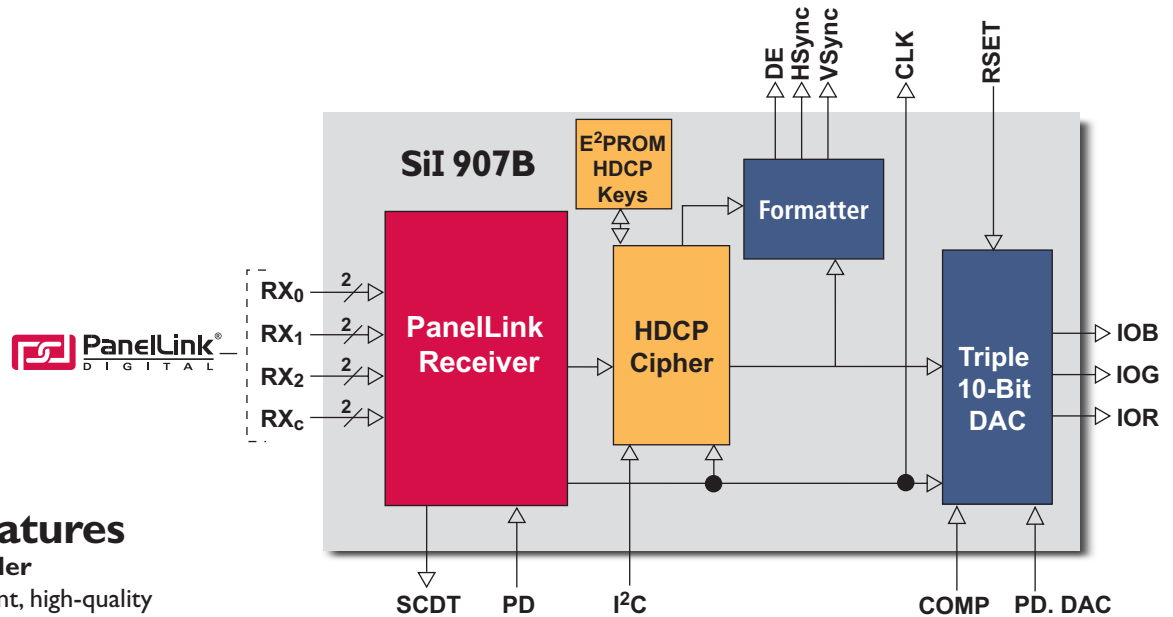
Silicon Image's SiI 907B enables the easy and low-cost addition of the DVI interface to multi-frequency CRT displays, including high-definition digital televisions (HDTVs) and digital CRTs. With the DVI-compliant SiI 907B, CRT displays may now realize consistently high image quality and receive premium video content encrypted with High-bandwidth Digital Content Protection (HDCP), which has received support from major Hollywood studios. Integrated, pre-programmed HDCP keys significantly simplify manufacturing while providing the highest level of security. The SiI 907B features an integrated full-bandwidth Panellink® Digital receiver and a 165 MHz triple 10-bit video DAC, while offering high jitter tolerance and efficient power management. With a full DVI single-link bandwidth of 25-165 MHz, resolutions up to UXGA at 60Hz refresh and SXGA at 85Hz refresh are supported. All of these features and benefits are provided in a 52-pin PLCC package that is pin-compatible with the SiI 905 monitor controller.

Applications

- Digital TVs
- Digital CRTs

The SiI 907B allows CRT monitor and DTV manufacturers to quickly and easily integrate the DVI interface into their advanced digital products. By supporting HDCP for DVI now, new applications in display security can be realized in addition to the ability to view premium video content.





SiI 907B Features

Panellink® Controller

- Provides a consistent, high-quality digital visual experience
- Improves image focus, convergence and geometry
- Cost-effective, easy-to-implement architecture for DVI-compliant DTVs and multi-frequency CRT displays
- 52-pin PLCC package

Input

- Panellink Digital receiver for proven DVI compatibility
- Supports DVI input from 25-165 MHz
- Supports High-bandwidth Digital Content Protection (HDCP)

Output

- 25-165 MHz triple 10-bit video DAC
- Supports 480p/720p/1080i HDTV resolutions
- Supports analog RGB video output up to UXGA resolution at 60 Hz or SXGA resolution at 85 Hz
- Frame rate preservation locks incoming and outgoing frame rates to eliminate temporal artifacts

Power Management

- Supports DVI and VESA® DPMS™ power management functionality
- Low standby power consumption to meet energy conservation requirements

Easy to Use

- Enhanced, robust input jitter tolerance
- Pin-compatible with SiI 905

Silicon Image's SiI 907B Starter Kit

The CP907BDVI Starter Kit includes hardware and documentation to quickly design and launch a DVI-compliant DTV or digital CRT display.

Contents include:

Hardware

- SiI 907B evaluation board
- Interface cables

Documentation

- SiI 907B Starter Kit User's Guide
- SiI 907B Data Sheet
- SiI 907B Evaluation Board Schematics

Part Number - SiI907BCQ52