

# VSC8476

VITESSE

## XAUI to XFI 10GE & 10GFC Transceiver



### APPLICATIONS:

- ▶ 10 Gbps Ethernet Switches
- ▶ 10 Gbps Ethernet Routers
- ▶ 10 Gbps Ethernet Network Interface Cards
- ▶ 10 Gbps Fibre Channel Host Bus Adapters
- ▶ 10 Gbps Fibre Channel Switches

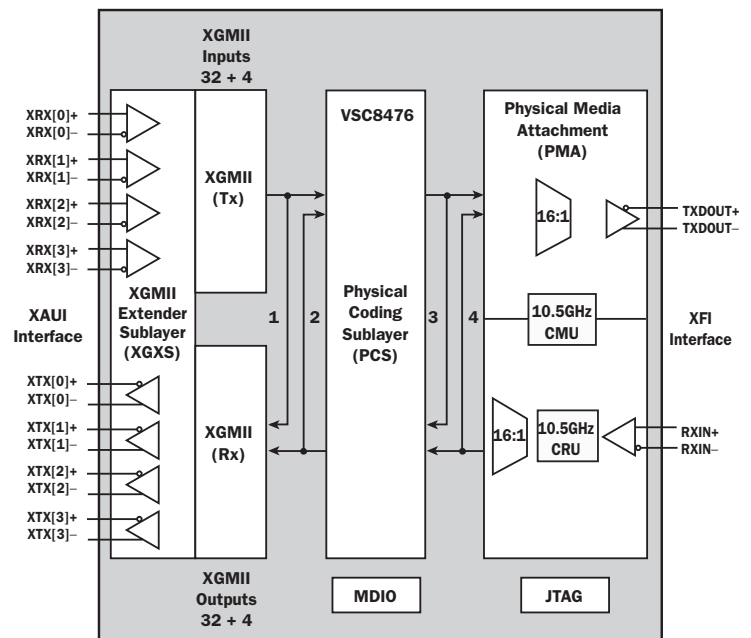
### BENEFITS:

- ▶ Alternate High Speed Data Output with Emphasis for Copper Interconnect Applications
- ▶ Enhanced High Speed Input Equalization to Copper Interconnect Beyond the XFI Requirements
- ▶ 1mm Ball Pitch for Reduced Assembly Cost
- ▶ 1kV ESD on all Pins for Robust Performance in Assembly and End User Applications
- ▶ Lower Cost of Ownership with Low Power, 1W Typical, Allowing for Higher Density and Operating Without a Heat Sink in Most Applications
- ▶ Offering Multiple Loop Backs and Built in Self Test for Improved Test Capabilities and Reduced System Debug and Bring Up Time

### FEATURES:

- ▶ 10GbE and Fibre Channel Serial LAN Transceiver
- ▶ Fully Compliant per IEEE802.3ae and T11 10GFC
- ▶ XFI compliant 10.5 Gbps High-speed Front-end
- ▶ Enhanced IO for Long Reach Copper Interconnect
- ▶ 4 x 3.125 & 3.182 Gbps XAUI I/O
- ▶ XAUI I/O Programmability: Lane Swap, Bit Order Swap, Invert, Deskew, Amplitude, Emphasis and Equalization
- ▶ Multiple Loop back Modes and Built in Self Test capabilities
- ▶ JTAG Access Port
- ▶ 1.8V & 1.2V & 1.5V Supplies
- ▶ TTL-compatible (1.5V or 1.8V or 3.3V Supply)
- ▶ 1W (Typical) Power

### BLOCK DIAGRAM:



## XAUI to XFI 10GE & 10GFC Transceiver

### GENERAL DESCRIPTION:

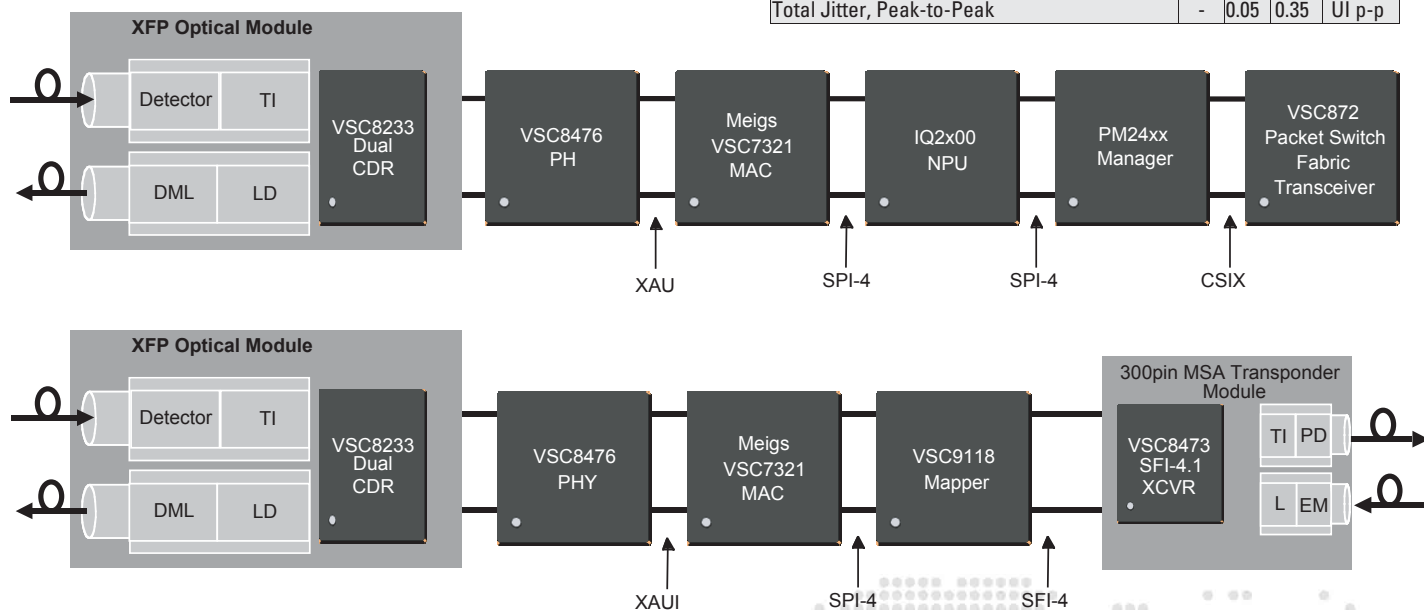


The VSC8476 is a 10Gb Ethernet and 10Gb Fibre Channel Serial Transceiver that has a 10-Gigabit Attachment Unit Interface (XAUI) I/O, 8B/10B Encoder/Decoders, 64B/66B encoder/decoder, gearboxing function, 16:1 mux/demux and high speed I/O. The VSC8476 also offers an additional data output with programmable pre-emphasis to enable longer links for copper. With these functions the VSC8476 implements the IEEE 802.3ae and T11 10GFC XGMII Extender Sub-layer (XGXS), Physical Coding Sub layer (PCS), and Physical Medium Attachment (PMA). The VSC8476 supports both the 10.3Gb/s and the 10.5 Gbps as defined by IEEE802.3ae and T11 10GFC respectively. The device operates using both 1.2V and 1.8V supplies for optimal power, dissipating a typical power of only 1 Watt. The VSC8476 is available in a 17mm x 17mm 256 ball package with 1mm ball pitch.

### SPECIFICATIONS:

	Min	Typ	Max	Units	
Total Power	-	1	-	W	
1.8V Supply Voltage	1	1.8	1.89	V	
1.8V Supply Current	-	25	-	A	
1.2V Supply Voltage	1.14	1.2	1.26	V	
1.2V Supply Current	-	800	-	A	
TTL IO Supply Voltage	2.97	3.3	3.63	V	
	1.71	1.8	1.89	V	
	1.42	1.5	1.58	V	
TTL IO Supply Current	--	3	-	A	
Temperature (Min Ambient; Max Case)	-40	-	85	oC	
XFI 10 Gbps Data Input					
Differential Input Swing	110	-	1050	mV	
Total Jitter Tolerance, Peak-to-Peak	0.65	-	-	UI(p-p)	
XAUI 3 Gbps Data Inputs					
Differential Input Amplitude	150	-	2000	mVp-p	
Total Jitter Tolerance, Peak-to-Peak	0.65	-	-	UI p-p	
XFI 10 Gbps Data Output					
Differential Output Swing	360	-	770	mV	
Rise and Fall Time	24	35	-	ps	
Total Jitter, Peak-to-Peak	-	0.07	0.3	UI (p-p)	
XAUI 3 Gbps Data Outputs					
Differential Output Swing	Full Swing	800	-	1300	mVp-p
	Half Swing	500	-	1000	mVp-p
Total Jitter, Peak-to-Peak	-	0.05	0.35	UI p-p	

### APPLICATION DIAGRAM:



For more information on Vitesse Products visit the Vitesse web site at [www.vitesse.com](http://www.vitesse.com) or contact Vitesse Sales at (800) VITESSE or [sales@vitesse.com](mailto:sales@vitesse.com)

Vitesse, ASIC-Friendly, FibreTimer, TimeStream and Snoop Loop are trademarks of Vitesse Semiconductor Corporation. All other trademarks or registered trademarks mentioned herein are the property of their respective holders. Vitesse Semiconductor Corporation ("Vitesse") retains the right to make changes to its products or specifications to improve performance, reliability or manufacturability. All information in this document, including descriptions of features, functions, performance, technical specifications and availability, is subject to change without notice at any time.

## VITESSE

741 Calle Plano  
 Camarillo, CA 93012, USA  
 Tel: +1 805.388.3700  
 Fax: +1 805.987.5896  
[www.vitesse.com](http://www.vitesse.com)