



High Speed ADSL2plus Chipset with Integrated Wireless LAN and Voice

CX94615

Conexant's portfolio includes a comprehensive suite of semiconductor solutions for broadband communications and the digital home.

The CX94615 is part of a new family of pin compatible CPE products from Conexant designed to leverage common DSP firmware, software, and hardware efforts across multiple applications from DSL bridges to wireless enabled DSL integrated access devices (IADs). Other products in this family include the CX94410 (ADSLplus Chipset with Enhanced INP) and the CX94610 (ADSLplus Chipset with Integrated Wireless LAN). The chipset includes a highly integrated analog front end (AFE) and a single-chip network processor with both integrated voice and 802.11a/b/g MAC and baseband functionality. The CX94615 includes all the interfaces required to enable feature-rich DSL CPE platforms.

An integrated 802.11 a/b/g MAC/baseband processor in the CX94615 interfaces to Conexant's CX5022x family of Wi-Fi® transceivers and RF front-end modules. The optimized Wi-Fi architecture reduces the number of components and improves manufacturing and quality with a repeatable and easily tunable Wi-Fi front end. The CX94615 has been designed to accommodate advanced wireless features such as push-button Wi-Fi Protected Setup (WPS) to easily and securely connect to wireless devices, and full Smart Antenna support for reliable Wi-Fi coverage with both data and multimedia streams.

The PCM and SPI bus on the CX94615 can be used to connect external codecs and SLICs to the internal voice DSP allowing a 2FXS/1FXO VoIP solution, running complex algorithms such as G.729ab, G.726 or G.711 on each channel. The programmable architecture of the CX94615 allows for voice upgradeability to other codecs and provides an upgrade path for emerging wide-band codec support. Additional channels of voice can be added to the CX94615 using the Conexant CX9041x family of voice co-processors. A cost effective FXO option is available with integrated support for the field proven Conexant SmartDAA product family.

The CX94615 handles connections to an Ethernet PHY, Ethernet switch, or HomePlug®/HomePNA™ through a 10/100 Ethernet MAC with MII interface. Support for USB 2.0 host/device applications is available to attach peripherals such as print servers, network attached storage, cameras, or other USB input devices. Both parallel and serial flash (SPI) support is included in the CX94615 for maximum design flexibility. The device interfaces to high speed SDRAM using a 16/32-bit wide connection and includes additional GPIOs for further expansion.

The CX94615 incorporates a flexible dedicated DSP, which supports multiple DSL standards including ADSL, ADSL2, ADSL2plus (Annexes A, B, M, I, J and L), using proven firmware to reduce time-to-market, and is fully programmable to give OEMs a secure, stable path for future upgrades and features.

At the center of the CX94615 chipset is a high performance ARM-based RISC processor core, which supports industry standard operating systems such as Linux® as well as Conexant's full-featured, advanced ISOS® software suite. To assist the processor, additional hardware engines, including a dedicated



Distinguishing Features

- Support for ADSL/ADSL2/ADSL2plus
- Integrated MAC/BB for high speed 802.11a/b/g interfaces to Wi-Fi transceivers and RF front end modules
- Integrated VoIP support for up to two channels of G.711, G.726, G.729ab, and other codecs
- Integrated high performance ARM network processor
- Integrated power regulators to simplify power supply design and reduce overall system cost
- Support for USB 1.1 and 2.0 Host/Device applications
- High speed SDRAM interface
- Hardware VPN engine supporting DES, 3DES, AES), SHA-1, SHA-256, and MD5 operations
- Open OS support for Linux, ISOS, and third party stacks
- Support for extended impulse noise protection (INP) for better IPTV quality

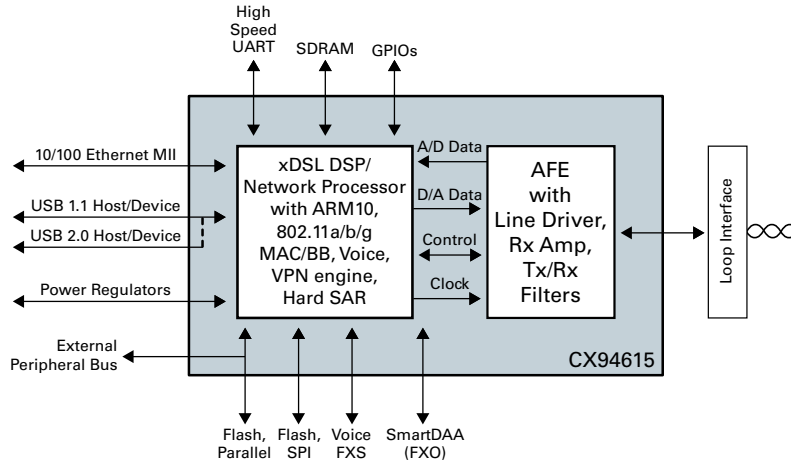
Part Number CX94615

Description High Speed ADSL2plus Chipset with Integrated Wireless LAN and Voice



Wi-Fi processor, virtual private network (VPN) engine, and hardware ATM SAR, are integrated to support compute intensive tasks. The software solutions for the CX94615 include full support for advanced

features such as IPTV quality of service (QoS), advanced firewall, and DSLHome™, the DSL Forum's initiative to standardize and simplify the provisioning and configuration of the DSL gateway.



CX94615 Block Diagram

Product Features

- Support for ADSL/ADSL2/ADSL2plus (G.992.1, G.992.2, T1.413, G992.3, G.992.5) with optimized AFE designed to meet ADSL (TR-067) and ADSL2plus (WT-100) requirements
- Integrated field-proven xDSL DSP core with Annex A, B, M, I, J, and L support
- Optimized and cost effective voice FXO support using Conexant's SmartDAA technology
- Expandable voice architecture to support up to 8 additional FXS voice channels using the Conexant CX9041x co-processor family
- Integrated 10/100 Ethernet MAC with MII interface
- Optimized power management with support for dying gasp
- QoS features including support for extended INP for better IPTV quality
- Support for parallel and serial (SPI) flash
- Support for DSLHome including TR-064, TR-068, TR-069, TR-098, TR-104, TR-106, TR-110, TR-111, TR-124, TR-133
- Memory and feature optimized binary and source software releases for targeted deployments
- Advanced Wireless features including WPS and Smart Antenna support
- MGCP and SIP stacks for VoIP

- Easy to use HTML based graphical user interface (GUI) tools for customization of user configuration web pages
- Modular IP stack with comprehensive networking protocol support including advanced bridging and routing capabilities, dynamic host configuration protocol (DHCP), point-to-point protocol over Ethernet (PPPoE), point-to-point protocol over ATM (PPPoA)
- PPP and tunneling features and routing information protocol (RIP)
- Simple network management protocol (SNMP) agent and tools
- Stateful packet inspection (SPI) firewall and network address translation (NAT) security solution
- ATM SAR engine supporting unspecified bit rate (UBR), constant bit rate (CBR) and other service classes
- UPnP for seamless network interconnectivity
- Common customer development environment and tools across ADSL to VDSL2 products
- Reference designs available for rapid prototyping
- Pin compatible option to the CX94610 Family (ADSLplus Chipset with Integrated Wireless LAN, without voice) for platform flexibility

Applications

- Wireless/DSL/Voice Integrated Access Device (IAD)

Conexant Product Portfolio

The company's broad portfolio of semiconductor products also includes client-side DSL and cable modem solutions, home network processors, broadcast video encoders and decoders, digital set-top box components and systems solutions, and dial-up modems. In addition to its IEEE 802.11a/b/g-compliant WLAN chipsets, software, and reference designs, Conexant offers a suite of networking components that includes solutions for applications based on HomePlug® and HomePNA™. Additional products include a complete line of asymmetric and symmetric DSL central office solutions, which are used by service providers worldwide to deliver broadband data, voice, and video over copper telephone lines.

© 2007, Conexant Systems, Inc. All Rights Reserved. Conexant and the Conexant logo are registered trademarks of Conexant Systems, Inc. All other trademarks are owned by their respective owners. Although Conexant strives for accuracy in all its publications, this material may contain errors or omissions and is subject to change without notice. **THIS MATERIAL IS PROVIDED AS IS AND WITHOUT ANY EXPRESS OR IMPLIED WARRANTIES, INCLUDING MERCHANTABILITY, FITNESS FOR A PARTICULAR PURPOSE AND NON-INFRINGEMENT.** Conexant shall not be liable for any special, indirect, incidental or consequential damages as a result of its use.

www.conexant.com
General Information:
 U.S. and Canada: (888) 855-4562
 International: (732) 345-7500
 Headquarters
 4000 MacArthur Blvd.
 Newport Beach, CA 92660
 Doc# PBR-201236

