

RELIABILITY REPORT
FOR
MAX3971AUGP
PLASTIC ENCAPSULATED DEVICES

July 23, 2002

MAXIM INTEGRATED PRODUCTS

120 SAN GABRIEL DR.

SUNNYVALE, CA 94086

Written by



Jim Pedicord
Quality Assurance
Reliability Lab Manager

Reviewed by



Bryan J. Preeshl
Quality Assurance
Executive Director

Conclusion

The MAX3971A successfully meets the quality and reliability standards required of all Maxim products. In addition, Maxim's continuous reliability monitoring program ensures that all outgoing product will continue to meet Maxim's quality and reliability standards.

Table of Contents

| | |
|-----------------------------------|--------------------------------------|
| I.Device Description | V.Quality Assurance Information |
| II.Manufacturing Information | VI.Reliability Evaluation |
| III.Packaging Information | |
| IV.Die Information |Attachments |

I. Device Description

A. General

The MAX3971A is a compact, low-power, 10.3Gbps limiting amplifier. It accepts signals over a wide range of input voltage levels and provides constant-level output voltages with controlled edge speeds. It functions as a data quantizer. The output of the amplifier is a 250mVp-p differential CML signal with a 100 Ω differential termination.

The MAX3971A is designed to work with the MAX3970, a 10.3Gbps transimpedance amplifier (TIA). The limiting amplifier operates on a single +3.3V supply and consumes only 155mW. The part functions over a 0°C to +85°C temperature range. It also has a disable function that allows the outputs to be squelched if required by the application.

The MAX3971A is offered in either die form or in a compact 4mm x 4mm, 20-pin QFN plastic package.

B. Absolute Maximum Ratings

| <u>Item</u> | <u>Rating</u> |
|--|-----------------------|
| Supply Voltage, VCC1, VCC2, VCC3 | -0.5V to +5.0 V |
| Voltage at IN+, IN-, DISABLE, CZ+, CZ-, OUT+, OUT- | +0.5V to (VCC + 0.5V) |
| Differential Voltage Between CZ+ and CZ- | ± 1 V |
| Differential Voltage Between IN+ and IN- | ± 2.5 V |
| Operating Ambient Temperature Range | -40°C to +85°C |
| Storage Temperature Range | -55°C to +150°C |
| Die Attach Temperature | +400°C |
| Lead Temperature (soldering, 10s) | +300°C |
| Continuous Power Dissipation (TA = 85°C) | |
| 20-Pin QFN | 1.3W |
| Derates above +85°C | |
| 20-Pin QFN | 20mW/°C |

II. Manufacturing Information

| | |
|----------------------------------|------------------------------------|
| A. Description/Function: | +3.3V, 10.3Gbps Limiting Amplifier |
| B. Process: | GST4-F60 |
| C. Number of Device Transistors: | 324 |
| D. Fabrication Location: | Oregon, USA |
| E. Assembly Location: | Korea |
| F. Date of Initial Production: | April, 2002 |

III. Packaging Information

| | |
|---|---------------------------|
| A. Package Type: | 24-Pin SSOP |
| B. Lead Frame: | Copper |
| C. Lead Finish: | Solder Plate |
| D. Die Attach: | Silver-filled epoxy |
| E. Bondwire: | Gold (1.0 mil dia.) |
| F. Mold Material: | Epoxy with silica filler |
| G. Assembly Diagram: | Buildsheet # 05-4001-0008 |
| H. Flammability Rating: | Class UL94-V0 |
| I. Classification of Moisture Sensitivity per JEDEC standard JESD22-A112: | Level 1 |

IV. Die Information

| | |
|----------------------------|---|
| A. Dimensions: | 43 x 52 mils |
| B. Passivation: | Si ₃ N ₄ /SiO ₂ (Silicon nitride/ Silicon dioxide) |
| C. Interconnect: | Au |
| D. Backside Metallization: | None |
| E. Minimum Metal Width: | Metal1: 1.2; Metal2: 1.2; Metal3: 1.2; Metal4: 5.6 microns (as drawn) |
| F. Minimum Metal Spacing: | Metal1: 1.6; Metal2: 1.6; Metal3: 1.6; Metal4: 4.2 microns (as drawn) |
| G. Bondpad Dimensions: | 5 mil. Sq. |
| H. Isolation Dielectric: | SiO ₂ |
| I. Die Separation Method: | Wafer Saw |

V. Quality Assurance Information

- A. Quality Assurance Contacts: Jim Pedicord (Reliability Lab Manager)
Bryan Preeshl (Executive Director of QA)
Kenneth Huening (Vice President)
- B. Outgoing Inspection Level: 0.1% for all electrical parameters guaranteed by the Datasheet.
0.1% For all Visual Defects.
- C. Observed Outgoing Defect Rate: < 50 ppm
- D. Sampling Plan: Mil-Std-105D

VI. Reliability Evaluation

A. Accelerated Life Test

The results of the 150°C biased (static) life test are shown in **Table 1**. Using these results, the Failure Rate (λ) is calculated as follows:

$$\lambda = \frac{1}{\text{MTTF}} = \frac{1.83}{192 \times 9823 \times 45 \times 2} \quad (\text{Chi square value for MTTF upper limit})$$

└ Temperature Acceleration factor assuming an activation energy of 0.8eV

$$\lambda = 10.78 \times 10^{-8} \quad \lambda = 10.78 \text{ F.I.T. (60\% confidence level @ 25°C)}$$

This low failure rate represents data collected from Maxim's reliability qualification and monitor programs. Maxim also performs weekly Burn-In on samples from production to assure reliability of its processes. The reliability required for lots which receive a burn-in qualification is 59 F.I.T. at a 60% confidence level, which equates to 3 failures in an 80 piece sample. Maxim performs failure analysis on rejects from lots exceeding this level. Maxim also performs 1000 hour life test monitors quarterly for each process. This data is published in the Product Reliability Reports (**RR-1M & RR-B3A**).

B. Moisture Resistance Tests

Maxim evaluates pressure pot stress from every assembly process during qualification of each new design. Pressure Pot testing must pass a 20% LTPD for acceptance. Additionally, industry standard 85°C/85%RH or HAST tests are performed quarterly per device/package family.

C. E.S.D. and Latch-Up Testing

The HD01-1 die type has been found to have all pins able to withstand a transient pulse of $\pm 200\text{V}$, per Mil-Std-883 Method 3015 (reference attached ESD Test Circuit). Latch-Up testing has shown that this device withstands a current of $\pm 250\text{mA}$.

Table 1
Reliability Evaluation Test Results

MAX3971AUGP

| TEST ITEM | TEST CONDITION | FAILURE IDENTIFICATION | SAMPLE SIZE | NUMBER OF FAILURES |
|-----------------------------------|---|----------------------------------|-------------|--------------------|
| Static Life Test (Note 1) | | | | |
| | Ta = 150°C Biased Time = 192 hrs. | DC Parameters & functionality | 45 | 0 |
| Moisture Testing (Note 2) | | | | |
| Pressure Pot | Ta = 121°C P = 15 psi. RH= 100% Time = 168hrs. | DC Parameters & functionality | 77 | 0 |
| 85/85 | Ta = 85°C RH = 85% Biased Time = 1000hrs. | DC Parameters & functionality | 77 | 0 |
| Mechanical Stress (Note 2) | | | | |
| Temperature Cycle | -65°C/150°C 1000 Cycles Method 1010 | DC Parameters | 77 | 0 |

Note 1: Life Test Data may represent plastic DIP qualification lots.

Note 2: Generic process/package data.

Attachment #1

TABLE II. Pin combination to be tested. 1/ 2/

| | Terminal A (Each pin individually connected to terminal A with the other floating) | Terminal B (The common combination of all like-named pins connected to terminal B) |
|----|---|---|
| 1. | All pins except V_{PS1} <u>3/</u> | All V_{PS1} pins |
| 2. | All input and output pins | All other input-output pins |

1/ Table II is restated in narrative form in 3.4 below.

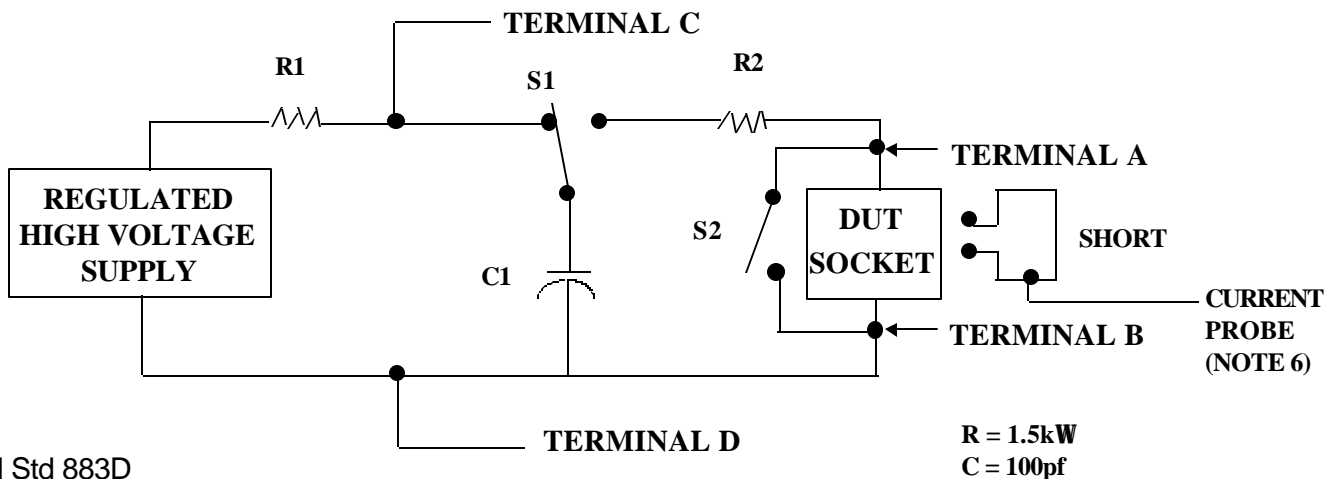
2/ No connects are not to be tested.

3/ Repeat pin combination I for each named Power supply and for ground

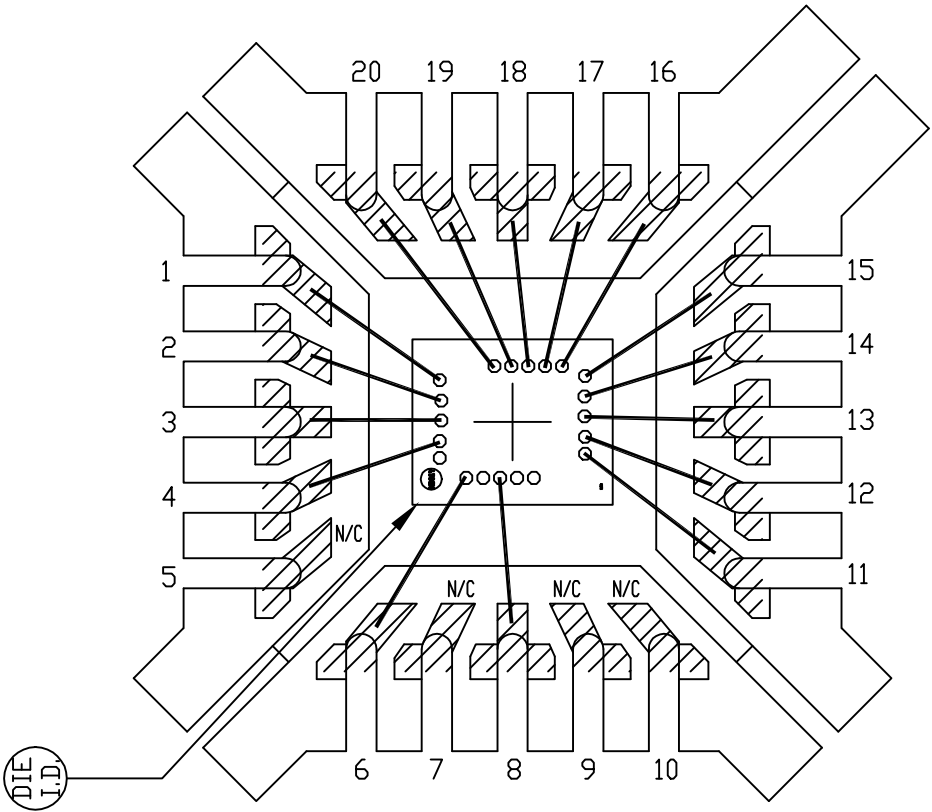
(e.g., where V_{PS1} is V_{DD} , V_{CC} , V_{SS} , V_{BB} , GND, $+V_S$, $-V_S$, V_{REF} , etc).

3.4 Pin combinations to be tested.

- a. Each pin individually connected to terminal A with respect to the device ground pin(s) connected to terminal B. All pins except the one being tested and the ground pin(s) shall be open.
- b. Each pin individually connected to terminal A with respect to each different set of a combination of all named power supply pins (e.g., V_{SS1} , or V_{SS2} or V_{SS3} or V_{CC1} , or V_{CC2}) connected to terminal B. All pins except the one being tested and the power supply pin or set of pins shall be open.
- c. Each input and each output individually connected to terminal A with respect to a combination of all the other input and output pins connected to terminal B. All pins except the input or output pin being tested and the combination of all the other input and output pins shall be open.



EXPOSED PAD PKG.



 BONDABLE AREA

PKG. BODY SIZE: 4x4 mm

| | | | | | |
|-------------------------|----------------|------------|------|---|-----------|
| PKG. CODE: G2044-4 | | SIGNATURES | DATE |  CONFIDENTIAL & PROPRIETARY | |
| CAV./PAD SIZE: 75x75 | PKG. DESIGN | | | BOND DIAGRAM #: 05-4001-0008 | REV: A |