

TOSHIBA Bipolar Linear Integrated Circuit Silicon Monolithic

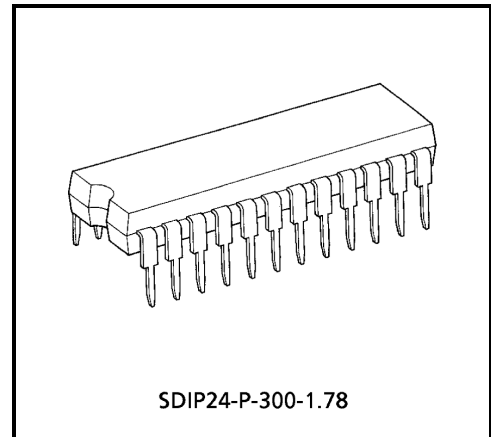
TA2008AN

5V AM / FM 1 Chip Tuner IC
(for digital tuning system)

The TA2008AN is the AM / FM 1 chip tuner IC, which is designed for radio cassette players and music centers. This is suitable for digital tuning system applications.

Features

- Suitable for combination with digital tuning system which is included IF counter.
- One terminal type AM / FM IF count output (auto stop signal) for IF counter of digital tuning system.
 - FM: 1.3375MHz (1 / 8 dividing)
 - AM: 450kHz
- Built-in mute circuit for IF count output.
- For adopting ceramic discriminator and ceramic resonator, it is not necessary to adjust the FM quad detector circuit and FM stereo detector vco circuit.
- Built-in one terminal type AM / FM local oscillator buffer output for digital tuning system applications.
- Operating supply voltage range: $V_{CC} = 3.5\sim 14V$ ($T_a = 25^\circ C$)



Weight: 1.2g (typ.)

Explanation Of Terminals

Pin No.	Characteristic	Internal Circuit	DC Voltage (V) (at no signal)	
			AM	FM
1	FM-RF in		0	0.8
2	GND1 (GND for RF stage)	—	0	0
3	Mix out		0.3	0.8
4	AGC		1.2	0.9
5	VCC2 (VCC for IF / FM ST DET stage)	—	5.0	5.0
6	FM IF in		5.0	5.0

Pin No.	Characteristic	Internal Circuit	DC Voltage (V) (at no signal)	
			AM	FM
7	AM IF in		5.0	5.0
8	GND2 (GND for if / FM ST DET stage)	—	0	0
9	QUAD (FM QUAD. Detector)		4.1	3.6
10	St ind • Stereo LED terminal • Offset voltage cancel for AM RF amp.		4.2	—
11 12	L-out (L-ch output) R-out (R-ch output)		1.35	1.35

Pin No.	Characteristic	Internal Circuit	DC Voltage (V) (at no signal)	
			AM	FM
13	VCO		5.0	4.1
14	LPF2 • LPF terminal for synchronous detector. • VCO stop terminal V ₁₄ = GND → VCO stop		5.0	3.4
15	LPF1 • LPF terminal for phase detector • Bias terminal for AM / FM SW circuit V ₁₅ = GND → AM V ₁₅ = open → FM		0	2.8
16	FM ST DET in		1.4	1.4

Pin No.	Characteristic	Internal Circuit	DC Voltage (V) (at no signal)	
			AM	FM
17	DET out	<p> VCC2 (5) AM FM (a) (b) GND2 (8) </p> <p> (a) LOW→FM, HIGH→AM (b) LOW→AM, HIGH→FM </p>	1.4	1.4
18	IF out / REQ V ₁₈ = GND → IF out	<p> VCC2 (5) 100Ω (18) </p>	4.0	4.0
19	OSC out	<p> VCC1 (20) AM OSC FM OSC (19) GND1 (2) </p>	4.0	4.0
20	V _{CC1} (V _{CC} for RF stage)	—	5.0	5.0
21	FM OSC	<p> VCC1 (20) (21) MIX GND1 (2) </p>	5.0	5.0

Pin No.	Characteristic	Internal Circuit	DC Voltage (V) (at no signal)	
			AM	FM
22	AM OSC		5.0	5.0
23	FM RF out	cf. pin (1)	5.0	5.0
24	AM RF in		5.0	5.0

Maximum Ratings (Ta = 25°C)

Characteristic	Symbol	Rating	Unit
Supply voltage	V _{CC}	15	V
LED current	I _{LED}	10	mA
LED voltage	V _{LED}	15	V
Power dissipation	P _D *	1200	mW
Operating temperature	T _{opr}	-25~75	°C
Storage temperature	T _{stg}	-55~150	°C

* : Derated above Ta = 25°C in the proportion of 9.6mW / °C

Electrical Characteristics

Unless Otherwise Specified, Ta = 25°C, V_{CC} = 5V, SW8: Off, F / E: f = 98MHz, f_m = 1kHz

FM IF: f = 10.7MHz, Δf = ±22.5kHz, f_m = 1kHz

AM: f = 1MHz, MOD = 30%, f_m = 1kHz

FM ST DET: f_m = 1kHz

Characteristic		Symbol	Test Circuit	Test Condition	Min.	Typ.	Max.	Unit
Supply current		I _{CC} (FM)	—	V _{in} = 0, FM mode	—	27	36	mA
		I _{CC} (AM)	—	V _{in} = 0, AM mode	—	18	25	
F / E	Input limiting voltage	V _{in} (lim)	—	-3dB limiting with respect to V _{OD} level at V _{in} = 60dBμV EMF	—	11	—	dBμV EMF
	Local OSC buffer output voltage	V _{OSC} (buff) FM	—	f _{OSC} = 108.7MHz	90	180	—	mV _{rms}
FM IF	Input limiting voltage	V _{in} (lim.) IF	—	-3dB limiting with respect to V _{OD} level at V _{in} = 80dBμV EMF	40	45	50	dBμV EMF
	Recovered output voltage	V _{OD}	—	V _{in} = 80dBμV EMF	50	75	100	mV _{rms}
	Signal to noise ratio	S / N	—	V _{in} = 80dBμV EMF	—	70	—	dB
	Total harmonic distortion	THD	—	V _{in} = 80dBμV EMF	—	0.3	—	%
	AM rejection ratio	AMR	—	V _{in} = 80dBμV EMF	—	50	—	dB
	SD output sensitivity	V _{SD}	—	V _{SD} = V _{CC} -0.1V	53	58	63	dBμV EMF
	IF count output frequency	f _{1 / 8 IF} (FM)	—	V _{in} = 80dBμV EMF, SW8: On	1.3373	1.3375	1.3377	MHz
	IF count output voltage	V _{1 / 8 IF} (FM)	—	V _{in} = 80dBμV EMF, SW8: On	350	500	—	mV _{p-p}
IF count output sensitivity	IF sens (FM)	—	SW8: On	49	54	59	dBμV EMF	

Characteristic		Symbol	Test Circuit	Test Condition	Min.	Typ.	Max.	Unit		
AM	Gain	G _V	—	V _{in} = 26dBμV EMF	20	45	80	mV _{rms}		
	Recovered output voltage	V _{OD}	—	V _{in} = 60dBμV EMF	45	65	90	mV _{rms}		
	Signal to noise ratio	S / N	—	V _{in} = 60dBμV EMF	—	42	—	dB		
	Total harmonic distortion	THD	—	V _{in} = 60dBμV EMF	—	1.0	—	%		
	Local OSC buffer output voltage	V _{OSC} (buff) AM	—	f _{OSC} = 1.45MHz	90	150	—	mV _{rms}		
	IF count output voltage	V _{IF} (AM)	—	V _{in} = 60dBμV EMF, SW8: On,	350	500	—	mV _{p-p}		
	IF count output sensitivity	IF sens (AM)	—	SW8: On	35	40	45	dBμV EMF		
Pin (17) output resistance		R17	—	FM mode	—	0.75	—	kΩ		
				AM mode	—	15.5	—			
FM ST DET	Input resistance		R _{IN}	—	—	24	—	kΩ		
	Output resistance		R _{OUT}	—	—	5	—	kΩ		
	Max. Composite signal input voltage		V _{in max} (stereo)	—	L + R = 90%, P = 10%, SW4: LPF on f _m = 1kHz, THD = 3%	—	800	—	mV _{rms}	
	Separation		Sep.	—	L + R = 180mV _{rms} P = 20mV _{rms} SW4: LPF on	f _m = 100Hz	—	42	—	dB
						f _m = 1kHz	35	42	—	
						f _m = 10kHz	—	42	—	
	Total harmonic distortion	Monaural	THD (monaural)	—	V _{in} = 200mV _{rms}	—	0.1	—	%	
		Stereo	THD (stereo)	—	L + R = 180mV _{rms} , P = 20mV _{rms} , SW4: LPF on,	—	0.1	—		
	Voltage gain		G _V	—	V _{in} = 200mV _{rms}	-2	0	2	dB	
	Channel balance		C. B.	—	V _{in} = 200mV _{rms}	-2	0	2	dB	
	Stereo LED sensitivity	On	V _L (ON)	—	Pilot input	—	8	15	mV _{rms}	
		Off	V _L (OFF)			2	6	—		
	Stereo LED hysteresis		V _H	—	T _o LED turn off from LED turn on	—	2	—	mV _{rms}	
Capture range		C. R.	—	P = 15mV _{rms}	—	±1.3	—	%		
Signal to noise ratio		S / N	—	V _{in} = 200mV _{rms}	—	80	—	dB		
Muting attenuation		MUTE	—	V _{in} = 200mV _{rms}	—	80	—	dB		

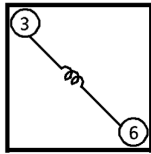
Coil Data

Coil No.	Test Freq.	L (μH)	C ₀ (pF)	Q ₀	Turns				Wire (mmφ)	Reference
					1-2	2-3	1-3	3-6		
L1 FM RF	100MHz			100				2 $\frac{1}{2}$	0.5 UEW	Within core
L1 FM OSC	100MHz			100				2 $\frac{1}{2}$	0.5 UEW	Within core
T1 AM mix	455kHz		180	48↑	47	111	158	4-6 20	0.06 UEW	(T): A7LCS-12064N
T2 AM OSC	796kHz	268		125	15	89			0.06 UEW	(S): 2157-2239-213A (T): A7BRS-11998Y

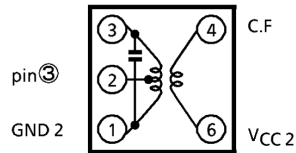
(S): Sumida electric co., ltd.

(T): Toko co., ltd.

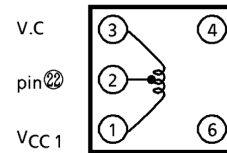
L₁ : FM RF
L₂ : FM OSC



T1 : AM MIX



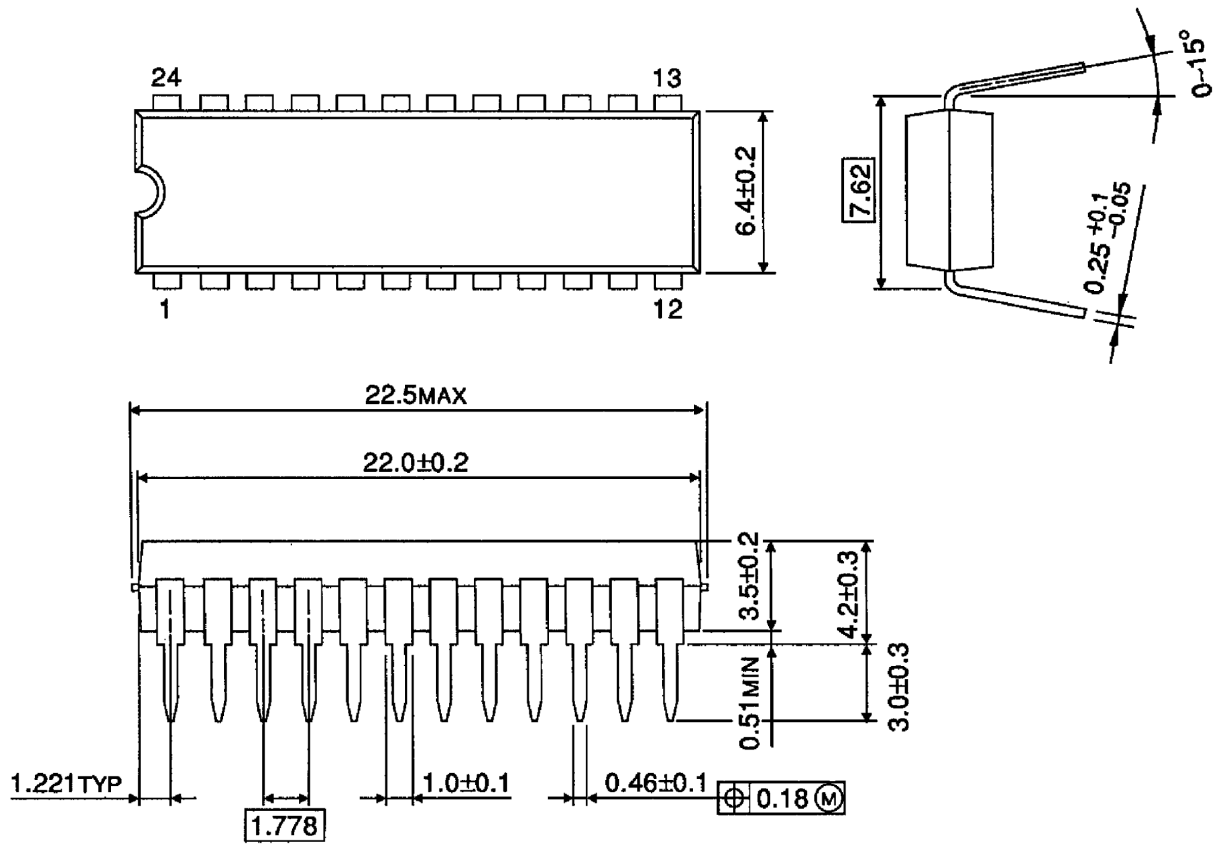
T2 : AM OSC



Package Dimensions

SDIP24-P-300-1.78

Unit : mm



Weight: 1.2g (typ.)

RESTRICTIONS ON PRODUCT USE

000707EBA

- TOSHIBA is continually working to improve the quality and reliability of its products. Nevertheless, semiconductor devices in general can malfunction or fail due to their inherent electrical sensitivity and vulnerability to physical stress. It is the responsibility of the buyer, when utilizing TOSHIBA products, to comply with the standards of safety in making a safe design for the entire system, and to avoid situations in which a malfunction or failure of such TOSHIBA products could cause loss of human life, bodily injury or damage to property.
In developing your designs, please ensure that TOSHIBA products are used within specified operating ranges as set forth in the most recent TOSHIBA products specifications. Also, please keep in mind the precautions and conditions set forth in the "Handling Guide for Semiconductor Devices," or "TOSHIBA Semiconductor Reliability Handbook" etc..
- The TOSHIBA products listed in this document are intended for usage in general electronics applications (computer, personal equipment, office equipment, measuring equipment, industrial robotics, domestic appliances, etc.). These TOSHIBA products are neither intended nor warranted for usage in equipment that requires extraordinarily high quality and/or reliability or a malfunction or failure of which may cause loss of human life or bodily injury ("Unintended Usage"). Unintended Usage include atomic energy control instruments, airplane or spaceship instruments, transportation instruments, traffic signal instruments, combustion control instruments, medical instruments, all types of safety devices, etc.. Unintended Usage of TOSHIBA products listed in this document shall be made at the customer's own risk.
- The products described in this document are subject to the foreign exchange and foreign trade laws.
- The information contained herein is presented only as a guide for the applications of our products. No responsibility is assumed by TOSHIBA CORPORATION for any infringements of intellectual property or other rights of the third parties which may result from its use. No license is granted by implication or otherwise under any intellectual property or other rights of TOSHIBA CORPORATION or others.
- The information contained herein is subject to change without notice.