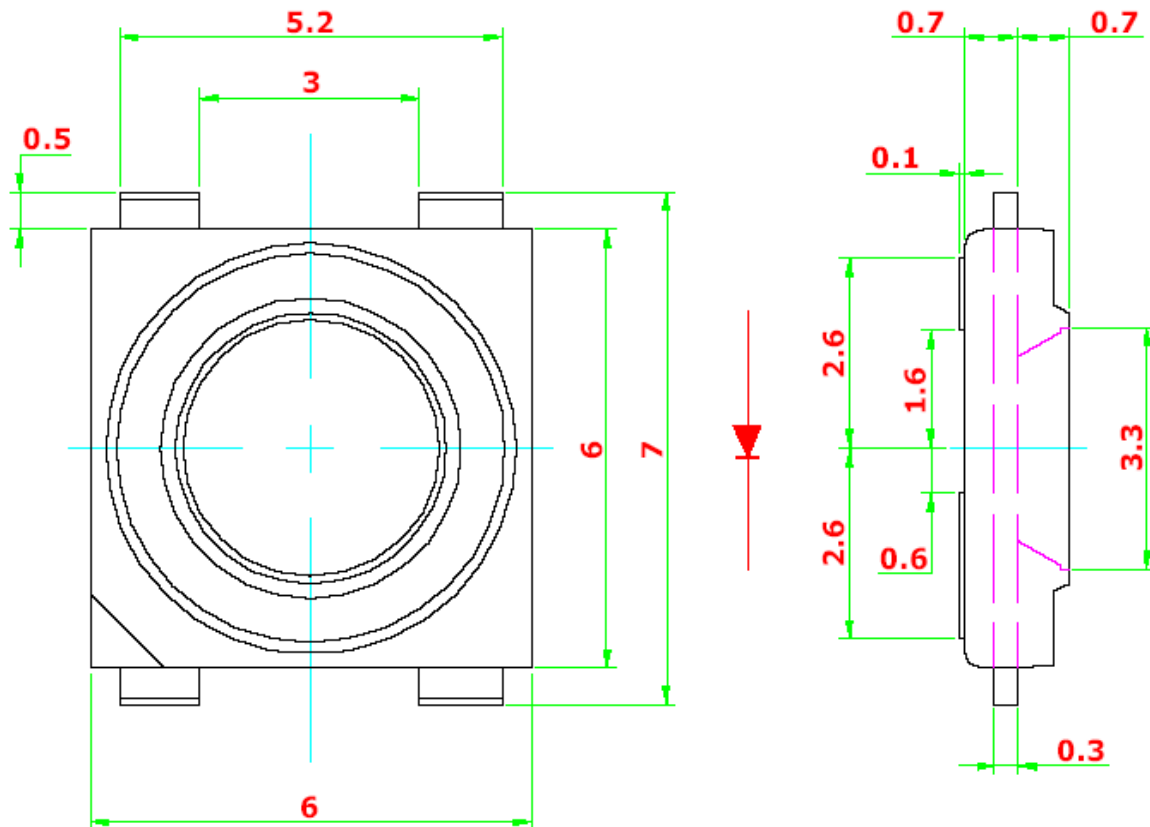




NovaLED 350 InGaN Blue



- Super high brightness surface mount LED.
- High flux output.
- 120° viewing angle.
- Compact package outline (LxW) of 6.0 x 6.0 mm. Ultra low height profile – 1.5 mm.
- Designed for high current drive; Maximum 350 mA.
- Low thermal resistance; $R_{th(j-s)} = 20 \text{ K/W}$.
- Compatible to IR reflow soldering.



Material

	Material
Lead-frame.	Cu Alloy With Ag Plating.
Package.	High Temperature Resistant Plastic, PPA.
Encapsulate	Epoxy Resin.
Soldering Leads.	Sn-Sn Plating.

Note : Product has no lead (Pb) content.

Absolute Maximum Ratings

	Maximum Value	Unit
DC forward current.	350	mA
Pulse current	1000	mA
Reverse voltage.	5	V
LED junction temperature.	120	°C
Operating temperature.	-40 ... +100	°C
Storage temperature.	-40 ... +100	°C



Optical Characteristics at Ta=25°C.

Part Number	Total Flux @ If=350mA	Intensity @ If=350mA (mcd)			Viewing Angle
	Typ. (mlm)	Min	Typ.	Max	
BL-PPB-USS-C10	7500	1800	2400	2850	120

IV Bins	Intensity @ If=350mA (mcd)	
	Min	Max
X1	1800	2240
X2	2240	2850

1. Luminous intensity is measured with an accuracy of $\pm 11\%$.
2. Wavelength binning is carried for all units as per the wavelength-binning table. Only one wavelength group is allowed for each reel. Please refer to the following.

Electrical Characteristics at Ta=25°C.

Part Number	Color	Vf @ If=350mA		Vr @ Ir=10uA
		Typ. (V)	Max. (V)	Min.(V)
BL-PPB-USS-C10	Blue, 470 nm	3.6	4.0	5

Forward voltage, Vf is measured with a current pulse of 1 ms and an accuracy of ± 0.1 V.

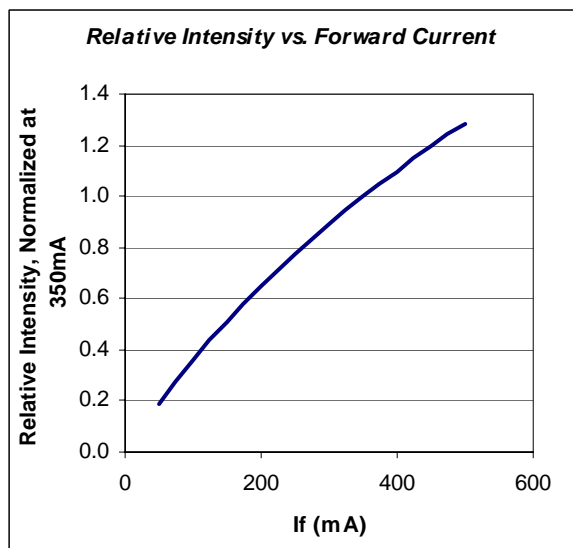
Wavelength Grouping.

Color	Group	Wavelength distribution (nm)
BL-PPB; Blue	Full	464 - 476
	A	464 - 470
	B	470 - 476

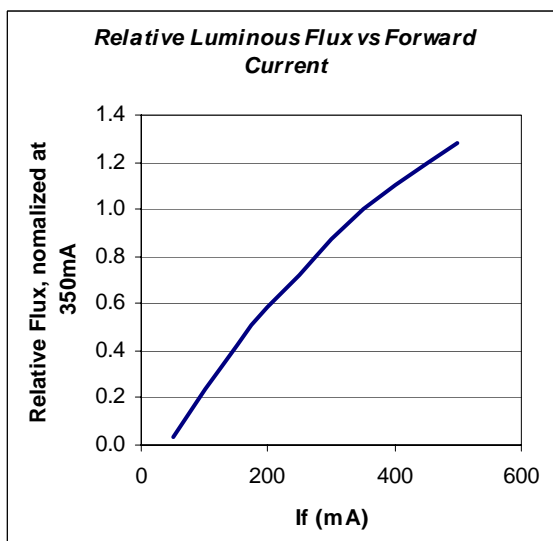
Wavelength is measured with an accuracy of ± 1 nm.



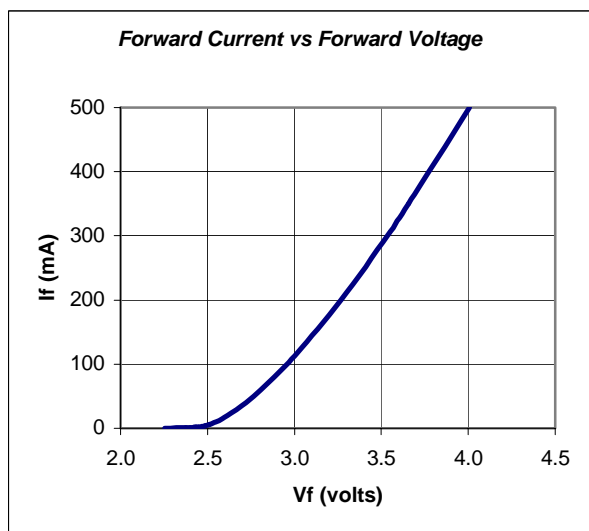
Relative luminous intensity vs. forward current.



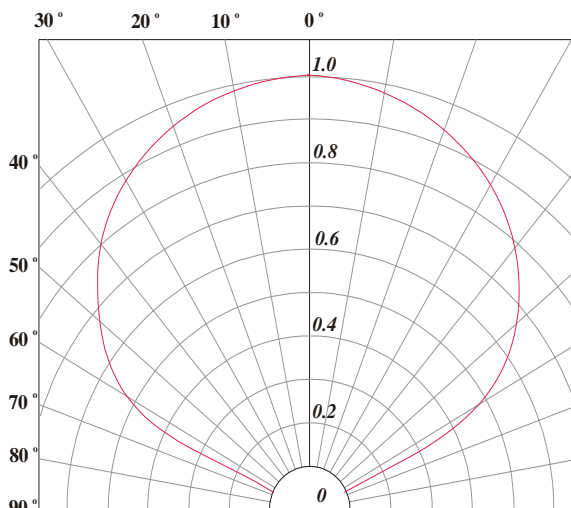
Flux vs. forward current.



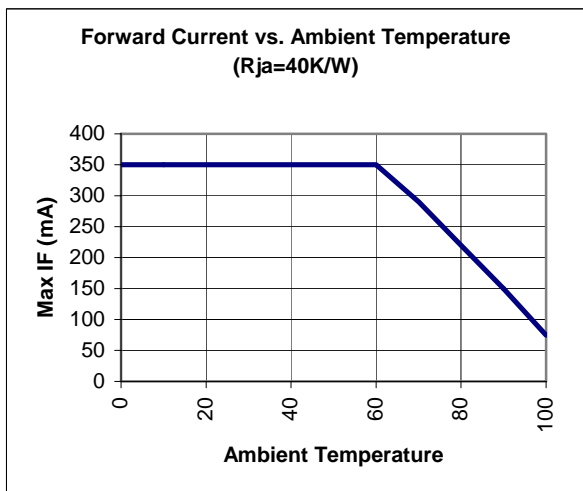
Forward current vs. forward voltage.



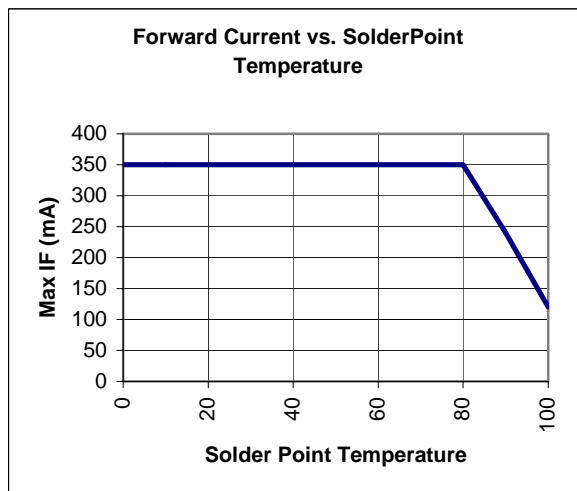
Radiation pattern.



Maximum Permissible Current.



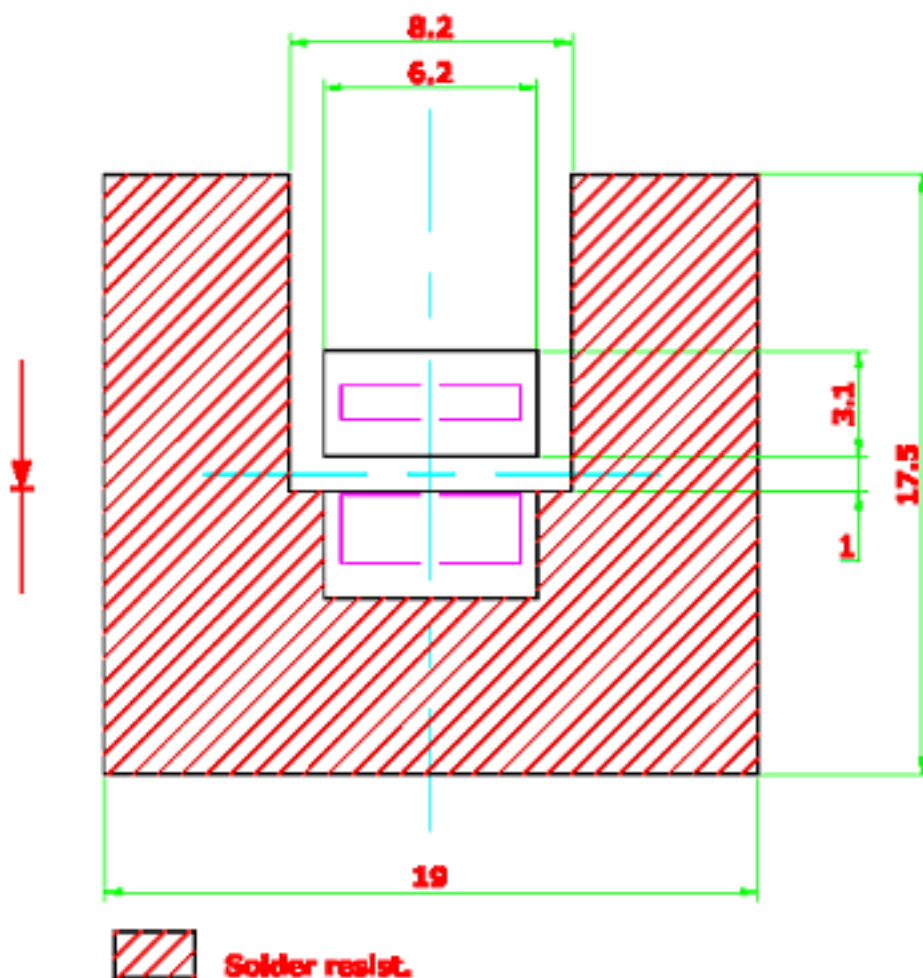
Maximum Permissible Current.





Solder Pad Design.

Note : Unit to unit pitching must not be less than 25 mm. Metal core circuit board (MCPCB) is highly recommended for high density applications. Please consult sales and marketing for additional information.

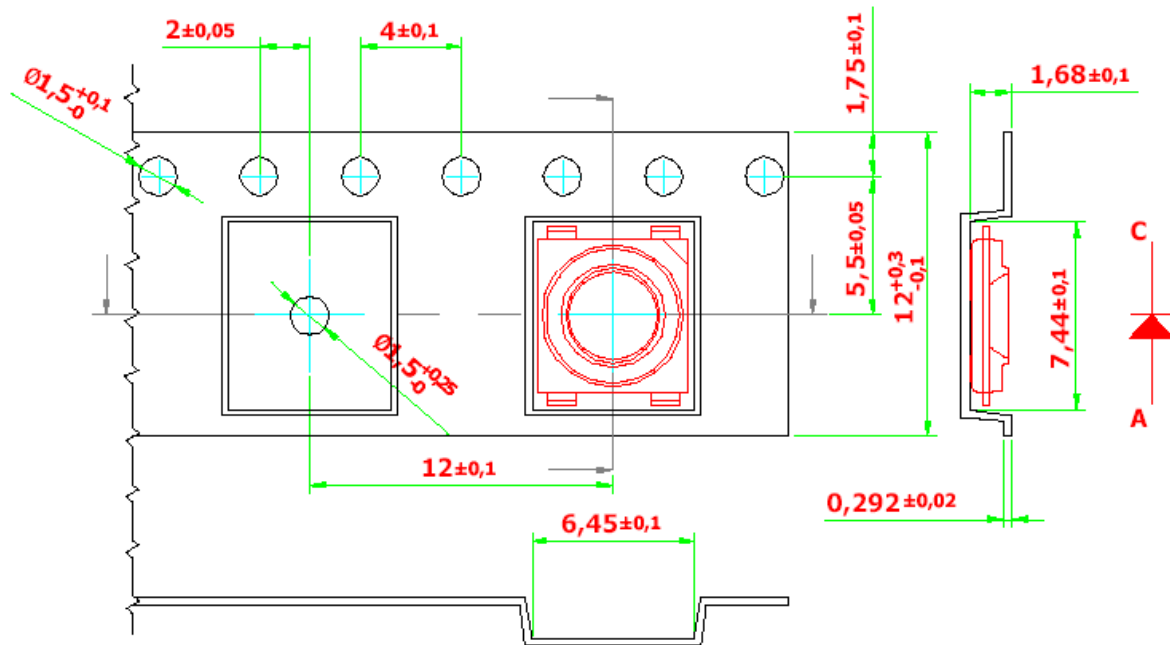




Taping And Orientation.

Reels come in quantity of 2000 units.

Reel diameters are 330 mm.





Recommended IR-Reflow Soldering Profile.

