

Type: BM-7A/BM-7AN

Product Description

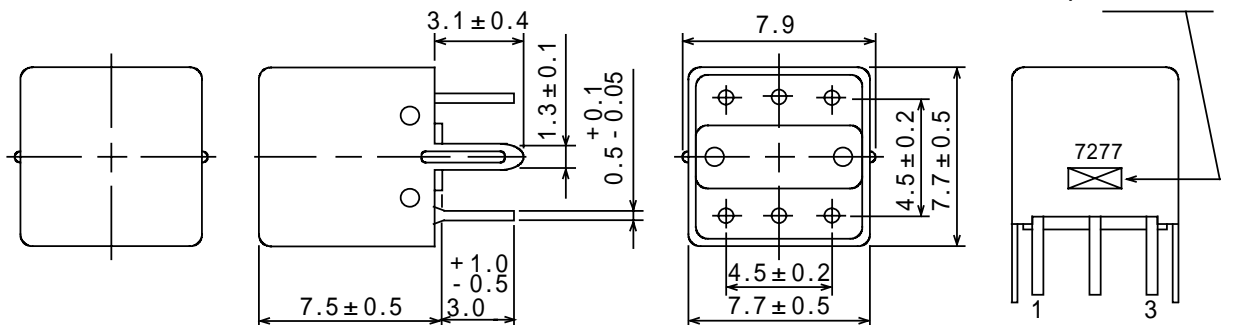
- 8.2 × 8.2mm Max.(L × W),8.0mm Max. Height(BM-7A,Shielded Type)
- 7.2 × 7.2mm Max.(L × W),7.0mm Max. Height(BM-7AN,Unshielded Type)
- Operating frequency: 100kHz ~ 1GHz

Feature

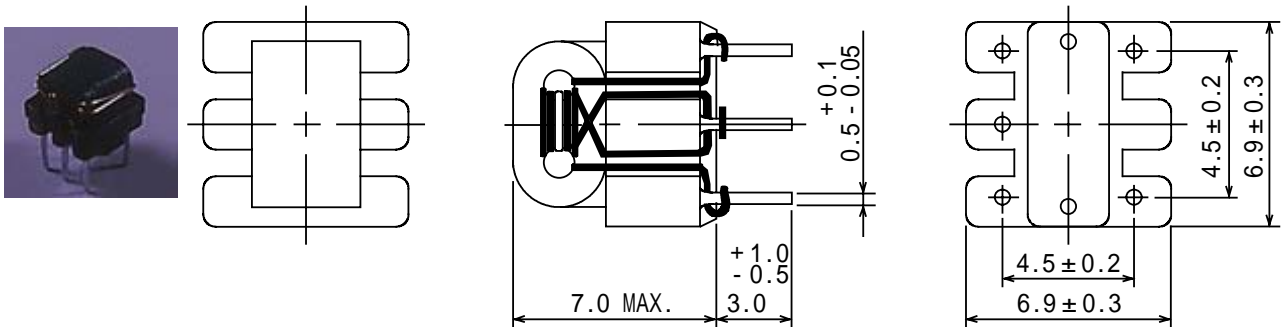
- Balance-unbalance transformer,common mode choke.
- Ideally used in EMC and balance-unbalance converter circuit, CATV signal transfer.
- RoHS Compliance.

Dimensions (mm)

BM-7A

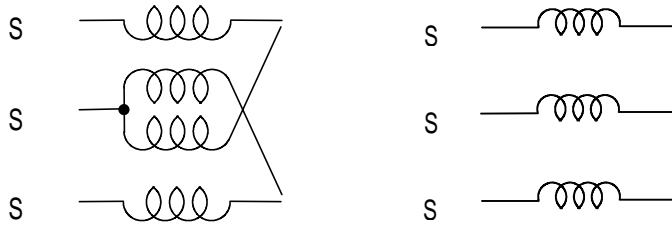


BM-7AN



Type: BM-7A/BM-7AN

Schematics(Bottom)



“S” is winding start.

Specification

Part No.	TYPE	1-6	2-4	2-6	3-4
2288-T005	BM-7A	4.5T	4.5T	4.5T	4.5T
2289-T004	BM-7AN	1.5T	3.5T	3.5T	1.5T
2289-T013	BM-7AN	0.5T	4.5T	4.5T	0.5T
2289-T021	BM-7AN	1.5T	11.5T	11.5T	1.5T
2289-T050	BM-7AN	3T	3T	3T	3T
2289-T052	BM-7AN	2T	5T	5T	2T
2289-T053	BM-7AN	2.5T	2.5T	2.5T	2.5T