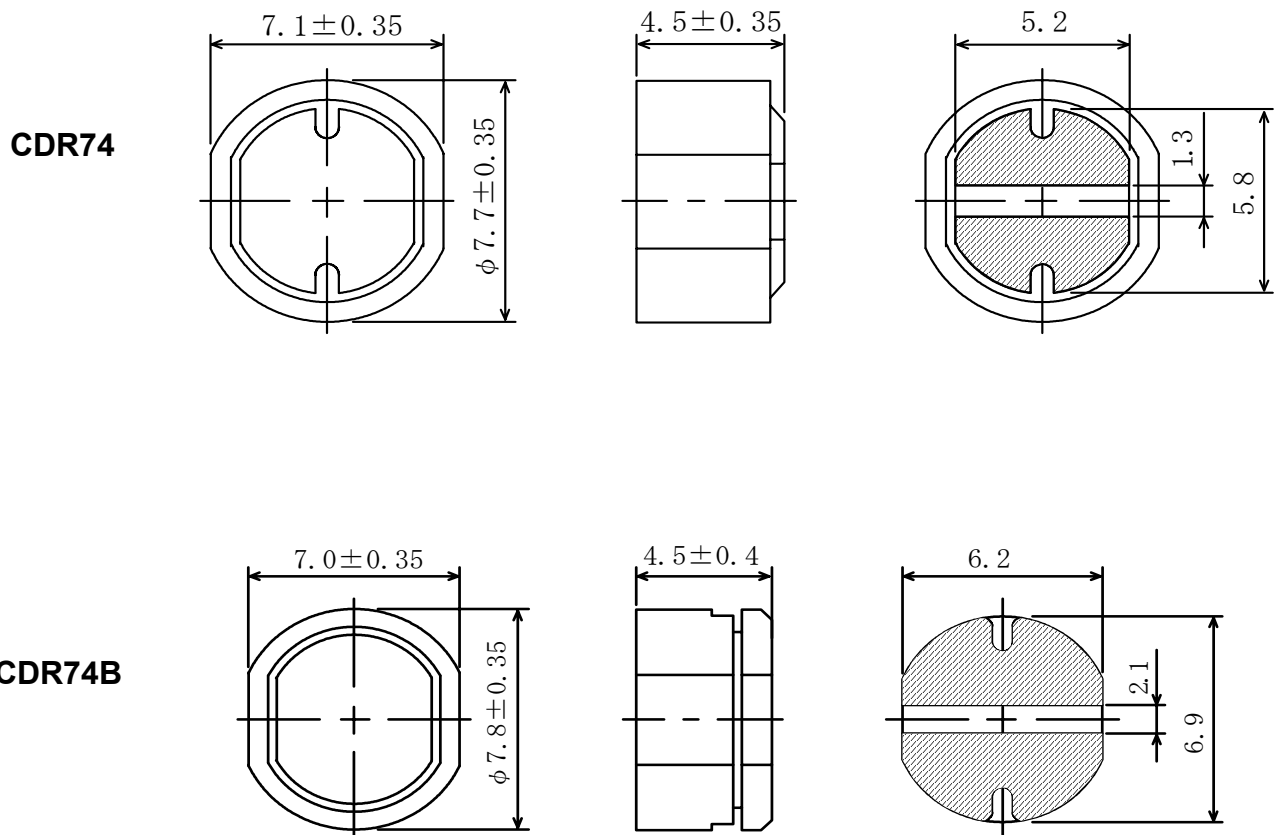


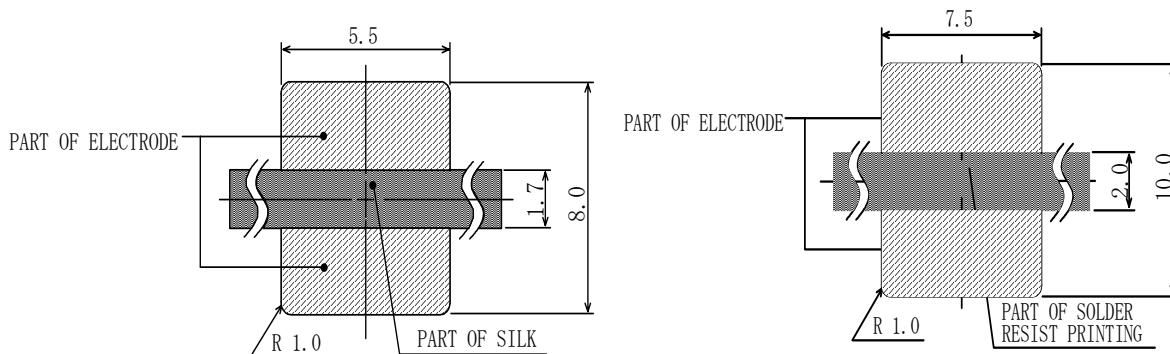
Type: CDR74, CDR74B
◆ Product Description

- 8.05×7.45mm Max.(L×W), 4.85mm Max. Height.(CDR74)
- 8.15×7.35mm Max.(L×W), 4.9mm Max. Height.(CDR74B)
- Inductance Range: 10~270 μ H
- Rated current range: 0.31~1.64A(CDR74) ; 0.33~1.65A(CDR74B).
- In addition to the standards versions shown here, custom inductors are also available to meet your exact requirements.


◆ Feature

- Magnetically shielded construction.
- Ideally used in Notebook PC, LCD TV, Game machine, HDD, DSC/DVC, etc as DC-DC Converter inductors.
- RoHS Compliance.

◆ Dimensions (mm)


Type: CDR74, CDR74B
◆ Land Pattern (mm)

CDR74
CDR74B
◆ Specification(CDR74)

Part name ※	Stamp	Inductance [within]	D.C.R.(Ω) [MAX.] (at 20°C)	Rated Current (A)※1-1	S.R.F. (MHz) [TYP.]	Measured frequency
CDR74NP-100N□	100	+25% 10 μ H-15%	0.07	1.64	29.8	at 2.52 MHz
CDR74NP-120N□	120	+25% 12 μ H-15%	0.08	1.50	26.4	
CDR74NP-150N□	150	+25% 15 μ H-15%	0.09	1.34	21.1	
CDR74NP-180N□	180	+25% 18 μ H-15%	0.11	1.22	20.0	
CDR74NP-220N□	220	+25% 22 μ H-15%	0.12	1.10	19.5	
CDR74NP-270N□	270	+25% 27 μ H-15%	0.17	1.00	16.5	
CDR74NP-330N□	330	+25% 33 μ H-15%	0.19	0.90	15.5	
CDR74NP-390N□	390	+25% 39 μ H-15%	0.21	0.83	14.4	
CDR74NP-470N□	470	+25% 47 μ H-15%	0.24	0.75	12.8	
CDR74NP-560N□	560	+25% 56 μ H-15%	0.32	0.69	11.6	
CDR74NP-680N□	680	+25% 68 μ H-15%	0.37	0.63	10.2	
CDR74NP-820N□	820	+25% 82 μ H-15%	0.40	0.57	9.95	
CDR74NP-101M□	101	+20% 100 μ H-15%	0.54	0.52	8.59	at 1 kHz
CDR74NP-121M□	121	+20% 120 μ H-15%	0.62	0.47	7.53	
CDR74NP-151M□	151	+20% 150 μ H-15%	0.86	0.42	7.00	
CDR74NP-181M□	181	+20% 180 μ H-15%	0.97	0.38	6.53	
CDR74NP-221M□	221	+20% 220 μ H-15%	1.31	0.35	5.07	
CDR74NP-271M□	271	+20% 270 μ H-15%	1.46	0.31	4.67	

Type: CDR74,CDR74B
◆ Specification(CDR74B)

Part name ※	Stamp	Inductance [within]	D.C.R.(Ω) MAX. (at 20°C)	Rated Current (A) ※1-2	S.R.F. (MHz) [TYP.]	Measured frequency
CDR74BNP-100M□	100	10 μH ± 20%	0.07	1.65	26.3	at 2.52 MHz
CDR74BNP-120M□	120	12 μH ± 20%	0.07	1.57	25.1	
CDR74BNP-150M□	150	15 μH ± 20%	0.08	1.39	19.9	
CDR74BNP-180M□	180	18 μH ± 20%	0.10	1.29	19.3	
CDR74BNP-220M□	220	22 μH ± 20%	0.13	1.12	18.4	
CDR74BNP-270M□	270	27 μH ± 20%	0.16	1.06	15.7	
CDR74BNP-330L□	330	33 μH ± 15%	0.18	0.97	15.3	
CDR74BNP-390L□	390	39 μH ± 15%	0.18	0.91	14.0	
CDR74BNP-470L□	470	47 μH ± 15%	0.27	0.80	12.4	
CDR74BNP-560L□	560	56 μH ± 15%	0.29	0.76	11.8	
CDR74BNP-680L□	680	68 μH ± 15%	0.33	0.68	10.0	
CDR74BNP-820L□	820	82 μH ± 15%	0.43	0.62	9.3	
CDR74BNP-101K□	101	100 μH ± 10%	0.49	0.55	8.3	at 1 kHz
CDR74BNP-121K□	121	120 μH ± 10%	0.68	0.49	7.3	
CDR74BNP-151K□	151	150 μH ± 10%	0.94	0.44	6.4	
CDR74BNP-181K□	181	180 μH ± 10%	1.00	0.40	5.6	
CDR74BNP-221K□	221	220 μH ± 10%	1.18	0.36	5.4	
CDR74BNP-271K□	271	270 μH ± 10%	1.30	0.33	4.6	

※ Description of part name

CDR74BNP-100M□

└──	B	Box
└──	C	Carrier Tape

※1-1. Rated current: The D.C. current at which the inductance decreases to 80% of it's nominal value or when $\Delta t=40^{\circ}\text{C}$, whichever is lower($T_a=20^{\circ}\text{C}$).

※1-2. Rated current: The D.C. current at which the inductance decreases to 90% of it's initial value or when $\Delta t=40^{\circ}\text{C}$, whichever is lower($T_a=20^{\circ}\text{C}$).