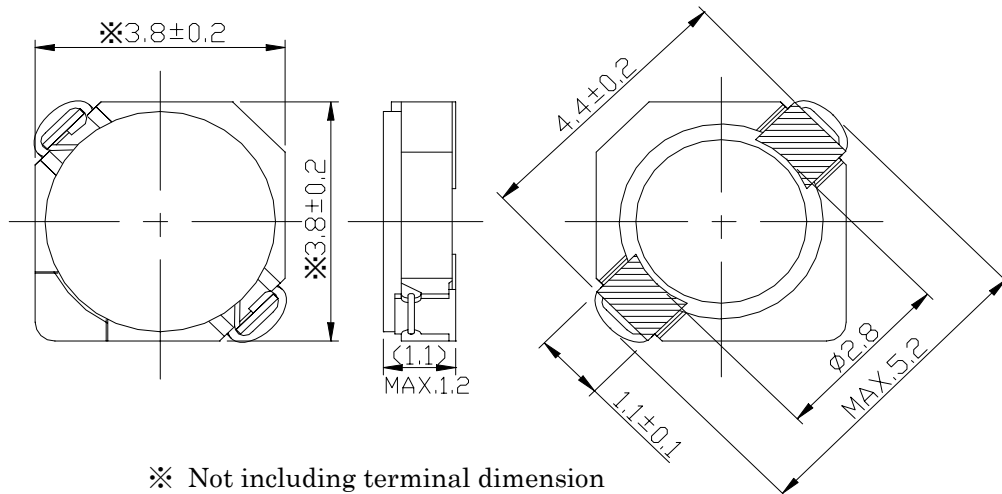
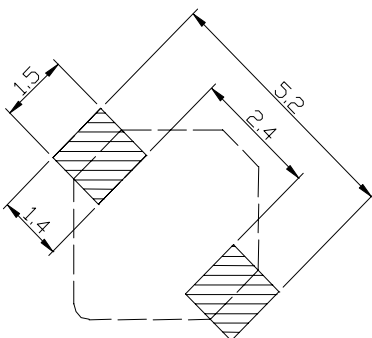


Type: CDRH3D11, CDRH3D11/HP
◆ Product Description

- 4.0×4.0mm Max.(L×W), 1.2mm Max.Height.
- Both standard type CDRH3D11 and high power type CDRH3D11/HP are available.
- Inductance range: 2.7~39 μ H(CDRH3D11); 0.6~22 μ H(CDRH3D11/HP).
- Rated current range: 0.14~0.53A(CDRH3D11); 0.33~1.8A(CDRH3D11/HP).
- In addition to the standards versions shown here, custom inductors are also available to meet your exact requirements.


◆ Feature

- Magnetically shielded construction.
- Ideally used in Mobilephone, PDA, MP3, DSC/DVC, Portable DVD, etc as DC-DC Converter inductors.
- RoHS Compliance.

◆ Dimensions (mm)

◆ Land Pattern (mm)


Type: CDRH3D11, CDRH3D11/HP
◆ Specification (CDRH3D11)

| Part Name ※ | Stamp | Inductance (μ H) [Within] 100kHz/1V | D.C.R.(m Ω) Max.(Typ.) (at 20°C) | Saturation Current (A) ※1 | Temperature Rise current (A) ※2 |
|------------------------------|-------|--|--|---------------------------------|---------------------------------------|
| CDRH3D11NP-2R7N□ | A | 2.7 \pm 30% | 78(60) | 0.53 | 1.82 |
| CDRH3D11NP-4R7N□ | B | 4.7 \pm 30% | 123(95) | 0.40 | 1.38 |
| CDRH3D11NP-6R8N□ | C | 6.8 \pm 30% | 180(150) | 0.34 | 1.05 |
| CDRH3D11NP-8R2N□ | D | 8.2 \pm 30% | 204(170) | 0.32 | 0.93 |
| CDRH3D11NP-10 \emptyset N□ | E | 10 \pm 30% | 240(200) | 0.28 | 0.90 |
| CDRH3D11NP-12 \emptyset N□ | F | 12 \pm 30% | 276(230) | 0.25 | 0.81 |
| CDRH3D11NP-15 \emptyset N□ | G | 15 \pm 30% | 372(310) | 0.23 | 0.68 |
| CDRH3D11NP-18 \emptyset N□ | H | 18 \pm 30% | 468(390) | 0.21 | 0.58 |
| CDRH3D11NP-22 \emptyset N□ | I | 22 \pm 30% | 540(450) | 0.19 | 0.53 |
| CDRH3D11NP-27 \emptyset N□ | J | 27 \pm 30% | 726(605) | 0.17 | 0.48 |
| CDRH3D11NP-33 \emptyset N□ | K | 33 \pm 30% | 822(685) | 0.15 | 0.41 |
| CDRH3D11NP-39 \emptyset N□ | L | 39 \pm 30% | 942(785) | 0.14 | 0.40 |

◆ Specification (CDRH3D11/HP)

| Part Name ※ | Stamp | Inductance (μ H) [Within] 100kHz/1V | D.C.R.(m Ω) Max.(Typ.) (at 20°C) | Saturation Current (A) ※1 | | Temperature Rise current (A) ※2 |
|--------------------------------|-------|--|--|------------------------------|------------|---------------------------------------|
| | | | | (at 20°C) | (at 105°C) | |
| CDRH3D11HPNP-0R6N□ | A | 0.6 \pm 25% | 59(45) | 2.90 | 2.10 | 1.80 |
| CDRH3D11HPNP-1R2N□ | B | 1.2 \pm 25% | 82(63) | 2.00 | 1.50 | 1.70 |
| CDRH3D11HPNP-1R5N□ | C | 1.5 \pm 25% | 104(80) | 1.85 | 1.40 | 1.45 |
| CDRH3D11HPNP-2R2N□ | D | 2.2 \pm 25% | 143(110) | 1.60 | 1.20 | 1.15 |
| CDRH3D11HPNP-3R3N□ | E | 3.3 \pm 25% | 182(140) | 1.25 | 0.90 | 0.95 |
| CDRH3D11HPNP-4R7N□ | F | 4.7 \pm 25% | 234(180) | 1.00 | 0.70 | 0.90 |
| CDRH3D11HPNP-6R8N□ | G | 6.8 \pm 25% | 377(290) | 0.85 | 0.63 | 0.70 |
| CDRH3D11HPNP-10 \emptyset N□ | H | 10.0 \pm 25% | 413(330) | 0.80 | 0.60 | 0.60 |
| CDRH3D11HPNP-12 \emptyset N□ | I | 12.0 \pm 25% | 585(470) | 0.64 | 0.45 | 0.48 |
| CDRH3D11HPNP-15 \emptyset N□ | J | 15.0 \pm 25% | 653(520) | 0.58 | 0.42 | 0.45 |
| CDRH3D11HPNP-18 \emptyset N□ | K | 18.0 \pm 25% | 888(710) | 0.52 | 0.40 | 0.40 |
| CDRH3D11HPNP-22 \emptyset N□ | L | 22.0 \pm 25% | 1012(810) | 0.45 | 0.35 | 0.33 |

※ Description of part name

CDRH3D11HPNP-0R6N□

- B Box
- C Carrier Tape

※1.Saturation Current: The DC current at which the inductance decreases to 65% of it's nominal value

 ※2 Temperature rise current:The DC current at which the temperature rise is $\Delta t=40^{\circ}\text{C}$.($T_a=20^{\circ}\text{C}$)