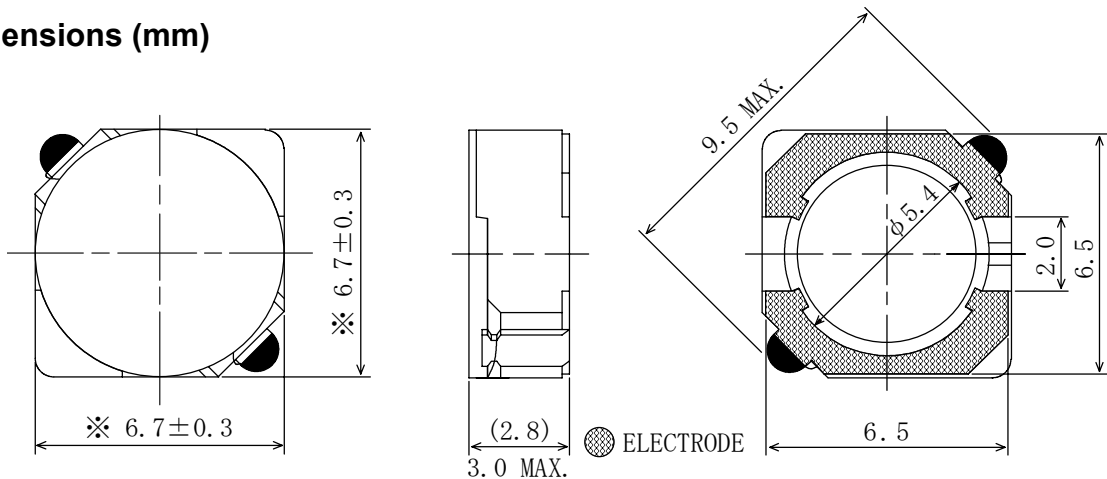
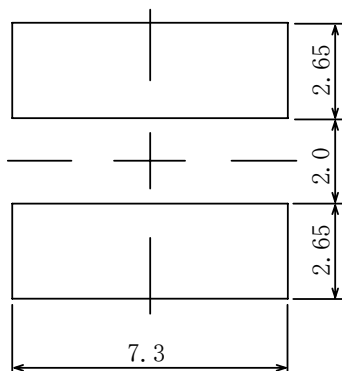
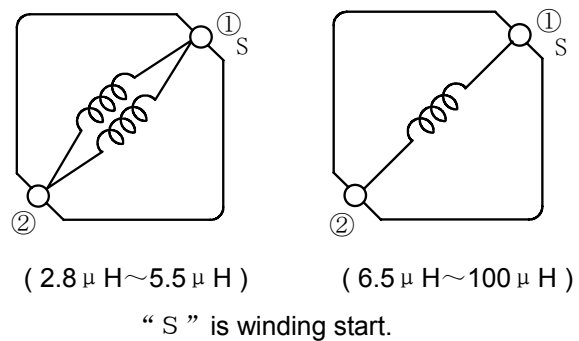


Type: CDRH6D28/G
◆ Product Description

- 7.0×7.0mm Max.(L×W), 3.0mm Max. Height.
- Inductance Range: 2.8 μH ~ 100 μH
- Rated current range: 0.55 ~ 3.05A
- In addition to the standard versions of inductors shown here, custom inductors are available to meet your exact requirements.

◆ Feature

- Magnetically shielded construction.
- Ideally used in Mobile phone, Notebook, MP3, PDA, HDD, DSC/DVC, etc as DC-DC Converter inductors.
- RoHS Compliance.

◆ Dimensions (mm)

◆ Land Pattern (mm)

◆ Schematics (Bottom)


Type: CDRH6D28/G
◆ Specification

Part Name	Stamp	Inductance [Within] ※1	D.C.R.(Ω) [Max.] (At 20℃) ※2	Dc Superposition Permission Current (A) ※3		Temperature Rise Current(A) ※4
				(at 25℃)	(at 105℃)	
CDRH6D28NP/G-2R8N□	2R8	2.8 μ H ± 30%	24m (18m)	3.05	2.57	3.80
CDRH6D28NP/G-3R6N□	3R6	3.6 μ H ± 30%	27m (20m)	2.80	2.36	3.60
CDRH6D28NP/G-4R5N□	4R5	4.5 μ H ± 30%	31m (23m)	2.60	2.20	3.40
CDRH6D28NP/G-5R5N□	5R5	5.5 μ H ± 30%	35m (26m)	2.32	1.92	3.30
CDRH6D28NP/G-6R5N□	6R5	6.5 μ H ± 30%	54m (40m)	2.18	1.80	2.40
CDRH6D28NP/G-7R7N□	7R7	7.7 μ H ± 30%	58m (43m)	1.90	1.65	2.30
CDRH6D28NP/G-9R0N□	9R0	9.0 μ H ± 30%	65m (48m)	1.76	1.50	2.15
CDRH6D28NP/G-100N□	100	10 μ H ± 30%	70m (52m)	1.68	1.42	2.05
CDRH6D28NP/G-120N□	120	12 μ H ± 30%	74m (55m)	1.57	1.33	1.95
CDRH6D28NP/G-150N□	150	15 μ H ± 30%	85m (63m)	1.36	1.12	1.85
CDRH6D28NP/G-180N□	180	18 μ H ± 30%	115m (85m)	1.27	1.06	1.57
CDRH6D28NP/G-220N□	220	22 μ H ± 30%	131m (97m)	1.16	0.98	1.48
CDRH6D28NP/G-270N□	270	27 μ H ± 30%	146m(108m)	1.06	0.88	1.42
CDRH6D28NP/G-330N□	330	33 μ H ± 30%	212m(157m)	0.97	0.82	1.15
CDRH6D28NP/G-390N□	390	39 μ H ± 30%	232m(172m)	0.88	0.73	1.10
CDRH6D28NP/G-470N□	470	47 μ H ± 30%	270m(200m)	0.77	0.65	1.05
CDRH6D28NP/G-560N□	560	56 μ H ± 30%	290m(215m)	0.70	0.60	1.00
CDRH6D28NP/G-680N□	680	68 μ H ± 30%	382m(283m)	0.66	0.55	0.77
CDRH6D28NP/G-820N□	820	82 μ H ± 30%	506m(375m)	0.58	0.48	0.72
CDRH6D28NP/G-101N□	101	100 μ H ± 30%	587m(435m)	0.55	0.45	0.68

※ Description of part name

CDRH6D28NP/G-2R8N□

— B Box
 — C Carrier Tape

※1: Measure frequency: 10kHz

※2: () are typical value.

※3: DC superposition permission current: the D.C. current at which the inductance decreases to 65% of the nominal value.

※4: Temperature rise current: the dc current at which temperature rise is 40℃. (Ta=20℃)