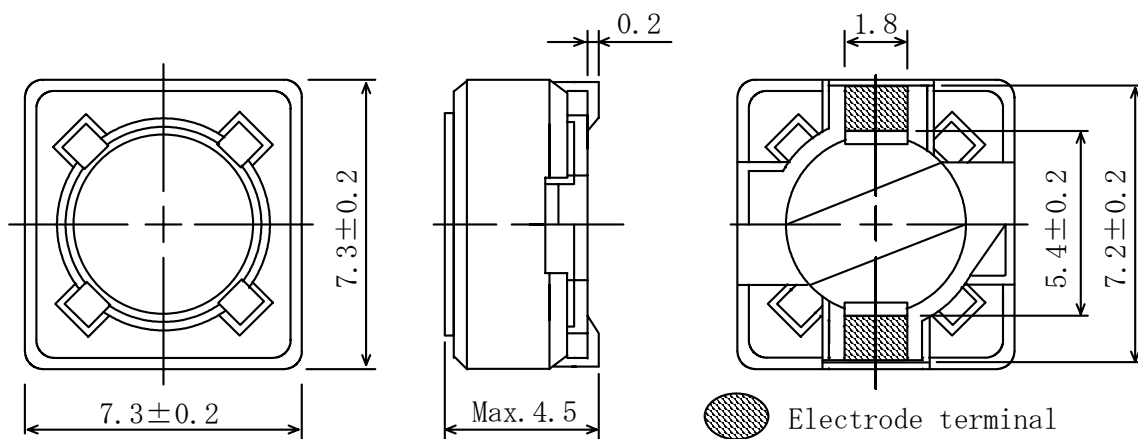
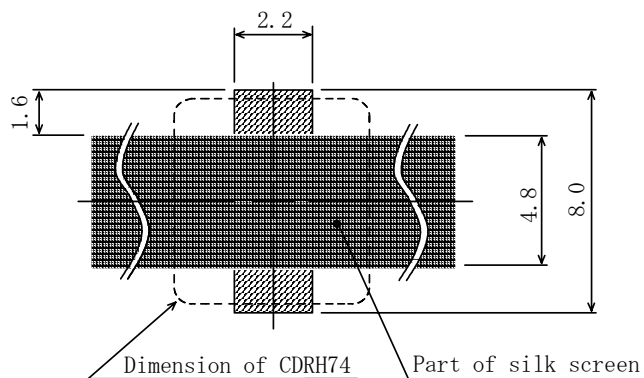


**Type: CDRH74**
**◆ Product Description**

- 7.5×7.5mm Max.(L×W), 4.5mm Max. Height.
- Inductance Range: 10 μ H~1.0mH
- Rated current range: 0.18~1.84A
- In addition to the standard versions of inductors shown here, custom inductors are available to meet your exact requirements.


**◆ Feature**

- Magnetically shielded construction.
- Ideally used in Notebook PC, LCD TV, DVD, Game machine, STB, Projector etc as DC-DC Converter inductors.
- RoHS Compliance

**◆ Dimensions (mm)**

**◆ Land Pattern (mm)**


**Type: CDRH74**
**◆ Specification**

Part Name ※	Stamp	Inductance [within] 100kHz	D.C.R.(Ω) Max.(Typ.) (at 20°C)	Rated current (A)※1
CDRH74NP-100M□	100	10 μH ± 20%	49m(38m)	1.84
CDRH74NP-120M□	120	12 μH ± 20%	58m(44m)	1.71
CDRH74NP-150M□	150	15 μH ± 20%	81m(62m)	1.47
CDRH74NP-180M□	180	18 μH ± 20%	91m(70m)	1.31
CDRH74NP-220M□	220	22 μH ± 20%	0.11(77m)	1.23
CDRH74NP-270M□	270	27 μH ± 20%	0.15(0.12)	1.12
CDRH74NP-330M□	330	33 μH ± 20%	0.17(0.13)	0.96
CDRH74NP-390M□	390	39 μH ± 20%	0.23(0.18)	0.91
CDRH74NP-470M□	470	47 μH ± 20%	0.26(0.20)	0.88
CDRH74NP-560M□	560	56 μH ± 20%	0.35(0.27)	0.75
CDRH74NP-680M□	680	68 μH ± 20%	0.38(0.30)	0.69
CDRH74NP-820M□	820	82 μH ± 20%	0.43(0.33)	0.61
CDRH74NP-101M□	101	100 μH ± 20%	0.61(0.47)	0.60
CDRH74NP-121M□	121	120 μH ± 20%	0.66(0.51)	0.52
CDRH74NP-151M□	151	150 μH ± 20%	0.88(0.68)	0.46
CDRH74NP-181M□	181	180 μH ± 20%	0.98(0.76)	0.42
CDRH74NP-221M□	221	220 μH ± 20%	1.17(0.90)	0.36
CDRH74NP-271M□	271	270 μH ± 20%	1.64(1.32)	0.34
CDRH74NP-331M□	331	330 μH ± 20%	1.86(1.49)	0.32
CDRH74NP-391M□	391	390 μH ± 20%	2.85(2.28)	0.29
CDRH74NP-471M□	471	470 μH ± 20%	3.01(2.41)	0.26
CDRH74NP-561M□	561	560 μH ± 20%	3.62(2.89)	0.23
CDRH74NP-681M□	681	680 μH ± 20%	4.63(3.71)	0.22
CDRH74NP-821M□	821	820 μH ± 20%	5.20(4.16)	0.20
CDRH74NP-102M□	102	1.0mH ± 20%	6.00(4.80)	0.18

**※ Description of part name**

CDRH74NP-100M□

- B Box
- C Carrier Tape

※1 Rated current: The DC current at which the inductance decreases to 75% of its nominal value or when  $\Delta t=40^{\circ}\text{C}$ , whichever is lower ( $T_a=20^{\circ}\text{C}$ ).