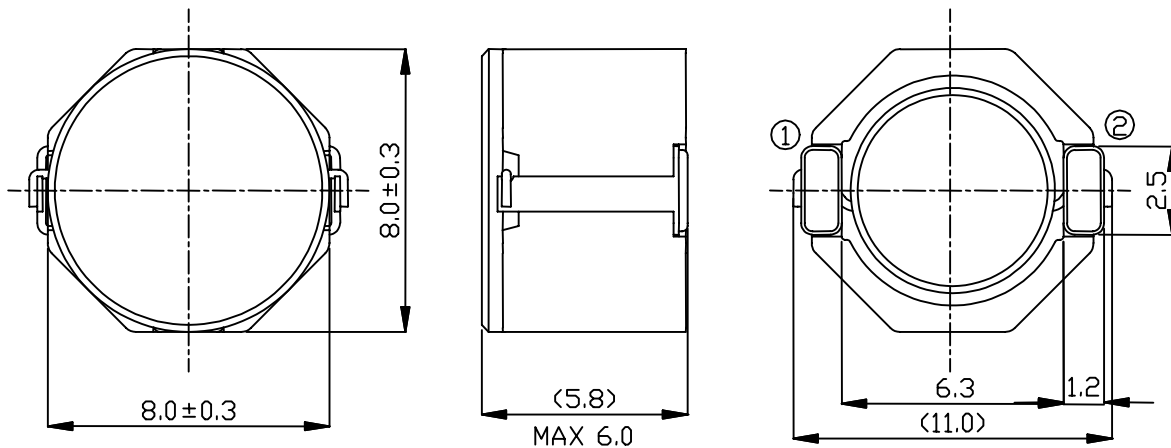
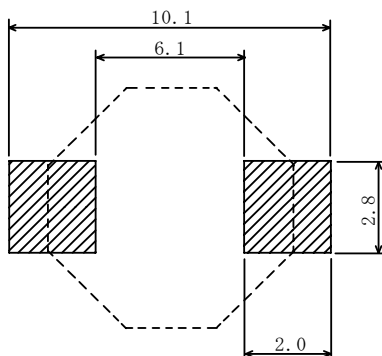


Type: CDRH8D58/LD
◆ Product Description

- 8.3×8.3mm Max.(L×W) , 6.0mm Max. Height.
- Inductance range: 2.8~100 μ H
- Rated current range: 0.8~4.7A
- In addition to the standards versions shown here, custom inductors are also available to meet your exact requirements.


◆ Feature

- Magnetically shielded construction.
- Ideally used in Notebook PC, Game machine, DVD, LCD TV ,STB etc as DC-DC Converter inductors.
- RoHS Compliance.

◆ Dimensions (mm)

◆ Land Pattern (mm)


Type: CDRH8D58/LD
◆ Specification

Part Name ※	Stamp	Inductance [Within] 100kHz/1V	D.C.R.(mΩ) Max.(Typ.) (at 20°C)	Saturation Current (A) ※1		Temperature rise current (A)※2
				(at 20°C)	(at100°C)	
CDRH8D58/LDNP-2R8N□	2R8	2.8 μ H±30%	15.0(12)	4.7	4.0	6.90
CDRH8D58/LDNP-3R9N□	3R9	3.9 μ H±30%	16.3(13)	4.1	3.5	6.30
CDRH8D58/LDNP-5R0N□	5R0	5.0 μ H±30%	17.5(14)	3.8	3.1	6.00
CDRH8D58/LDNP-6R2N□	6R2	6.2 μ H±30%	20.0(16)	3.3	2.7	5.50
CDRH8D58/LDNP-100N□	100	10 μ H±30%	25.6(20.5)	2.6	2.2	4.50
CDRH8D58/LDNP-150N□	150	15 μ H±30%	36.3(29.0)	2.3	1.9	3.60
CDRH8D58/LDNP-220N□	220	22 μ H±30%	45.3(36.2)	1.7	1.4	3.30
CDRH8D58/LDNP-330N□	330	33 μ H±30%	65.3(52.2)	1.5	1.3	2.70
CDRH8D58/LDNP-470N□	470	47 μ H±30%	90.5(72.4)	1.2	1.0	2.20
CDRH8D58/LDNP-680N□	680	68 μ H±30%	130(104)	1.0	0.9	1.70
CDRH8D58/LDNP-101N□	101	100 μ H±30%	175(140)	0.8	0.7	1.40

※ Description of part name

CDRH8D58/LDNP-2R8N□

└──	B	Box
└──	C	Carrier Tape

※1. Saturation current: The DC current at which the inductance decreases to 65% of its nominal value.

※2. Temperature rise current: The DC current at which the temperature rise is Δt=40°C.(Ta=20°C).