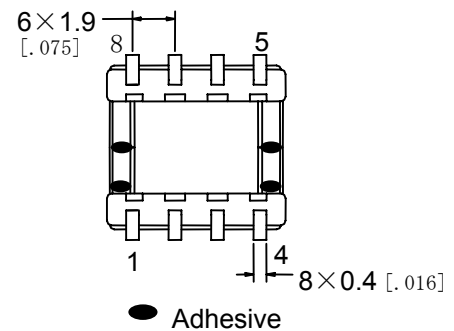
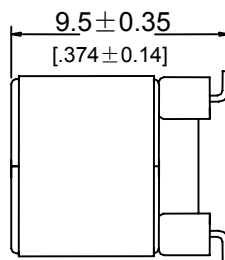
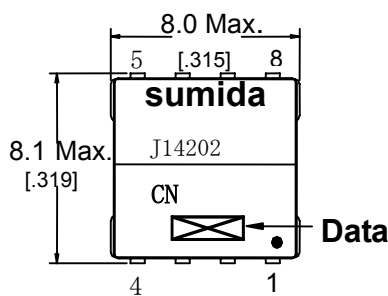
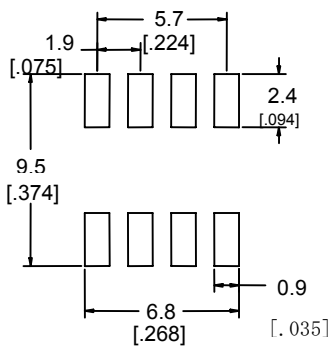
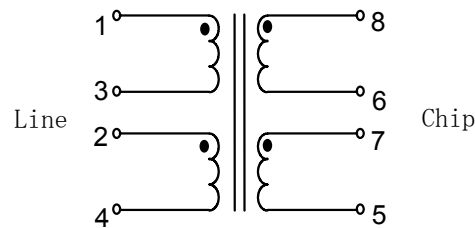


**Type: CEP710B**
**◆ Product Description**

- 8.1×8.0mm Max. (L×W),9.85mm Max. height.
- In addition to the typical versions of parameters shown here, custom parameters are available to meet your exact requirement.


**◆ Feature**

- VDSL line transformer.
- Ideally used in VDSL/VDSL2 CO equipments.
- Approved by Broadcom and Alcatel.
- RoHS Compliance

**◆ Dimensions (mm)**

**◆ Land Pattern (mm)**

**◆ Schematics (Bottom)**

**◆ Specification**

Part No.	Inductance (μH)	Turns ratio	THD (dB) (TYP.)	Insulation	Application
J14202	420 ± 10%	2.5:1	-60dB(30K, 3.0V)	Functional	VDSL2 CO
J14207	420 ± 10%	2.5:1	-60dB(30K, 3.0V)	Functional	VDSL2 CO
J14208	100 ± 10%	2.5:1	-80dB(100KHz, 3.V)	Functional	VDSL2 CO