

Type: CLS 126

◆ **Product Description**

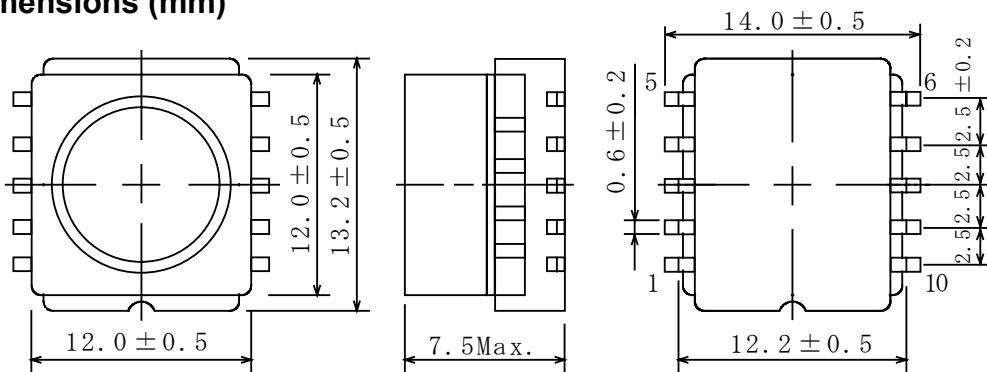
- 13.7 × 12.5mm Max.(L×W),7.5mm Max. Height.
- In addition to the typical versions of parameters shown here, custom designs are available to meet your exact requirements.



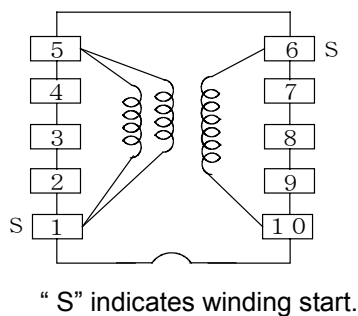
◆ **Feature**

- Magnetically shielded construction.
- Max. Operating frequency 500kHz.
Max Operating Power 3.7W (500kHz),2.5W(300kHz),1.1W(100kHz).
- Ideally used in Multiple Output, used as power choke.
- RoHS Compliance

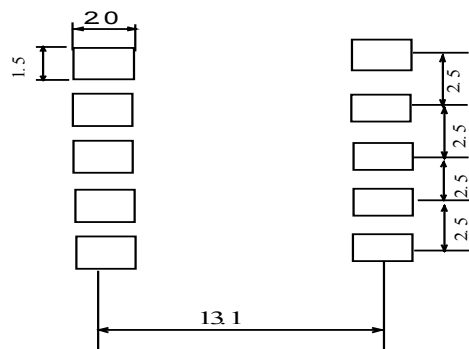
◆ **Dimensions (mm)**



◆ **Schematics (Bottom)**



◆ **Land Pattern (mm)**



◆ **Specification**

Sample No.	Inductance (6-10) 1kHz/1V	D.C.R. (6-10) @ 20°C	Hi-pot (1,5-6,10)
6320-T042	1.1mH±30%	2.60 Ω Max.	DC 500V/1 Min.