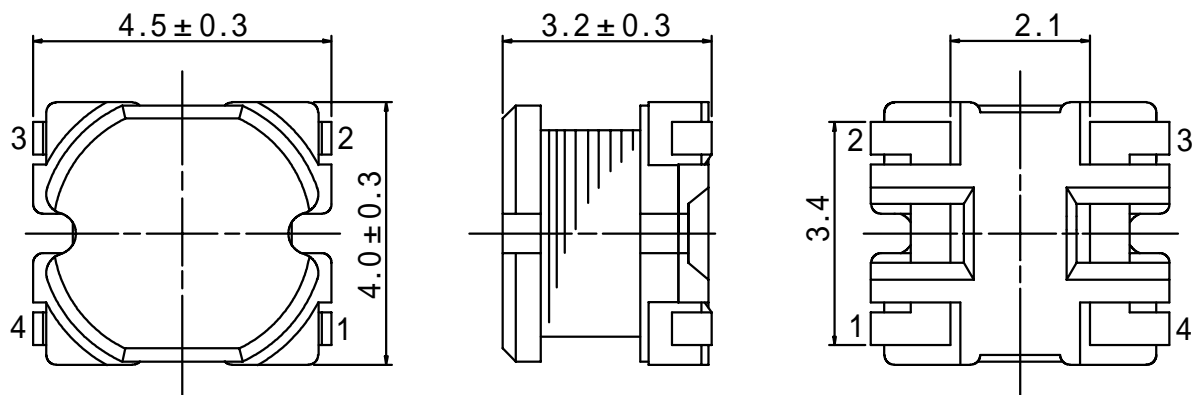


Type: CR43
Product Description

- 4.8 × 4.3mm Max.(L × W), 3.5mm Max. Height.
- Inductance Range: 1.0 ~ 68 μ H
- Rated current range:0.37 ~ 2.56A
- In addition to the standard versions of inductors shown here, custom inductors are available to meet your exact requirements.


Feature

- Magnetically unshielded construction.
- Ideally used in A/V equipment, LCD TV,DSC/DVC, Game Machine, DVC, HDD, Notebook PC, etc as DC-DC Converter inductors.
- RoHS Compliance

Dimensions (mm)

Land Pattern (mm)
