

Type: ER4029

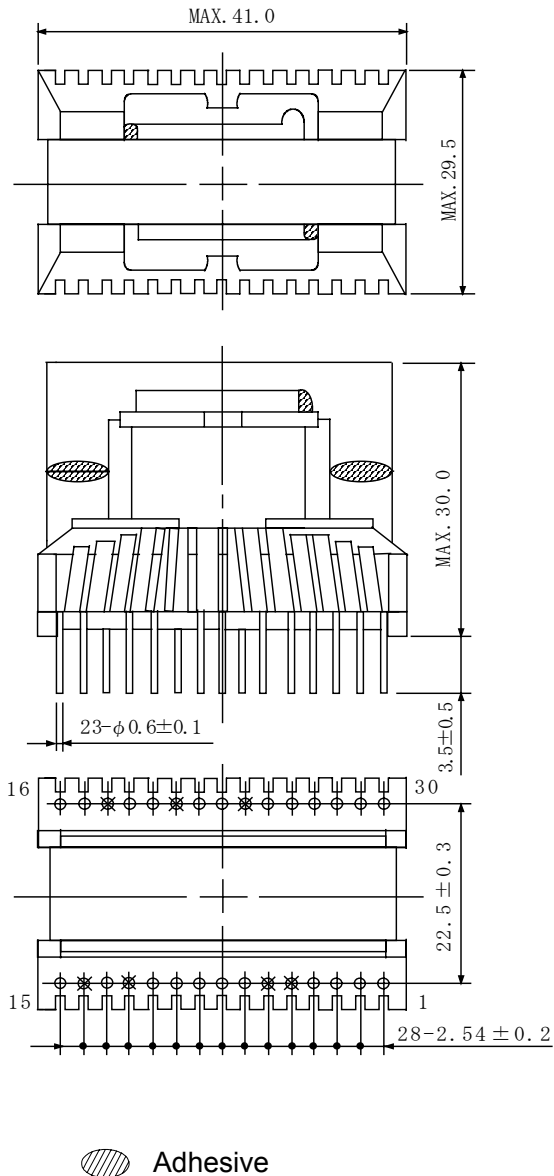
◆ **Product Description**

- 35.0×25.0mm Max.(L×W), 25.0mm Max. Height.
- In addition to the typical versions of parameters shown here, custom designs are available to meet your exact requirements

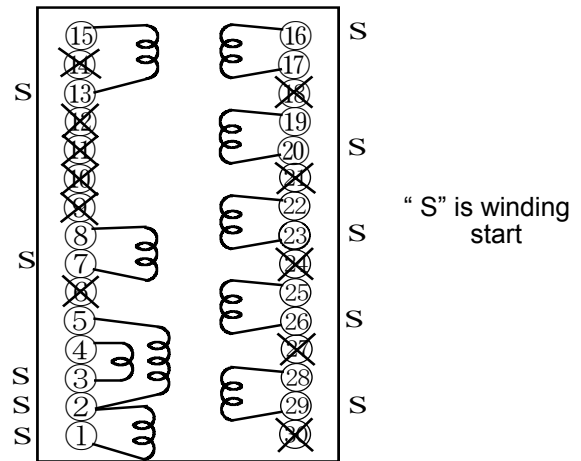
◆ **Feature**

- Max. Operating frequency 500kHz,Max. Operating Power 55.0W(500kHz).
- Ideally used in Switching regulator, EL inverter.
- RoHS Compliance

◆ **Dimensions (mm)**



◆ **Schematics (Bottom)**



◆ **Specification**

Sample NO.	3344-T066
Inductance (13-15)(at 1kHz)	4.0mH±20%
D. C. R. (at 20°C) (13-15)	1.70Ω (Ref.)
Hi-pot (50/60Hz) (13,15-3,4)/ (13,15-2,5)/ (13,15-1,2)	AC 3000V 1 Minute
Hi-pot (50/60Hz) (13,15-20,29)/ (13,15-23,22)/ (13,15-26,25)	AC 2500V 1 Minute
Hi-pot (50/60Hz) (13,15- 16,17)	AC 2000V 1 Minute