

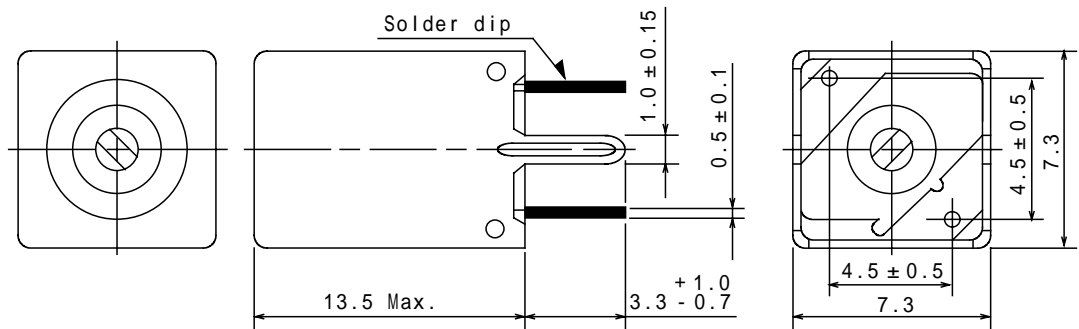
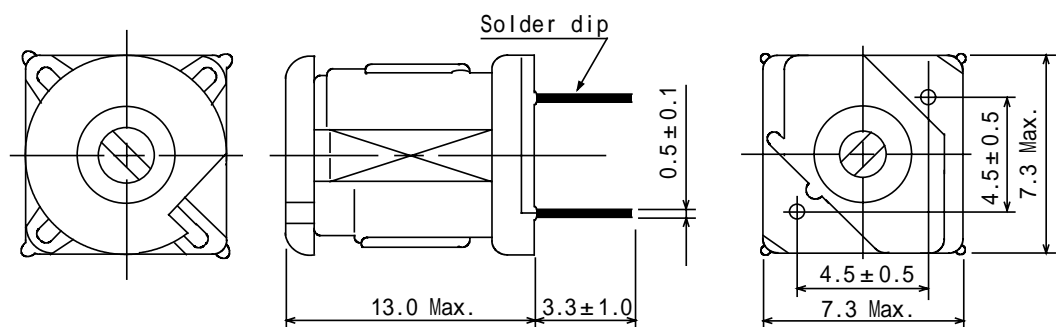
Type: FEM-7B, FEM-7BN
Product Description

- 7.3x7.3mm Max.(LxW), 13.5mm Max. Height. (FEM-7B)
- 7.3 x 7.3mm Max.(L x W), 13.0mm Max. Height. (FEM-7BN)
- Inductance:0.05 ~ 0.5 μ H .
- Operating frequency:200MHz
- In addition to the standard versions of parameters shown here, custom designs are available to meet your exact requirements.

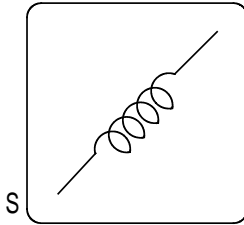
Feature

- Both shielded(FEM-7B) and unshielded(FEM-7BN) types are available.
- Ideally used in FM Radio ,TV. Transceiver
- High class Molded.
- RoHS Compliance

Dimensions (mm)

FEM-7B

FEM-7BN


- * Dimension does not include solder used on coil.
- * Pin pitch should be measured at the root of terminal.
- * Dimensions without tolerance are approx.

Type: FEM-7B, FEM-7BN
Connection (Bottom View)


S " is winding start.

Specification (FEM-7B)

Part No.	Stamp	Color	Turns	Tuning capacitance (Variable)	Unloaded Q(Min.)	Measuring frequency (MHz)
FEM7BNP-1F	01F	Natural	1½T	78.1pF±2%	45	100
FEM7BNP-2F	02F	Red	2½T	49.7pF±3%	50	100
FEM7BNP-3F	03F	Orange	3½T	34.1pF±4%	50	100
FEM7BNP-4F	04F	Yellow	4½T	24.9pF±4%	50	100
FEM7BNP-5F	05F	Green	5½T	19.5pF±5%	55	100
FEM7BNP-6F	06F	Blue	6½T	15.5pF±5%	50	100
FEM7BNP-7F	07F	Violet	7½T	21.3pF±5%	50	80
FEM7BNP-8F	08F	Gray	8½T	18.1pF±5%	50	80
FEM7BNP-9F	09F	White	9½T	15.6pF±5%	50	80
FEM7BNP-10F	10F	Black	10½T	26.0pF±4%	45	60
FEM7BNP-11F	11F	Natural	11½T	23.3pF±4%	45	60
FEM7BNP-12F	12F	Red	12½T	21.0pF±4%	45	60
FEM7BNP-13F	13F	Orange	13½T	19.3pF±4%	45	60
FEM7BNP-14F	14F	Yellow	14½T	17.6pF±3%	45	60
FEM7BNP-15F	15F	Green	15½T	15.8pF±3%	45	60

Variable range of tuning capacitance allows screw core to have 1.0T Max. out from the top of coil.

* VHF Q-METER to be used when measuring.

Type: FEM-7B, FEM-7BN
Specification (FEM-7BN)

Part No.	Color	Turns	Tuning capacitance (Variable)	Unloaded Q(Min.)	Measuring frequency (MHz)
FEM7BNNP-1F	Natural	1½T	68.0pF±3%	55	100
FEM7BNNP-2F	Red	2½T	40.0pF±4%	65	100
FEM7BNNP-3F	Orange	3½T	26.3pF±5%	70	100
FEM7BNNP-4F	Yellow	4½T	18.6pF±5%	70	100
FEM7BNNP-5F	Green	5½T	14.0pF±5%	70	100
FEM7BNNP-6F	Blue	6½T	18.0pF±5%	65	80
FEM7BNNP-7F	Violet	7½T	14.7pF±5%	65	80
FEM7BNNP-8F	Gray	8½T	12.3pF±5%	65	80
FEM7BNNP-9F	White	9½T	19.8pF±5%	60	60
FEM7BNNP-10F	Black	10½T	17.8pF±5%	60	60
FEM7BNNP-11F	Natural	11½T	14.8pF±4%	60	60
FEM7BNNP-12F	Red	12½T	13.0pF±4%	60	60
FEM7BNNP-13F	Orange	13½T	28.9pF±4%	55	40
FEM7BNNP-14F	Yellow	14½T	26.3pF±4%	50	40
FEM7BNNP-15F	Green	15½T	23.3pF±4%	50	40

Variable range of tuning capacitance allows screw core to have 1.0T Max. out from the top of coil.

* VHF Q-METER to be used when measuring.