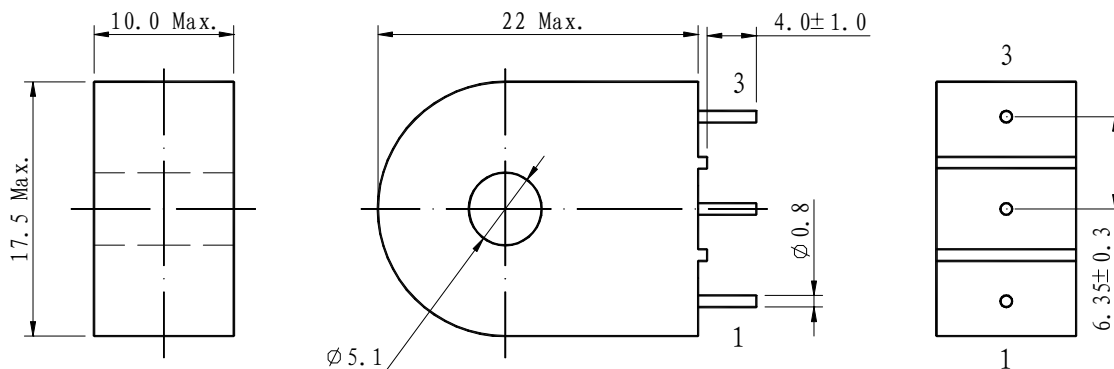
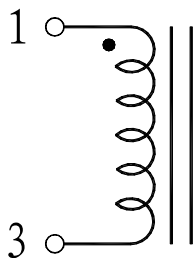


Type: CS1022
◆ Product Description

- 17.5×10.0mm Max.(L×W), 22.0mm Max.(Height)
- Custom design is available.


◆ Feature

- Maximum ratings specified with rated secondary terminating resistance and 1 turn primary.
- Designed for switching power supply application.
- Transformer meets IEC950 insulation requirement.
- Operating Frequency range: 20kHz~200kHz.
- RoHS Compliance

◆ Dimensions (mm)

◆ Schematics (Bottom)

◆ Specification

Sample No.	Turns Ratio	Current Rating (Pri.)	Secondary L 10kHz/0.1V	D.C.R. Sec. (Ω Max.)	Hi-pot(Pri.-Sec.) (50/60Hz)
PS05-166	1:200	20.0 A	123mH±35%	4.8	AC4000Vrms