

# 90° HYBRID COUPLER MODEL DQK-1723S

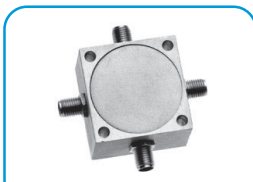
**OPTIMIZED BANDWIDTH**

**1700 - 2300 MHz**

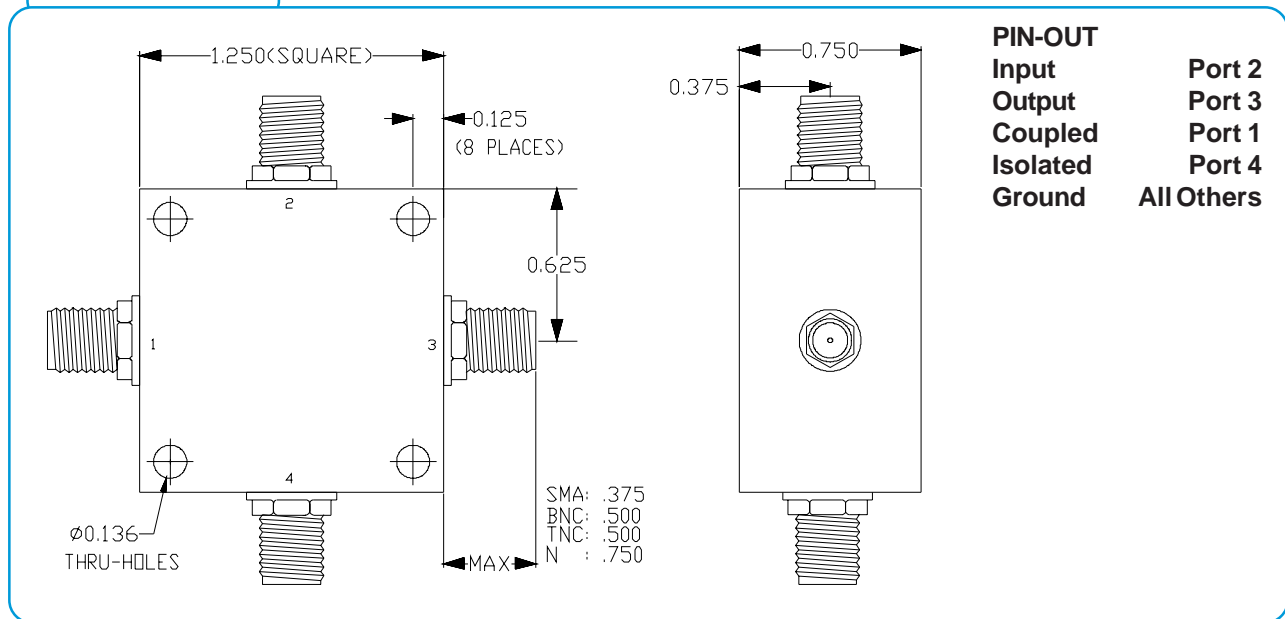
## SPECIFICATIONS

<b>Operating Frequency:</b>	1700 - 2300 MHz	<b>VSWR (All Ports):</b>	1.2:1 (Typ)/1.3:1 (Max)
<b>Insertion Loss*:</b>	0.3 dB (Max)	<b>Impedance:</b>	50 Ohms
<b>Isolation:</b>	23 dB (Typ)/18 dB (Min)	<b>Power Rating:</b>	50 Avg. Watts (CW Max)
<b>Amplitude Unbalance:</b>	±0.35 dB (Max)	<b>Operating Temp. Range:</b>	-55° to +85°C
<b>Phase Unbalance:</b>	2° (Typ)/ 3° (Max)		

\* The insertion loss is measured at the midpoint of the two output levels



## MECHANICAL OUTLINE: 113



# 90° HYBRID COUPLER MODEL DQK-1723S

OPTIMIZED BANDWIDTH

1700 - 2300 MHz

## PERFORMANCE PLOTS

