

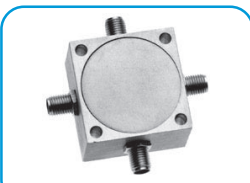
QUADRATURE HYBRID MODEL DQK-50-500S

10:1 BANDWIDTH

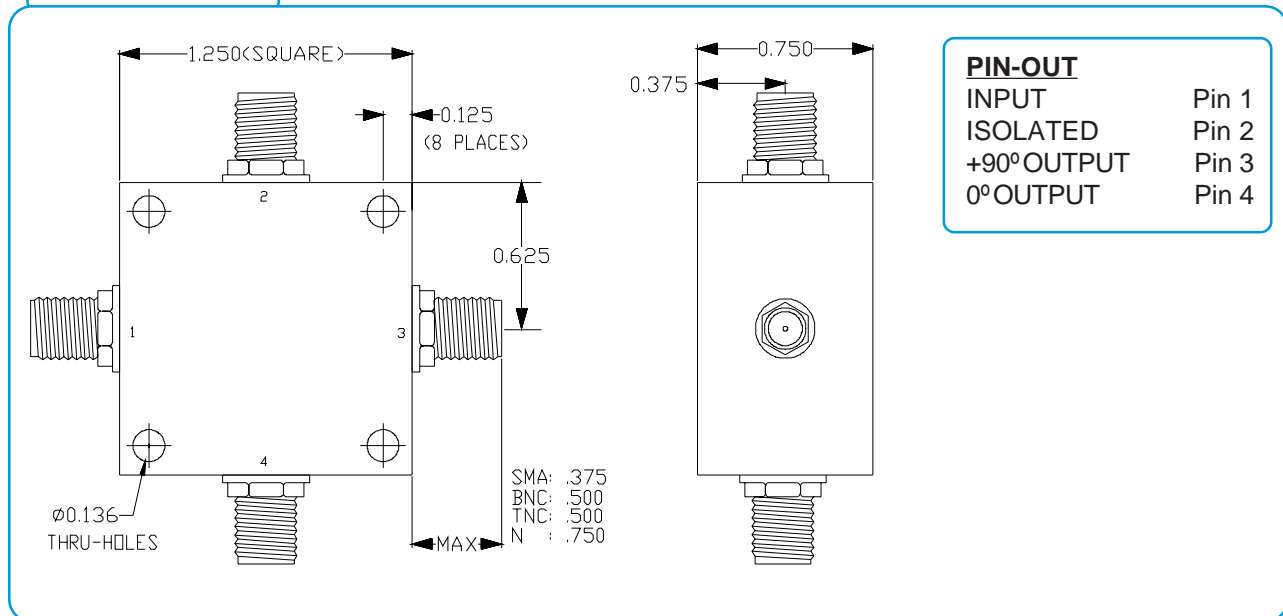
50 - 500 MHz

SPECIFICATIONS

Operating Frequency:	50 - 500 MHz	Phase Unbalance:	3.0° (Typ)/ 5.0° (Max)
Insertion Loss:	1.7 dB (Typ) / 2.2 dB (Max)	VSWR:	1.3:1 (Typ)
Isolation:	25 dB (Typ)/13 dB (Min)	Impedance:	50 Ohms
Amplitude Unbalance:	1.0 dB (Typ) / 1.5 dB (Max)	Operating Temp. Range:	-55° to +85°C



MECHANICAL OUTLINE: 113



QUADRATURE HYBRID MODEL DQK-50-500S

10:1 BANDWIDTH

50 - 500 MHz

PERFORMANCE PLOTS

