

AND671GST/GST-LED

1 Line x 16 Characters

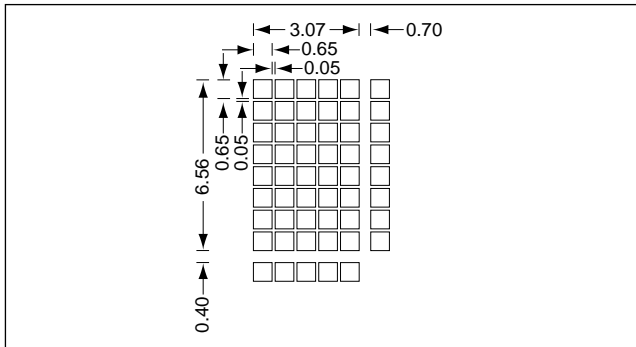
Intelligent Character Display

The AND671GST/GST-LED devices are compact, LCD modules that have an on-board LCD controller and driver circuit. These devices can display 160 characters (numerals, letters, symbols and Kana letters), as well as eight custom characters.

Features

- AND671GST: Super Twist Technology
- AND671GST-LED: STN with LED backlight
- Low voltage, +5V single power supply
- Controller on board (HD44780)
- Direct interface to 4- or 8-bit CPU
- 11 commands for control
- Wide temperature range option (WGST)

Dot Matrix Dimensions



Mechanical Characteristics

Item	Specification	Unit
Outline Dimensions	80 (W) x 36 (H) x 11 (D)	mm
Character Size	3.07 (W) x 6.56 (H)	mm
Viewing Area	64.5 (W) x 13.8 (H)	mm
Dot Size	0.55 (W) x 0.75 (H)	mm
Dot Pitch	0.63 (W) x 0.83 (H)	mm

Absolute Maximum Ratings

Item	Symbol	Rating	Unit
Supply Voltage	V_{DD}	7.0	V
Input Voltage	V_{IN}	$0 \leq V_{IN} \leq V_{DD}$	V
LED Forward Current	I_F	200	mA

Absolute Maximum Ratings (Continued)

Item	Symbol	Rating	Unit
LED Reverse Voltage	V_R	8	V
LED Power Dissipation	P_D	800	mW
Operating Temperature	T_{op}	0 to +50	°C
Storage Temperature	T_{stg}	-20 to +60	°C

Electrical Characteristics (TA = 25°C)

Item	Symbol	Min.	Typ.	Max.	Unit
Supply Voltage	V_{DD}	4.75	5.0	5.25	V
	$V_{DD}-V_O$	3.0	-	6.3	
High Level In Voltage ($V_{DD} = 5.0V$)	V_{IH}	2.2	-	-	V
Low Level In Voltage ($I_{OH} = 0.2 mA$)	V_{IL}	0	-	0.6	V
High Level Output Volt. ($-I_{OH} = 0.2 mA$)	V_{OH}	2.4	-	-	V
Low Level Output Volt. ($I_{OL} = 1.2 mA$)	V_{OL}	-	-	0.4	V
LED Forward Voltage ($I_F = 150 mA$)	V_F	3.8	4.1	4.4	V
LED Reverse Current ($V_R = 8 V$)	I_R	-	-	1.0	mA

Optical Characteristics (TA = 25°C, $\phi = 0^\circ$, $\theta = 0^\circ$)

Item	Symbol	Min.	Typ.	Max.	Unit
Viewing Angle	ϕ	-	50	-	degree
Contrast	K	-	6.0	-	-
Turn On	T_{on}	-	200	400	ms
Turn Off	T_{off}	-	250	400	ms



AND671GST/GST-LED Intelligent Character Display

Connector Pin Assignment

Pin No.	Signal	Function
1	GND	Ground
2	V _{DD}	+5 Power Supply
3	V _O	LCD Drive Voltage
4	RS	"H" Data Input "L" Command Input
5	R/W	Read/Write
6	E	Enable
7	DB0	Data Bus DB0-DB7 are for 8-bit operation DB4-DB7 are for 4-bit operation
8	DB1	
9	DB2	
10	DB3	
11	DB4	
12	DB5	
13	DB6	
14	DB7	

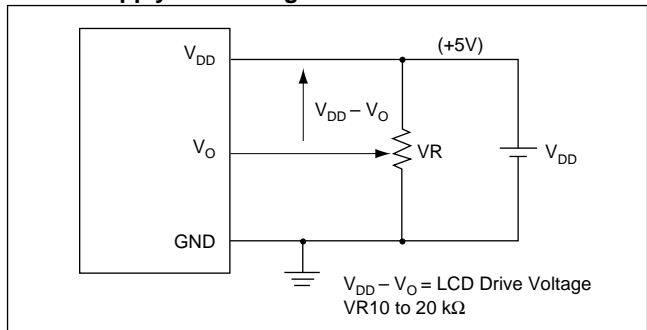
Power Supply

The LCD panel is driven by the voltage V_{DD}-V_O, so an adjustable V_O is required for contrast control and temperature compensation.

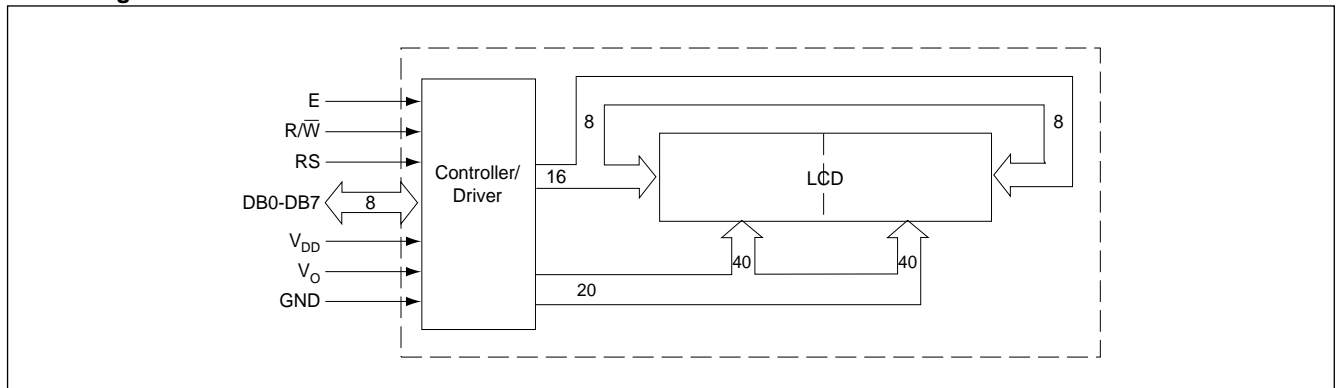
Temperature Variations

Temperature	V _{DD} -V _O
0°C	5.00
+25°C	4.75
+50°C	4..50

Power Supply Block Diagram



Block Diagram



Dimensional Outline

