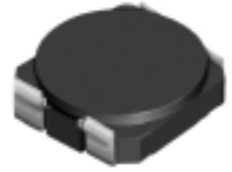


Type: CLS8D28

Product Description

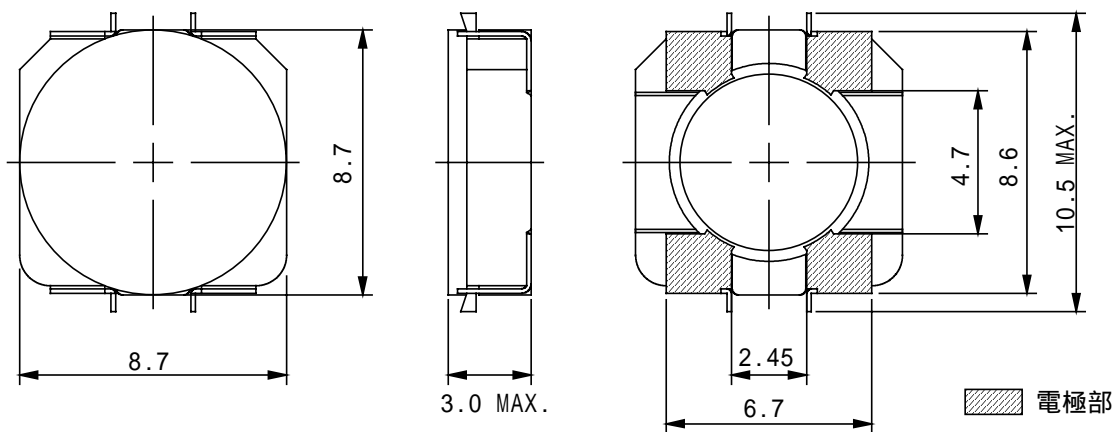
- 8.7 × 8.7mm Max.(L × W), 3.0mm Max. Height.
- 4 Terminal pins' type gives a flexible design as inductors or transformers (SEPIC,ZETA circuit).
- Custom design is available.



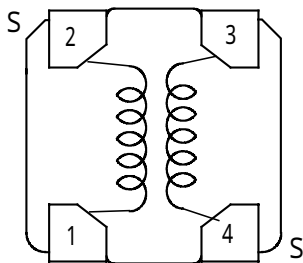
Feature

- Magnetically shielded construction.
- Max. Operating frequency 1MHz, Max. Operating power 3.0W.
- Ideally used in the power supply for DSC, Note PC, DVC and W-LED backlight.
- RoHS Compliance

Dimensions (mm)

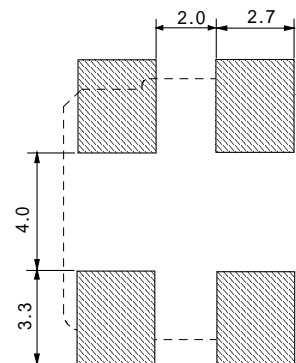


Schematics (Bottom)



“ S ” indicates winding start.

Land Pattern (mm)



Type: CLS8D28
Specification

Part No.	Stamp	Inductance [Within]	Saturation Current (A) (at 20 °C) 1				Temperature Rise current (A) 2	
			(1,4-2,3)		(2-3) (1,4 Short)		(1,4-2,3)	(2-3) (1,4 Short)
			at20	at100	at20	at100		
CLS8D28NP-1R0N	1R0	1.0μH±30%	6.7	5.4	3.2	2.8	6.0	3.0
CLS8D28NP -1R6N	1R6	1.6μH±30%	5.1	4.3	2.7	2.3	5.6	2.6
CLS8D28NP -2R2N	2R2	2.2μH±30%	4.4	3.9	2.3	1.9	5.0	2.3
CLS8D28NP -3R3N	3R3	3.3μH±30%	3.7	3.1	1.9	1.5	4.8	2.1
CLS8D28NP -4R5N	4R5	4.5μH±30%	3.3	2.9	1.5	1.3	4.2	2.0
CLS8D28NP -6R8N	6R8	6.8μH±30%	2.5	2.1	1.1	0.96	3.9	1.8
CLS8D28NP -1ØØN	100	10μH±30%	2.2	1.8	1.0	0.9	3.1	1.5
CLS8D28NP -15ØN	150	15μH±30%	1.5	1.3	0.77	0.64	2.4	1.1
CLS8D28NP -22ØN	220	22μH±30%	1.3	1.1	0.63	0.54	1.9	0.9
CLS8D28NP -33ØN	330	33μH±30%	1.2	0.95	0.53	0.44	1.5	0.8
CLS8D28NP -47ØN	470	47μH±30%	1.0	0.84	0.47	0.39	1.4	0.6
CLS8D28NP -68ØN	680	68μH±30%	0.72	0.61	0.41	0.33	1.1	0.5
CLS8D28NP -1Ø1N	101	100μH±30%	0.58	0.51	0.31	0.28	0.92	0.4
CLS8D28NP -151N	151	150μH±30%	0.47	0.40	0.24	0.22	0.76	0.32
CLS8D28NP -221N	221	220μH±30%	0.41	0.35	0.19	0.17	0.56	0.28

Description Of Part Name

CLS8D28NP -1R0N

- B Box
- C Carrier Tape

1. Saturation Current: The DC current at which the inductance decreases to 90% of it's nominal value.
2. Temperature rise current: The DC current at which the temperature rise is $t = 40$ °C. ($T_a = 20$ °C).