

P4C147

ULTRA HIGH SPEED 4K x 1

STATIC CMOS RAM

FEATURES

- Full CMOS, 6T Cell
- High Speed (Equal Access and Cycle Times)
 - 10/12/15/20/25 ns (Commercial)
 - 15/20/25/35 ns (Military)
- Low Power Operation
 - 715 mW Active -10 (Commercial)
 - 550 mW Active -25 (Commercial)
 - 110 mW Standby (TTL Input)
 - 55 mW Standby (CMOS Input)
- Single 5V ± 10% Power Supply
- Separate Input and Output Ports
- Three-State Outputs
- Fully TTL Compatible Inputs and Outputs
- Standard Pinout (JEDEC Approved)
 - 18 Pin 300 mil DIP
 - 18 Pin CERPACK
 - 18 Pin LCC (290 x 430 mils)
 - 18 Pin LCC (295 x 335 mils)

DESCRIPTION

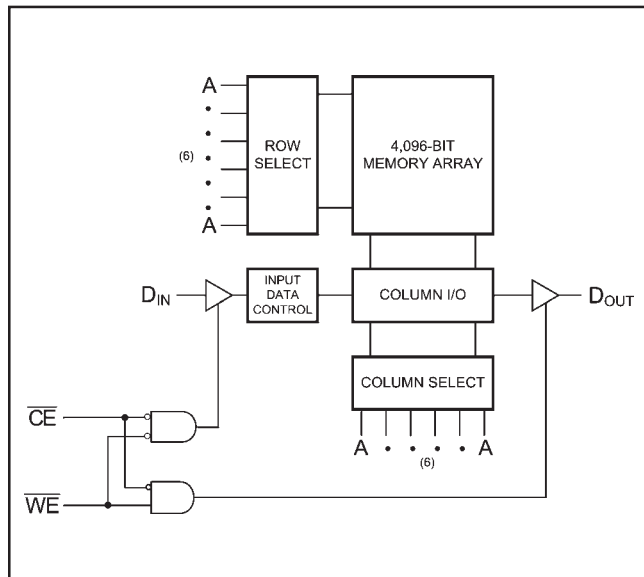
The P4C147 is a 4,096-bit ultra high speed static RAM organized as 4K x 1. The CMOS memory requires no clocks or refreshing, and have equal access and cycle times. Inputs are fully TTL-compatible. The RAM operates from a single 5V ± 10% tolerance power supply.

Access times as fast as 10 nanoseconds are available, permitting greatly enhanced system operating speeds.

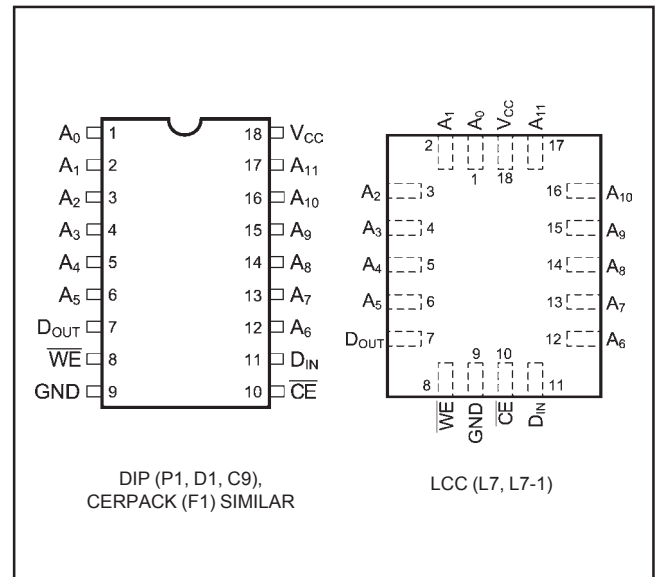
CMOS is utilized to reduce power consumption in both active and standby modes. In addition to very high performance, this device features latch-up protection and single-event-upset protection.

The P4C147 is available in 18 pin 300 mil DIP packages, an 18-pin CERPACK package, and 2 different LCC packages.

FUNCTIONAL BLOCK DIAGRAM



PIN CONFIGURATIONS



MAXIMUM RATINGS⁽¹⁾

Symbol	Parameter	Value	Unit
V_{CC}	Power Supply Pin with Respect to GND	-0.5 to +7	V
V_{TERM}	Terminal Voltage with Respect to GND (up to 7.0V)	-0.5 to $V_{CC} + 0.5$	V
T_A	Operating Temperature	-55 to +125	°C

Symbol	Parameter	Value	Unit
T_{BIAS}	Temperature Under Bias	-55 to +125	°C
T_{STG}	Storage Temperature	-65 to +150	°C
P_T	Power Dissipation	1.0	W
I_{OUT}	DC Output Current	50	mA

RECOMMENDED OPERATING CONDITIONS

Grade ⁽²⁾	Ambient Temp	Gnd	V_{CC}
Commercial	0°C to 70°C	0V	5.0V ± 10%
Military	-55°C to +125°C	0V	5.0V ± 10%

CAPACITANCES⁽⁴⁾

($V_{CC} = 5.0V$, $T_A = 25^\circ C$, $f = 1.0MHz$)

Symbol	Parameter	Conditions	Typ.	Unit
C_{IN}	Input Capacitance	$V_{IN} = 0V$	5	pF
C_{OUT}	Output Capacitance	$V_{OUT} = 0V$	7	pF

DC ELECTRICAL CHARACTERISTICS

Over recommended operating temperature and supply voltage (2)

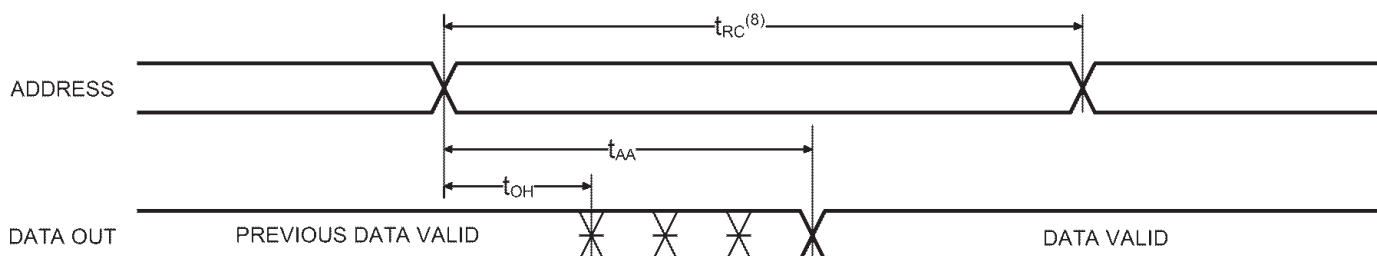
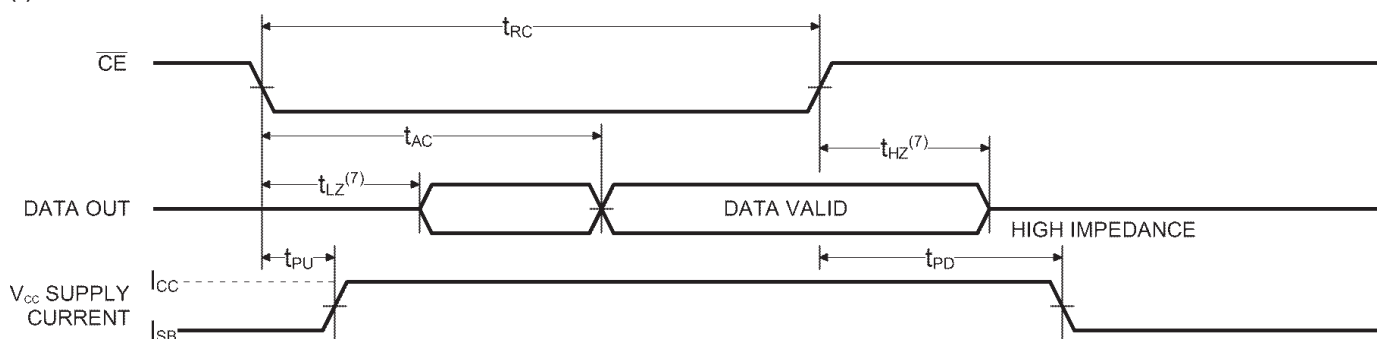
Symbol	Parameter	Test Conditions	P4C147		Unit
			Min.	Max.	
V_{OH}	Output High Voltage (TTL Load)	$I_{OH} = -4 \text{ mA}$, $V_{CC} = \text{Min.}$	2.4		V
V_{OL}	Output Low Voltage (TTL Load)	$I_{OL} = +8 \text{ mA}$, $V_{CC} = \text{Min.}$		0.4	V
V_{IH}	Input High Voltage		2.2	$V_{CC} = +0.5$	V
V_{IL}	Input Low Voltage		-0.5 ⁽³⁾	0.8	V
I_{LI}	Input Leakage Current	$V_{CC} = \text{Max.}$, $V_{IN} = \text{GND to } V_{CC}$	Mil. -10 Comm'l -5	+10 +5	µA
I_{LO}	Output Leakage Current	$V_{CC} = \text{Max.}$, $\overline{CE} = V_{IH}$, $V_{OUT} = \text{GND to } V_{CC}$	Mil. -10 Comm'l -5	+10 +5	µA
I_{SB}	Standby Power Supply Current (TTL Input Levels)	$\overline{CE} \geq V_{IH}$, $V_{CC} = \text{Max.}$, $f = \text{Max.}$, Output Open	Mil. — Comm'l —	30 23	mA
I_{SB1}	Standby Power Supply Current (CMOS Input Levels)	$\overline{CE} \geq V_{HC}$, $V_{CC} = \text{Max.}$, $f = 0$, Output Open $V_{IN} \leq 0.2V$ or $V_{IN} \geq V_{CC} - 0.2V$	Mil. — Comm'l —	15 10	mA

POWER DISSIPATION CHARACTERISTICS VS. SPEED

Symbol	Parameter	Temperature Range	-10	-12	-15	-20	-25	-35	Unit
I_{CC}	Dynamic Operating Current	Commercial Military	130 N/A	130 N/A	120 145	115 135	100 125	N/A 120	mA mA

AC CHARACTERISTICS—READ CYCLE $(V_{CC} = 5V \pm 10\%$, All Temperature Ranges)⁽²⁾

Sym.	Parameter	-10		-12		-15		-20		-25		-35		Unit
		Min	Max	Min	Max	Min	Max	Min	Max	Min	Max	Min	Max	
t_{RC}	Read Cycle Time	10		12		15		20		25		35		ns
t_{AA}	Address Access Time		10		12		15		20		25		35	ns
t_{AC}	Chip Enable Access Time		10		12		15		20		25		35	ns
t_{OH}	Output Hold from Address Change	2		2		2		2		2		2		ns
t_{LZ}	Chip Enable to Output in Low Z	2		2		2		2		2		2		ns
t_{HZ}	Chip Disable to Output in High Z		4		5		6		8		10		14	ns
t_{PU}	Chip Enable to Power Up Time	0		0		0		0		0		0		ns
t_{PD}	Chip Disable to Power Down Time		10		12		15		20		25		35	ns

TIMING WAVEFORM OF READ CYCLE NO. 1⁽⁵⁾**TIMING WAVEFORM OF READ CYCLE NO. 2**⁽⁶⁾**Notes:**

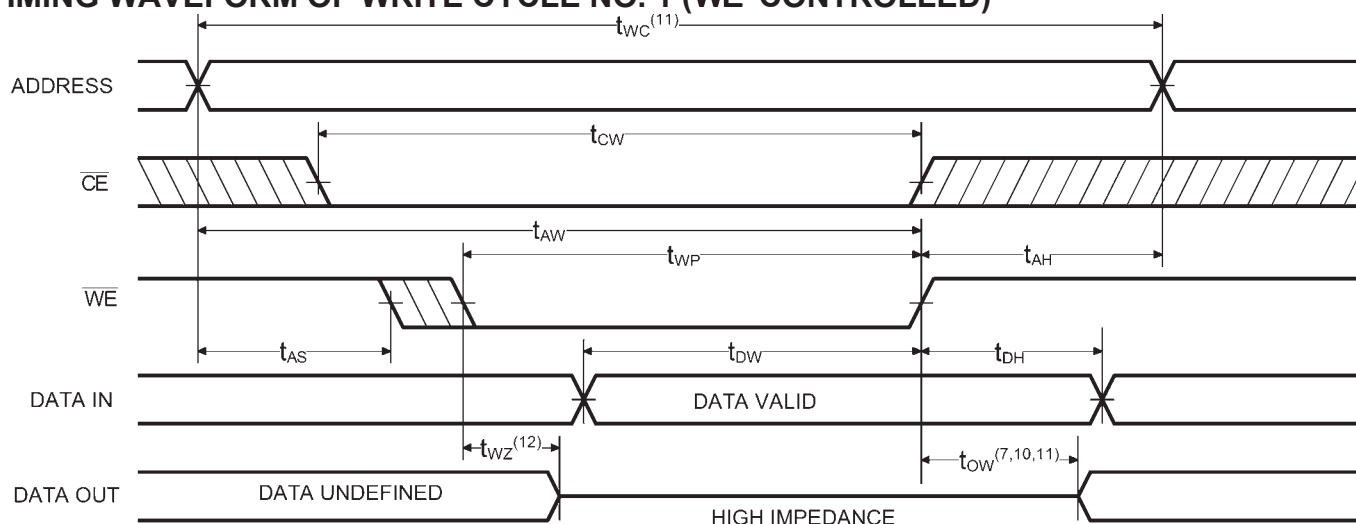
- Stresses greater than those listed under MAXIMUM RATINGS may cause permanent damage to the device. This is a stress rating only and functional operation of the device at these or any other conditions above those indicated in the operational sections of this specification is not implied. Exposure to MAXIMUM rating conditions for extended periods may affect reliability.
- Extended temperature operation guaranteed with 400 linear feet per minute of air flow.
- Transient inputs with V_{IL} and I_{IL} not more negative than $-3.0V$ and $-100mA$, respectively, are permissible for pulse widths up to 20 ns.
- This parameter is sampled and not 100% tested.
- \overline{CE} is LOW and \overline{WE} is HIGH for READ cycle.
- \overline{WE} is HIGH, and address must be valid prior to or coincident with \overline{CE} transition LOW.
- Transition is measured $\pm 200mV$ from steady state voltage prior to change with specified loading in Figure 1. This parameter is sampled and not 100% tested.
- Read Cycle Time is measured from the last valid address to the first transitioning address.

AC CHARACTERISTICS—WRITE CYCLE

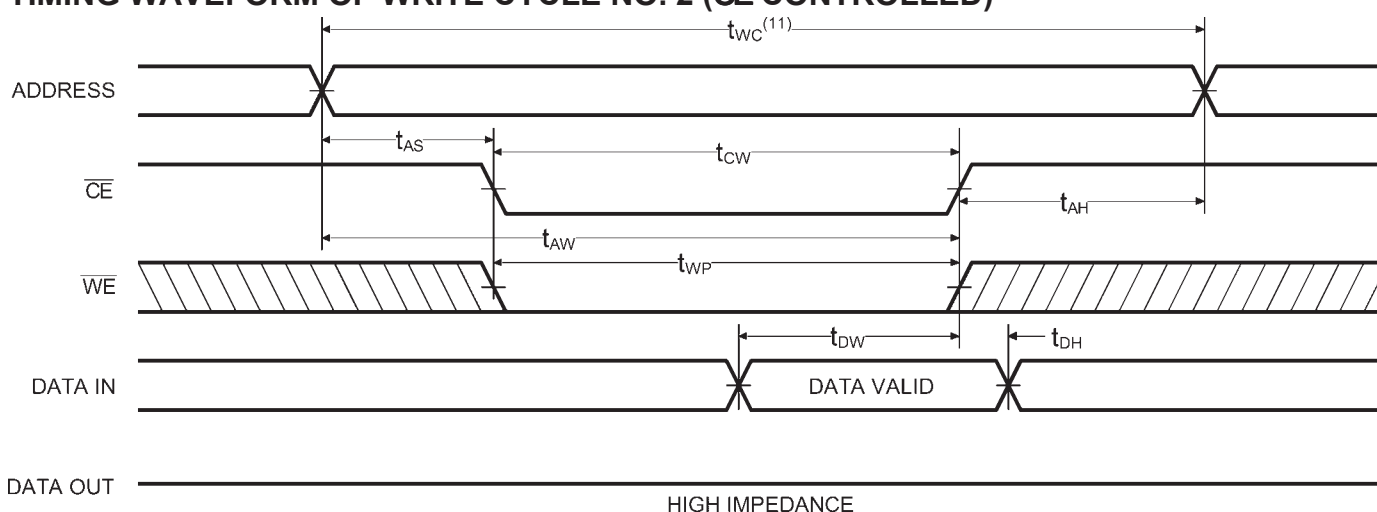
($V_{CC} = 5V \pm 10\%$, All Temperature Ranges)⁽²⁾

Sym.	Parameter	-10		-12		-15		-20		-25		-35		Unit
		Min	Max	Min	Max	Min	Max	Min	Max	Min	Max	Min	Max	
t_{WC}	Write Cycle Time	10		12		15		20		25		35		ns
t_{CW}	Chip Enable Time to End of Write	8		10		12		15		20		25		ns
t_{AW}	Address Valid to End of Write	8		10		12		15		20		25		ns
t_{AS}	Address Set-up Time	0		0		0		0		0		0		ns
t_{WP}	Write Pulse Width	8		10		12		14		15		18		ns
t_{AH}	Address Hold Time from End of Write	0		0		0		0		0		0		ns
t_{DW}	Data Valid to End of Write	5		6		7		9		12		15		ns
t_{DH}	Data Hold Time	0		0		0		0		0		0		ns
t_{WZ}	Write Enable to Output in High Z		5		6		7		9		12		15	ns
t_{OW}	Output Active from End of Write	0		0		0		0		0		0		ns

TIMING WAVEFORM OF WRITE CYCLE NO. 1 (\overline{WE} CONTROLLED)⁽⁹⁾



TIMING WAVEFORM OF WRITE CYCLE NO. 2 (\overline{CE} CONTROLLED)⁽⁹⁾



Notes:

- 9. \overline{CE} and \overline{WE} must be LOW for WRITE cycle.
- 10. If \overline{CE} goes HIGH simultaneously with \overline{WE} high, the output remains in a high impedance state.
- 11. Write Cycle Time is measured from the last valid address to the first transition address.

AC TEST CONDITIONS

Input Pulse Levels	GND to 3.0V
Input Rise and Fall Times	3ns
Input Timing Reference Level	1.5V
Output Timing Reference Level	1.5V
Output Load	See Figures 1 and 2

TRUTH TABLE

Mode	\overline{CE}	\overline{WE}	Output	Power
Standby	H	X	High Z	Standby
Read	L	H	D _{OUT}	Active
Write	L	L	High Z	Active

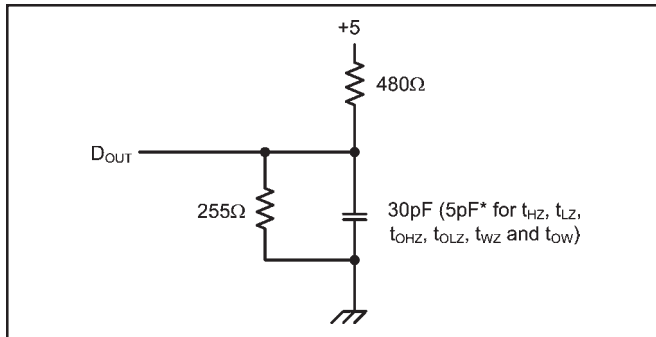


Figure 1. Output Load

* including scope and test fixture.

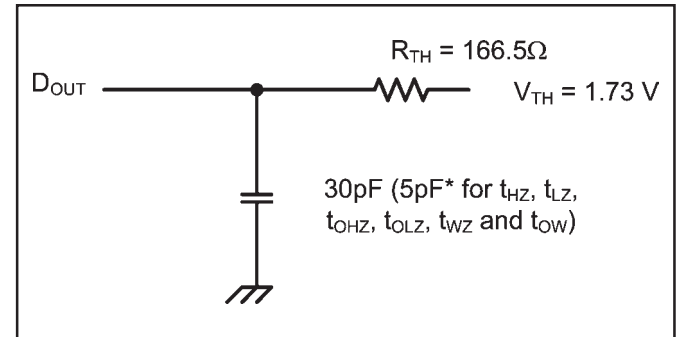


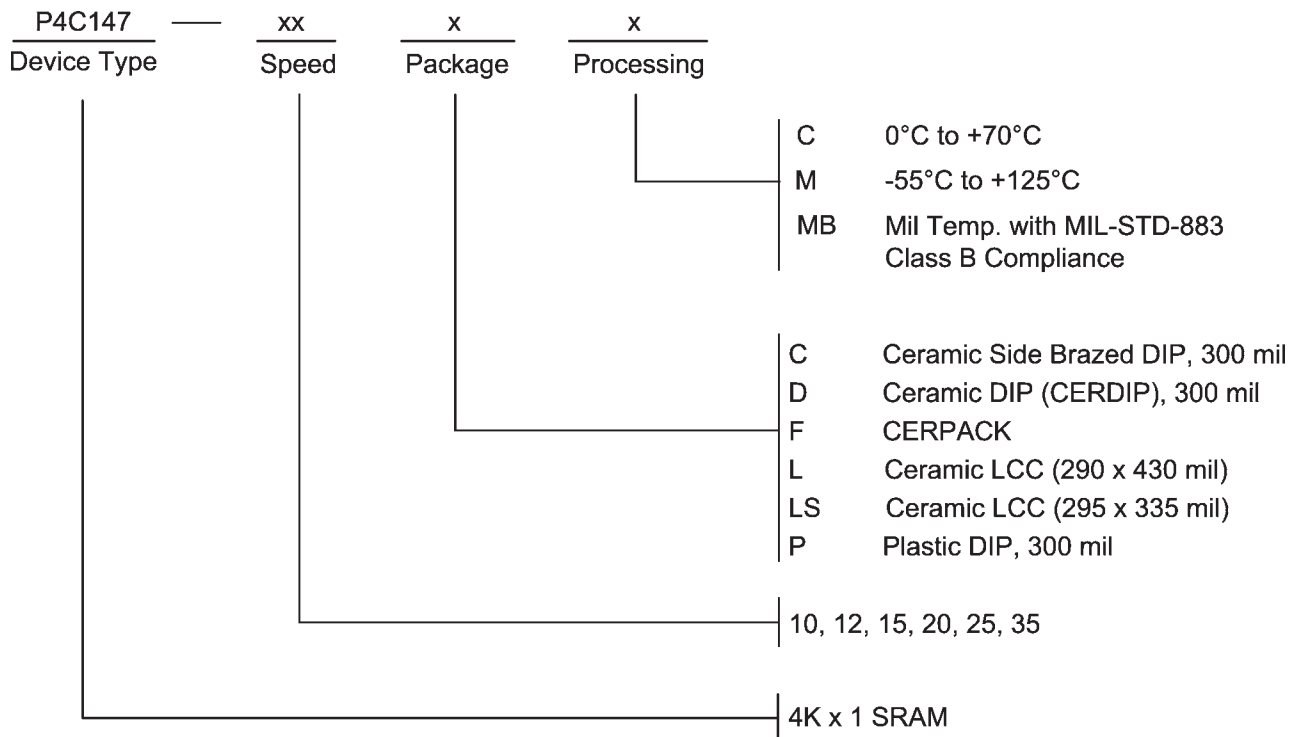
Figure 2. Thevenin Equivalent

Note:

Due to the ultra-high speed of the P4C147, care must be taken when testing this device; an inadequate setup can cause a normal functioning part to be rejected as faulty. Long high-inductance leads that cause supply bounce must be avoided by bringing the V_{CC} and ground planes directly up to the contactor fingers. A 0.01 μF high frequency capacitor

is also required between V_{CC} and ground. To avoid signal reflections, proper termination must be used; for example, a 50Ω test environment should be terminated into a 50Ω load with 1.73V (Thevenin Voltage) at the comparator input, and a 116Ω resistor must be used in series with D_{OUT} to match 166Ω (Thevenin Resistance).

ORDERING INFORMATION



SELECTION GUIDE

The P4C147 is available in the following temperature, speed and package options.

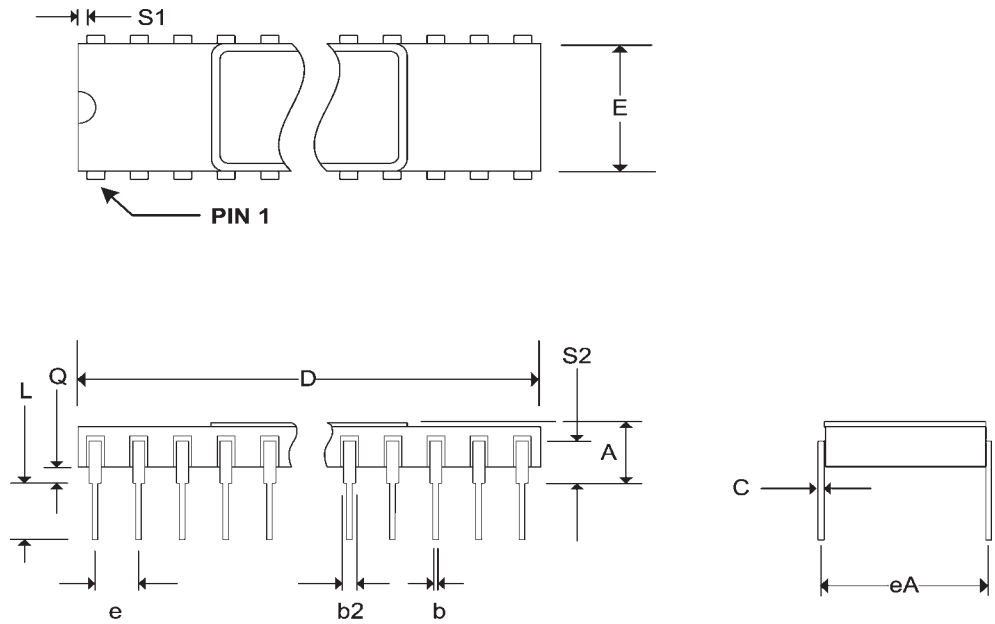
Temperature Range	Package	Speed (ns)					
		10	12	15	20	25	35
Commercial Temperature	Plastic DIP	-10PC	-12PC	-15PC	-20PC	-25PC	N/A
Military Temperature	CERDIP	N/A	N/A	-15DM	-20DM	-25DM	-35DM
	Side Brazed DIP	N/A	N/A	-15CM	-20CM	-25CM	-35CM
	LCC (290 x 430 mil)	N/A	N/A	-15LM	-20LM	-25LM	-35LM
	LCC (295 x 335 mil)	N/A	N/A	-15LSM	-20LSM	-25LSM	-35LSM
	CERPACK	N/A	N/A	-15FM	-20FM	-25FM	-35FM
Military Processed*	CERDIP	N/A	N/A	-15DMB	-20DMB	-25DMB	-35DMB
	Side Brazed DIP	N/A	N/A	-15CMB	-20CMB	-25CMB	-35CMB
	LCC (290 x 430 mil)	N/A	N/A	-15LMB	-20LMB	-25LMB	-35LMB
	LCC (295 x 335 mil)	N/A	N/A	-15LSMB	-20LSMB	-25LSMB	-35LSMB
	CERPACK	N/A	N/A	-15FMB	-20FMB	-25FMB	-35FMB

* Military temperature range with MIL-STD-883, Class B processing.

N/A = Not Available

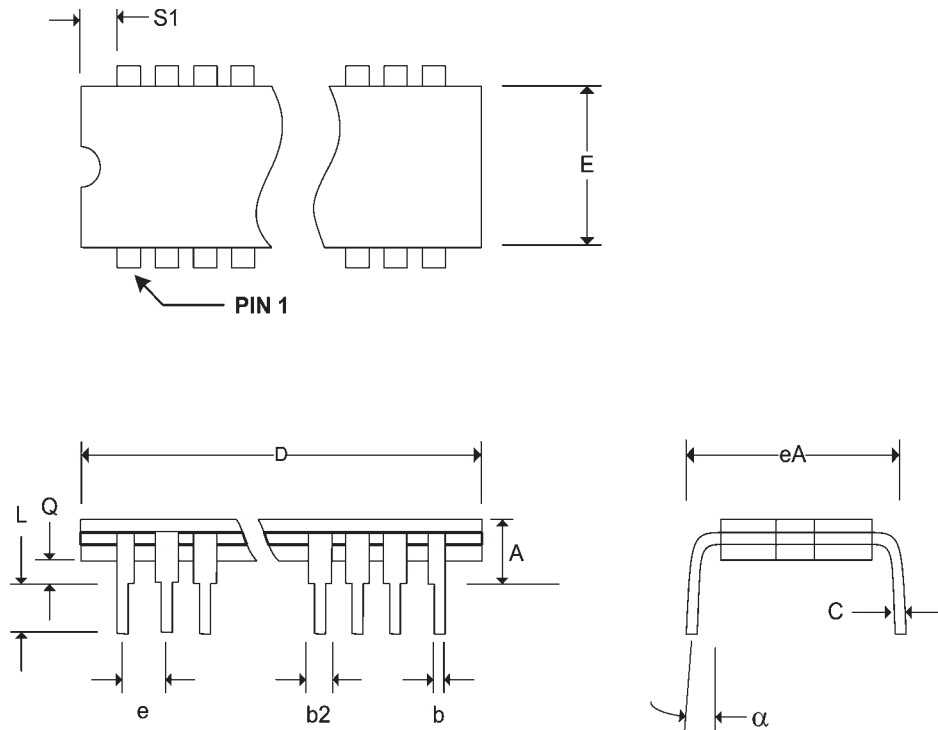
Pkg #	C9	
# Pins	18 (300 Mil)	
Symbol	Min	Max
A	-	0.200
b	0.014	0.026
b2	0.030	0.065
C	0.008	0.018
D	-	0.960
E	0.220	0.320
eA	0.300 BSC	
e	0.100 BSC	
L	0.125	0.200
Q	0.015	0.070
S1	0.005	-
S2	0.005	-

SIDE BRAZED DUAL IN-LINE PACKAGE



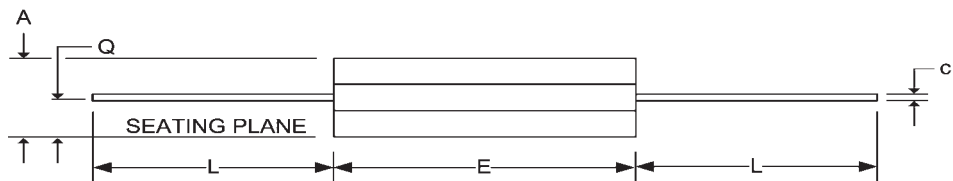
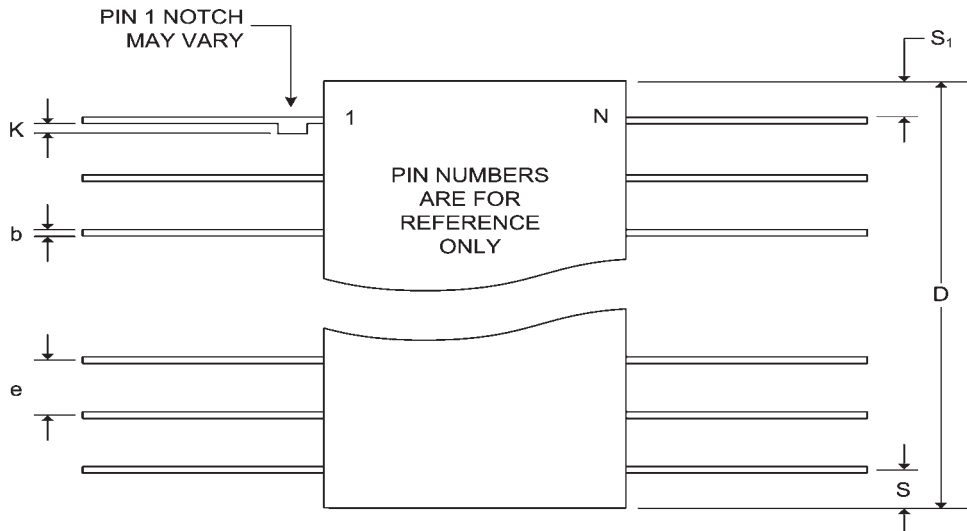
Pkg #	D1	
# Pins	18 (300 Mil)	
Symbol	Min	Max
A	-	0.200
b	0.014	0.026
b2	0.045	0.065
C	0.008	0.018
D	-	0.960
E	0.220	0.310
eA	0.300 BSC	
e	0.100 BSC	
L	0.125	0.200
Q	0.015	0.070
S1	0.005	-
α	0°	15°

CERDIP DUAL IN-LINE PACKAGE



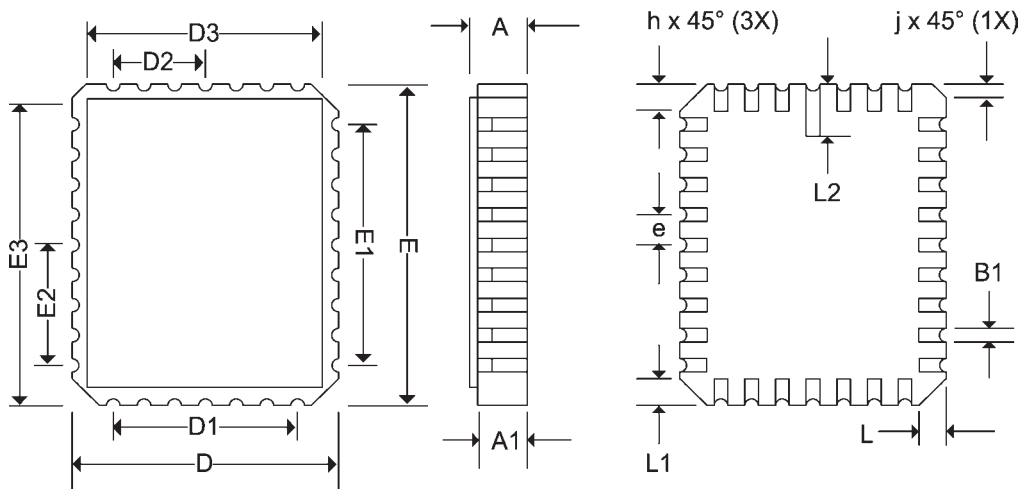
Pkg #	F1	
# Pins	18	
Symbol	Min	Max
A	0.045	0.092
b	0.015	0.022
c	0.004	0.009
D	-	0.540
E	0.245	0.370
e	0.050 BSC	
k	0.005	0.018
L	0.250	0.370
Q	0.026	0.045
S	-	0.085
S1	0.005	-

CERPACK CERAMIC FLAT PACKAGES



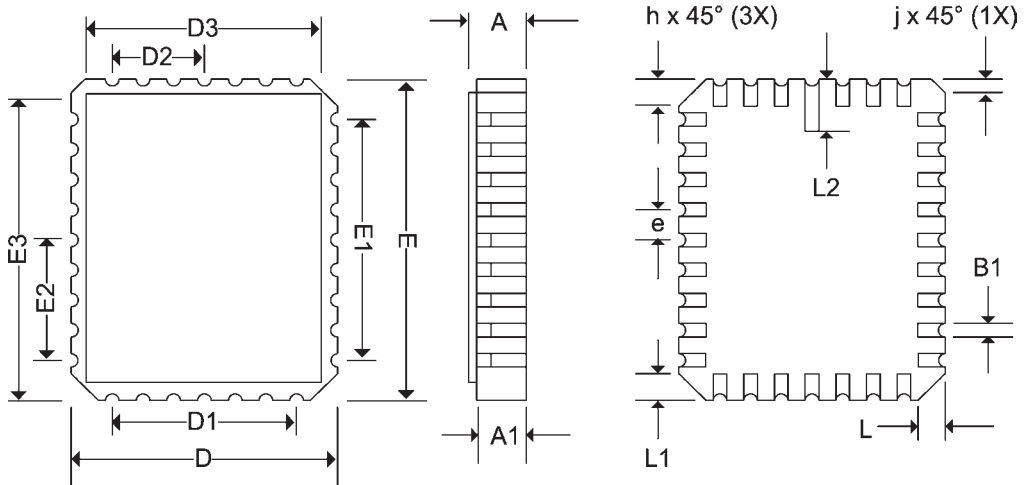
Pkg #	L7	
# Pins	18	
Symbol	Min	Max
A	0.060	0.075
A1	0.050	0.065
B1	0.022	0.028
D	0.280	0.305
D1	.150 BSC	
D2	.075 BSC	
D3	-	0.305
E	0.417	0.440
E1	0.200 BSC	
E2	0.100 BSC	
E3	-	0.440
e	0.050 BSC	
h	0.040 REF	
j	0.020 REF	
L	0.045	0.055
L1	0.075	0.090
L2	0.075	0.148
ND	4	
NE	5	

RECTANGULAR LEADLESS CHIP CARRIER



Pkg #	L7-1	
# Pins	18	
Symbol	Min	Max
A	0.060	0.075
A1	0.050	0.065
B1	0.022	0.028
D	0.280	0.305
D1	.150 BSC	
D2	.075 BSC	
D3	-	0.305
E	0.345	0.365
E1	0.200 BSC	
E2	0.100 BSC	
E3	-	0.365
e	0.050 BSC	
h	0.040 REF	
j	0.020 REF	
L	0.045	0.055
L1	0.045	0.055
L2	0.075	0.125
ND	4	
NE	5	

RECTANGULAR LEADLESS CHIP CARRIER



Pkg #	P1	
# Pins	18	
Symbol	Min	Max
A	-	0.210
A1	0.015	-
b	0.014	0.022
b2	0.045	0.070
C	0.008	0.014
D	0.880	0.920
E1	0.240	0.280
E	0.300	0.325
e	0.100 BSC	
eB	-	0.430
L	0.115	0.150
α	0°	15°

PLASTIC DUAL IN-LINE PACKAGE

