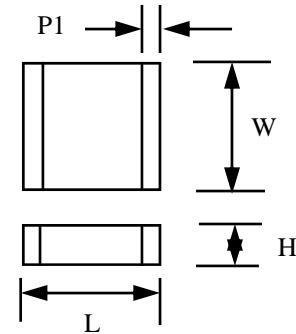
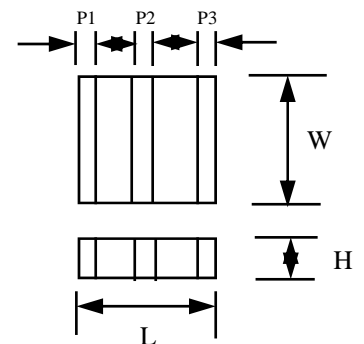


Part Number	Frequency Range (MHz)	Frequency Tolerance (%)	Resonant Resistance (ohms)	Temperature Characteristics of Oscillation Frequency (%)	Aging Rate (%)
ZTACS (MT)	8.00-13.00	±0.5	25	±0.3	±0.5
ZTACS (MX)	13.01-50.00	±0.5	40	±0.3	±0.5
ZTACV (MX)	8.00-12.00	±0.5	25	±0.3	±0.5
ZTACV (MX)	13.01-50.00	±0.5	40	±0.3	±0.5
Type	Dimensions (mm)	L	W	H	P1
ZTACS (MT/MX)		4.7±0.2	4.1±0.2	1.6±0.3	1.0±0.4
ZTACV (MX)		3.7±0.2	3.01±0.2	1.2±0.3	0.9±0.3



ZTACS Series	Frequency Range	Capacitance	Notes
	8.00-20.00MHz	30pF ±0.1pF	Load Capacitance (pF) is for circuit testing only.
	20.01-25.99MHz	15pF ±0.1pF	
	26.00-50.00MHz	5pF ±0.1pF	

Part Number	Frequency Range (MHz)	Frequency Tolerance (%)	Resonant Resistance (ohms)	Temperature Characteristics of Oscillation Frequency (%)	Aging Rate (%)		
ZTTCS (MT)	8.00-13.00	±0.5	25	±0.3	±0.5		
ZTTCS (MX)	13.01-50.00	±0.5	40	±0.3	±0.5		
ZTTCV (MT)	8.00-12.00	±0.5	25	±0.3	±0.5		
ZTTCV (MX)	13.01-50.00	±0.5	40	±0.3	±0.5		
Type	Dimensions (mm)	L	W	H	P1	P2	P3
ZTTCS (MT/MX)		4.7±0.2	4.1±0.2	1.6±0.3	1.0±0.4	0.8±0.4	1.85±0.2
ZTTCV (MX)		3.7±0.2	3.01±0.2	1.2±0.3	0.9±0.3	0.7±0.3	1.58±0.2



ZTTCS Series	Frequency Range	Capacitance	Notes
	8.00-20.00MHz	30pF ±0.1pF	Load Capacitance (pF) is for built in capacitors only.
	20.01-25.99MHz	15pF ±0.1pF	
	26.00-50.00MHz	5pF ±0.1pF	

ZTACV Series	Frequency Range	Capacitance	Notes
	20.01-25.99MHz	15pF ±0.1pF	Load Capacitance (pF) is for built in capacitors only.
	26.00-50.00MHz	5pF ±0.1pF	