

3. General use FC, FA, FB

Japan
China



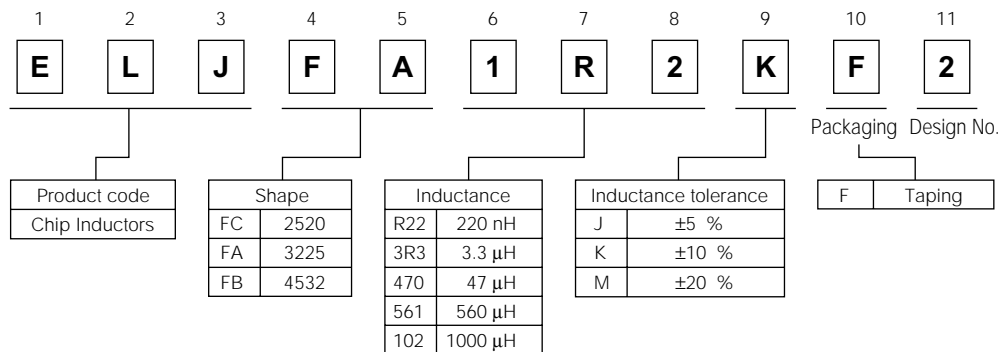
■ Features

General use wire wound and resin molded chip inductor.
 Correspond to Re-flowsoldering and flow soldering.
 Wide line-up from 2520 size to 4532 size.
 Good for mounting.

■ Recommended Applications

AV equipment, Wireless communication equipment and various general electronic equipment.

■ Explanation of Part Numbers



Storage condition

Package : Normal temperature (−5 to 35 °C), normal humidity (85 %RH Max.), shall not be exposed to direct sunlight and harmful gas and care should be taken so as not to cause dew.

Product on PWB: Temperature −20 to +85 °C

Storage period

In generally, even if storage condition is good, solderability will be down cause of time progress.

Please use product within 6 months after received.

(In case of over 6 months storage period, use the product after confirmation of no abnormality of appearance and solderability.)

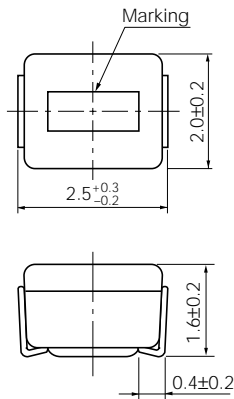
Packaging Refer 28 ro 29 page.

Soldering condition Refer 30 page.

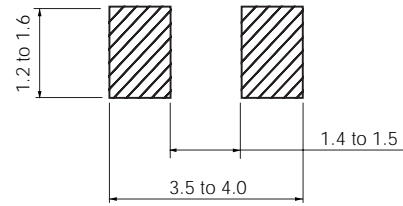
Caution for use Refer 31 page.

FC Type 2520 (1008)

● Dimensions in mm (not to scale)



● Recommended Land Pattern in mm (not to scale)



■ Standard Packing Quantity

● 2000 pcs./Reel

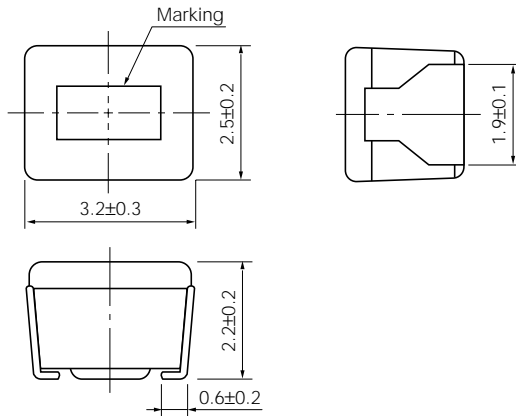
Standard Parts

| Part No. | Inductance | | | Q | | SRF *1 (MHz) min. | R _{DC} *2 (Ω) max. | DC Current (mA) max. |
|------------|------------|------------------------------|------------------|-------|------------------|----------------------|--------------------------------|-------------------------|
| | (μH) | Tolerance (%) | Test Freq. (MHz) | min. | Test Freq. (MHz) | | | |
| ELJFCR22□F | 0.22 | M : ±20 % or K : ±10 % | 25.2 | 25 | 25.2 | 230 | 0.70 | 190 |
| ELJFCR27□F | 0.27 | | | | | 210 | 0.75 | 180 |
| ELJFCR33□F | 0.33 | | | | | 190 | 0.85 | 170 |
| ELJFCR39□F | 0.39 | | | | | 175 | 0.95 | 160 |
| ELJFCR47□F | 0.47 | | | | | 160 | 1.00 | 155 |
| ELJFCR56□F | 0.56 | | | | | 155 | 1.10 | 150 |
| ELJFCR68□F | 0.68 | | | | | 135 | 1.25 | 140 |
| ELJFCR82□F | 0.82 | | | | | 125 | 1.40 | 130 |
| ELJFC1R0□F | 1.0 | K : ±10 % or J : ±5 % | 7.96 | 25 | 7.96 | 115 | 0.65 | 195 |
| ELJFC1R2□F | 1.2 | | | | | 100 | 0.75 | 180 |
| ELJFC1R5□F | 1.5 | | | | | 90 | 0.85 | 170 |
| ELJFC1R8□F | 1.8 | | | | | 85 | 0.95 | 160 |
| ELJFC2R2□F | 2.2 | | | | | 80 | 1.05 | 155 |
| ELJFC2R7□F | 2.7 | | | | | 75 | 1.20 | 145 |
| ELJFC3R3□F | 3.3 | | | | | 65 | 1.30 | 135 |
| ELJFC3R9□F | 3.9 | | | | | 60 | 1.40 | 130 |
| ELJFC4R7□F | 4.7 | | | | | 55 | 1.55 | 125 |
| ELJFC5R6□F | 5.6 | | | | | 50 | 1.75 | 120 |
| ELJFC6R8□F | 6.8 | | | | | 45 | 1.95 | 115 |
| ELJFC8R2□F | 8.2 | | | | | 40 | 2.20 | 105 |
| ELJFC100□F | 10 | | | | | 32 | 3.70 | 80 |
| ELJFC120□F | 12 | | | | | 30 | 4.10 | 75 |
| ELJFC150□F | 15 | | | | | 28 | 5.00 | 70 |
| ELJFC180□F | 18 | | | | | 25 | 5.40 | 65 |
| ELJFC220□F | 22 | 22 | 6.00 | 60 | | | | |
| ELJFC270□F | 27 | 21 | 6.30 | 115 | | | | |
| ELJFC330□F | 33 | 20 | 7.10 | 110 | | | | |
| ELJFC390□F | 39 | 18 | 9.50 | 90 | | | | |
| ELJFC470□F | 47 | 17 | 11.0 | 80 | | | | |
| ELJFC560□F | 56 | 16 | 12.1 | 75 | | | | |
| ELJFC680□F | 68 | 15 | 16.6 | 70 | | | | |
| ELJFC820□F | 82 | 13 | 19.0 | 65 | | | | |
| ELJFC101□F | 100 | 0.796 | 15 | 0.796 | 12 | 21.0 | 60 | |

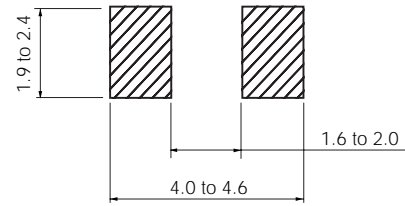
□ : Symbol of Tolerance *1 : Self Resonant Frequency *2 : DC Resistance

FA Type 3225 (1210)

● Dimensions in mm (not to scale)



● Recommended Land Pattern in mm (not to scale)



■ Standard Packing Quantity

● 2000 pcs./Reel

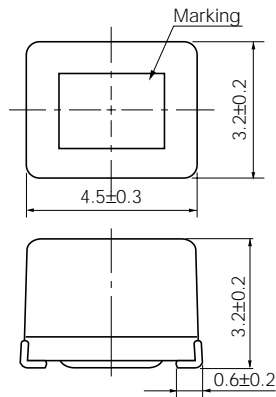
Standard Parts

| Part No. | Inductance | | | Q | | SRF *1 (MHz) min. | R _{DC} *2 (Ω) max. | DC Current (mA) max. |
|-------------|------------|------------------------------|---------------------|-------|---------------------|----------------------|--------------------------------|-------------------------|
| | (μH) | Tolerance (%) | Test Freq. (MHz) | min. | Test Freq. (MHz) | | | |
| ELJFAR22□F2 | 0.22 | M : ±20 % or K : ±10 % | 25.2 | 25 | 25.2 | 230 | 0.29 | 360 |
| ELJFAR27□F2 | 0.27 | | | | | 210 | 0.32 | 345 |
| ELJFAR33□F2 | 0.33 | | | | | 190 | 0.35 | 330 |
| ELJFAR39□F2 | 0.39 | | | | | 175 | 0.39 | 305 |
| ELJFAR47□F2 | 0.47 | | | | | 160 | 0.44 | 290 |
| ELJFAR56□F2 | 0.56 | | | | | 150 | 0.49 | 275 |
| ELJFAR68□F2 | 0.68 | | | | | 135 | 0.55 | 260 |
| ELJFAR82□F2 | 0.82 | | | | | 125 | 0.61 | 245 |
| ELJFA1R0□F2 | 1.0 | K : ±10 % or J : ±5 % | 7.96 | 30 | 7.96 | 115 | 0.69 | 230 |
| ELJFA1R2□F2 | 1.2 | | | | | 100 | 0.75 | 215 |
| ELJFA1R5□F | 1.5 | | | | | 90 | 0.75 | 210 |
| ELJFA1R8□F | 1.8 | | | | | 85 | 0.82 | 200 |
| ELJFA2R2□F | 2.2 | | | | | 80 | 0.95 | 190 |
| ELJFA2R7□F | 2.7 | | | | | 75 | 1.1 | 180 |
| ELJFA3R3□F | 3.3 | | | | | 65 | 1.2 | 180 |
| ELJFA3R9□F | 3.9 | | | | | 60 | 1.3 | 175 |
| ELJFA4R7□F | 4.7 | | | | | 55 | 1.5 | 165 |
| ELJFA5R6□F | 5.6 | | | | | 50 | 1.6 | 160 |
| ELJFA6R8□F | 6.8 | | | | | 45 | 1.8 | 150 |
| ELJFA8R2□F | 8.2 | | | | | 40 | 2.0 | 140 |
| ELJFA100□F | 10 | | | | | 36 | 2.1 | 140 |
| ELJFA120□F | 12 | | | | | 33 | 2.5 | 125 |
| ELJFA150□F | 15 | | | | | 30 | 2.8 | 120 |
| ELJFA180□F | 18 | | | | | 27 | 3.3 | 110 |
| ELJFA220□F | 22 | 25 | 3.7 | 105 | | | | |
| ELJFA270□F | 27 | 22 | 5.0 | 90 | | | | |
| ELJFA330□F | 33 | 20 | 5.6 | 85 | | | | |
| ELJFA390□F | 39 | 20 | 6.4 | 80 | | | | |
| ELJFA470□F | 47 | 15 | 7.0 | 75 | | | | |
| ELJFA560□F | 56 | 15 | 8.0 | 70 | | | | |
| ELJFA680□F | 68 | 15 | 9.0 | 65 | | | | |
| ELJFA820□F | 82 | 10 | 10.0 | 60 | | | | |
| ELJFA101□F | 100 | 10 | 10.0 | 60 | | | | |
| ELJFA121□F | 120 | 10 | 11.0 | 55 | | | | |
| ELJFA151□F | 150 | 0.796 | 20 | 0.796 | 8 | 15.0 | 50 | |
| ELJFA181□F | 180 | | | | 7 | 17.0 | 50 | |
| ELJFA221□F | 220 | | | | 7 | 21.0 | 45 | |

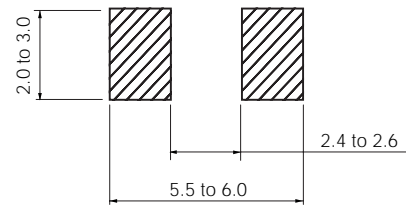
□ : Symbol of Tolerance *1 : Self Resonant Frequency *2 : DC Resistance

■ FB Type 4532 (1812)

● Dimensions in mm (not to scale)



● Recommended Land Pattern in mm (not to scale)



■ Standard Packing Quantity

● 500 pcs./Reel

■ Standard Parts

| Part No. | Inductance | | | Q | | SRF *1 (MHz) min. | R _{DC} *2 (Ω) max. | DC Current (mA) max. |
|------------|------------|------------------------------|---------------------|------|---------------------|----------------------|--------------------------------|-------------------------|
| | (μH) | Tolerance (%) | Test Freq. (MHz) | min. | Test Freq. (MHz) | | | |
| ELJFBR22□F | 0.22 | M : ±20 % | | 30 | 25.2 | 230 | 0.30 | 700 |
| ELJFBR27□F | 0.27 | | | | | 200 | 0.32 | 650 |
| ELJFBR33□F | 0.33 | | | | | 180 | 0.35 | 630 |
| ELJFBR39□F | 0.39 | | | | | 155 | 0.37 | 620 |
| ELJFBR47□F | 0.47 | | | | | 135 | 0.40 | 580 |
| ELJFBR56□F | 0.56 | | | | | 120 | 0.42 | 560 |
| ELJFBR68□F | 0.68 | | | | | 105 | 0.48 | 530 |
| ELJFBR82□F | 0.82 | | | | | 90 | 0.50 | 500 |
| ELJFB1R0□F | 1.0 | M:±20 % or K : ±10 % | 1.0 | 50 | 7.96 | 80 | 0.52 | 470 |
| ELJFB1R2□F | 1.2 | | | | | 70 | 0.55 | 460 |
| ELJFB1R5□F | 1.5 | | | | | 60 | 0.61 | 430 |
| ELJFB1R8□F | 1.8 | | | | | 50 | 0.61 | 410 |
| ELJFB2R2□F | 2.2 | | | | | 45 | 0.61 | 410 |
| ELJFB2R7□F | 2.7 | | | | | 43 | 0.61 | 400 |
| ELJFB3R3□F | 3.3 | | | | | 39 | 0.66 | 380 |
| ELJFB3R9□F | 3.9 | | | | | 36 | 0.74 | 360 |
| ELJFB4R7□F | 4.7 | | | | | 33 | 0.81 | 350 |
| ELJFB5R6□F | 5.6 | | | | | 30 | 0.88 | 330 |
| ELJFB6R8□F | 6.8 | K : ±10 % or J : ± 5 % | 0.1 | 40 | 5 | 26 | 1.0 | 310 |
| ELJFB8R2□F | 8.2 | | | | | 24 | 1.6 | 250 |
| ELJFB100□F | 10 | | | | | 22 | 1.8 | 235 |
| ELJFB120□F | 12 | | | | | 20 | 1.9 | 225 |
| ELJFB150□F | 15 | | | | | 18 | 2.1 | 215 |
| ELJFB180□F | 18 | | | | | 16 | 2.3 | 205 |
| ELJFB220□F | 22 | | | | | 15 | 2.6 | 195 |
| ELJFB270□F | 27 | | | | | 13 | 2.9 | 185 |
| ELJFB330□F | 33 | | | | | 12 | 3.1 | 175 |
| ELJFB390□F | 39 | | | | | 10 | 3.6 | 165 |
| ELJFB470□F | 47 | K : ±10 % or J : ± 5 % | 0.1 | 30 | 2.52 | 9.7 | 4.2 | 130 |
| ELJFB560□F | 56 | | | | | 9.0 | 4.7 | 125 |
| ELJFB680□F | 68 | | | | | 8.2 | 5.3 | 115 |
| ELJFB820□F | 82 | | | | | 7.5 | 5.9 | 110 |
| ELJFB101□F | 100 | | | | | 6.7 | 8.8 | 105 |
| ELJFB121□F | 120 | | | | | 6.1 | 10 | 100 |
| ELJFB151□F | 150 | | | | | 5.5 | 11 | 95 |
| ELJFB181□F | 180 | | | | | 5.1 | 13 | 85 |
| ELJFB221□F | 220 | | | | | 4.5 | 13 | 85 |
| ELJFB271□F | 270 | | | | | 4.1 | 14 | 80 |
| ELJFB331□F | 330 | 0.796 | 0.796 | 3.7 | 16 | 75 | | |
| ELJFB391□F | 390 | | | 3.3 | 19 | 70 | | |
| ELJFB471□F | 470 | | | 3.3 | 31 | 55 | | |
| ELJFB561□F | 560 | | | 2.7 | 35 | 50 | | |
| ELJFB681□F | 680 | | | 2.5 | 39 | 50 | | |
| ELJFB821□F | 820 | | | 2.4 | 45 | 45 | | |
| ELJFB102□F | 1000 | 2.1 | 53 | 40 | | | | |

□ : Symbol of Tolerance *1 : Self Resonant Frequency *2 : DC Resistance

Design and specifications are each subject to change without notice. Ask factory for the current technical specifications before purchase and/or use. Should a safety concern arise regarding this product, please be sure to contact us immediately.