

# 1-Watt SMD Blue LED Lamp (7 mm)

## OVSPBCCR8

- High luminous flux output for illumination
- Exposed pad design for excellent heat transfer
- Designed for high current operation
- Reflow soldering applicable

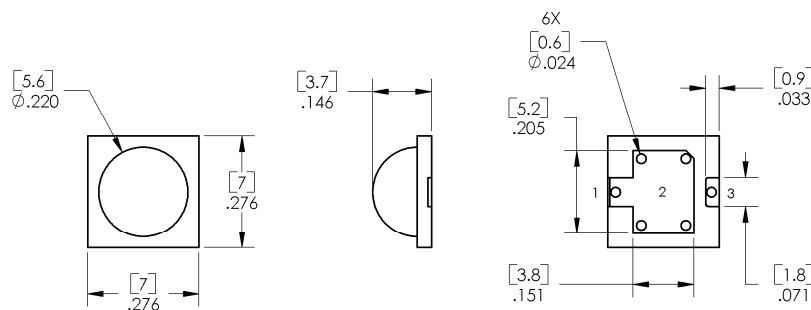


The **OVSPBCCR8** is designed to handle high current and heat and emits sufficient light for a variety of lighting and illumination applications. Small size and high power allow for compact and cost-effective lighting solutions.

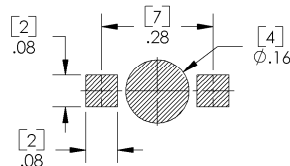
## Applications

- Automotive (exterior and interior lighting)
- Backlighting LCD displays (televisions and computer monitors)
- Entertainment (studios, theaters, nightclubs, restaurants)
- Accent lighting (wall wash, landscape, spotlight)
- Bicycle and pedestrian safety lights

Part Number	Material	Emitted Color	Flux Typ. lm	Lens Color
OVSPBCCR8	InGaN	Blue	11	Water Clear



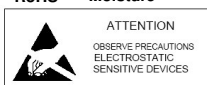
SOLDERING PATTERN



1 ANODE 2 HEAT SINK 3 CATHODE

DIMENSIONS ARE IN INCHES AND [MILLIMETERS].

HEAT SINK IS TIED ELECTRICALLY AND MECHANICALLY TO ANODE.



**DO NOT LOOK DIRECTLY  
AT LED WITH UNSHIELDED  
EYES OR DAMAGE TO  
RETINA MAY OCCUR.**

OPTEK reserves the right to make changes at any time in order to improve design and to supply the best product possible.

# 1-Watt SMD Blue LED Lamp (7 mm)

## OVSPBCCR8



### Absolute Maximum Ratings

$T_A = 25^\circ\text{C}$  (on metal core PCB<sup>1</sup>) unless otherwise noted

Storage Temperature Range	-40 ~ +85 °C
Operating Temperature Range	-40 ~ +85 °C
Reverse Voltage	5 V
Continuous Forward Current	300 mA
Peak Forward Current (10% Duty Cycle, 1KHz)	500 mA
Power Dissipation	1.3 W
Junction Temperature	+125 °C
Junction-to-Ambient	+45 °C/W
Junction-to-case <sup>2</sup>	15 °C/W

Notes:

1. Metal core PCB defined as good heat transmission substrate (thickness of 2.0mm Al-based PCB 20x20mm,  $\Theta_{JC} < 15^\circ\text{C/W}$  could do)
2. Rth test condition: mounted on 2.0mm Al-based PCB 20x20mm.
3. Rth test condition: mounted on 2.0 mm Al-based PCB in size of 20 x 20 mm.

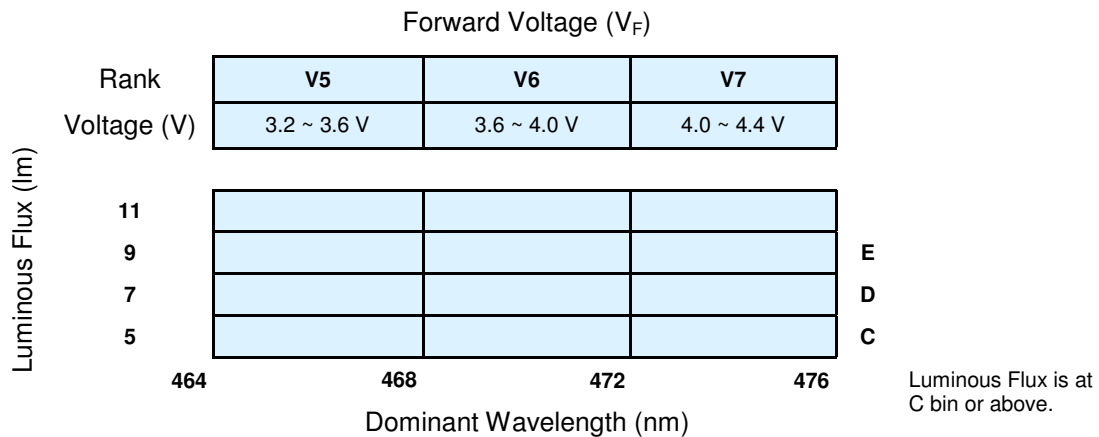
### Electrical Characteristics

$T_A = 25^\circ\text{C}$  (on metal core PCB<sup>1</sup>) unless otherwise noted

SYMBOL	PARAMETER	MIN	TYP	MAX	UNITS	CONDITIONS
lumen	Luminous Flux	5	11	----	lm	$I_F = 300\text{ mA}$
$V_F$	Forward Voltage	----	3.6	4.4	V	$I_F = 300\text{ mA}$
$I_R$	Reverse Current	----	----	10	$\mu\text{A}$	$V_R = 5\text{ V}$
$\lambda_D$	Dominant Wavelength	464	470	476	nm	$I_F = 300\text{ mA}$
$2\ \Theta_{1/2}$	50% Power Angle	----	140	----	deg	$I_F = 300\text{ mA}$

### Standard Bins ( $I_F = 300\text{ mA}$ )

Lamps are sorted to luminous flux ( $\Phi_V$ ) and dominant wavelength ( $\lambda_D$ ) and ranked as shown. Orders for OVSPBCCR8 may be filled with any or all bins contained as below.

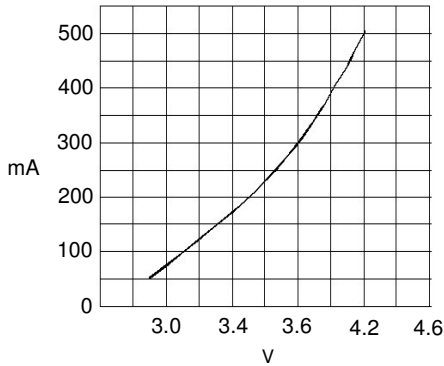


Notes:

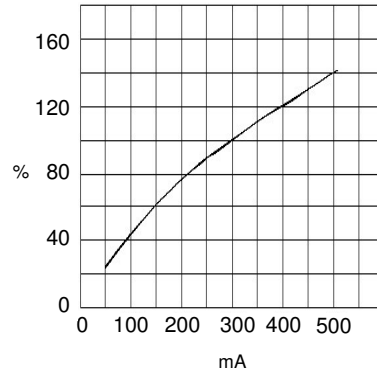
1. All ranks will be included per delivery, rank ratio will be based on the chip distribution.
2. Pb content <1000 PPM.
3. To designate luminous intensity ranks, please contact OPTEK.

OPTEK reserves the right to make changes at any time in order to improve design and to supply the best product possible.

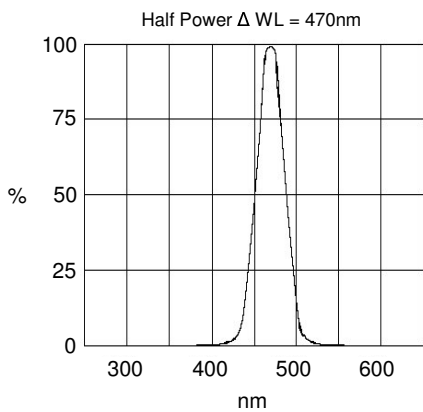
Typical Electro-Optical Characteristics Curves



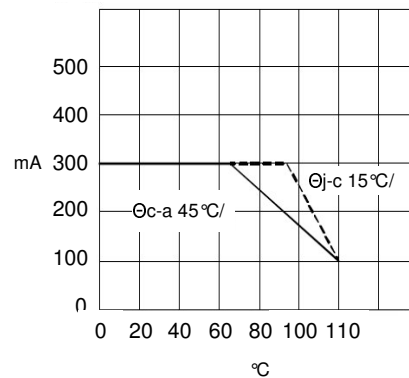
Forward Current vs Forward Voltage



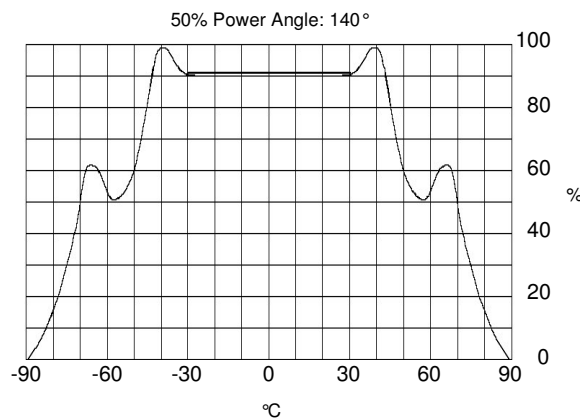
Relative Luminous Flux vs Forward Current



Relative Luminous Intensity vs Wavelength



Maximum Forward DC Current vs Ambient Temperature

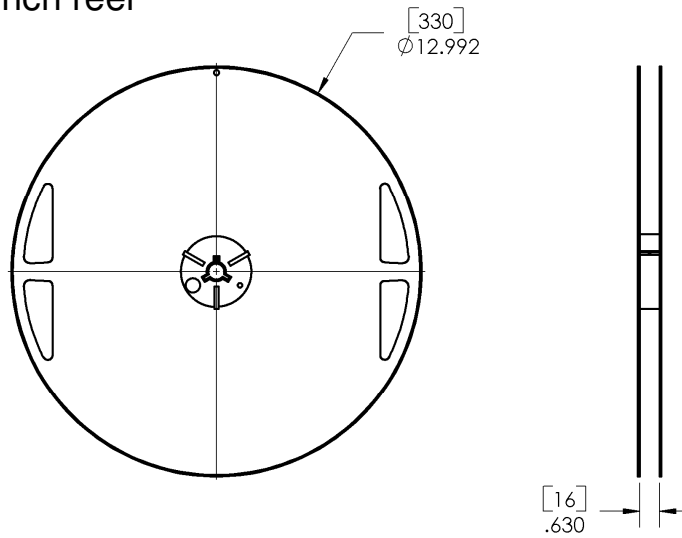


Far Field Pattern

OPTEK reserves the right to make changes at any time in order to improve design and to supply the best product possible.

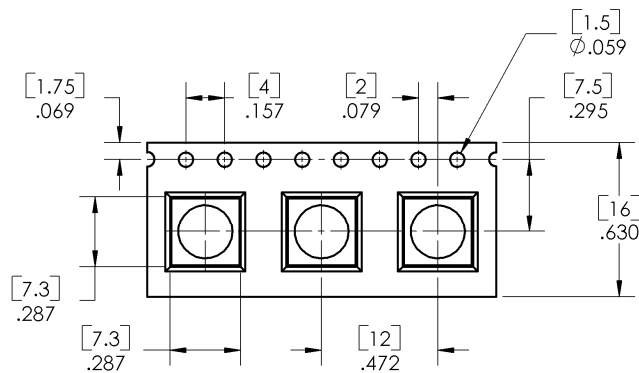
# 1-Watt SMD Blue LED Lamp (7 mm) OVSPBCCR8

Reel Dimensions: 13-inch reel



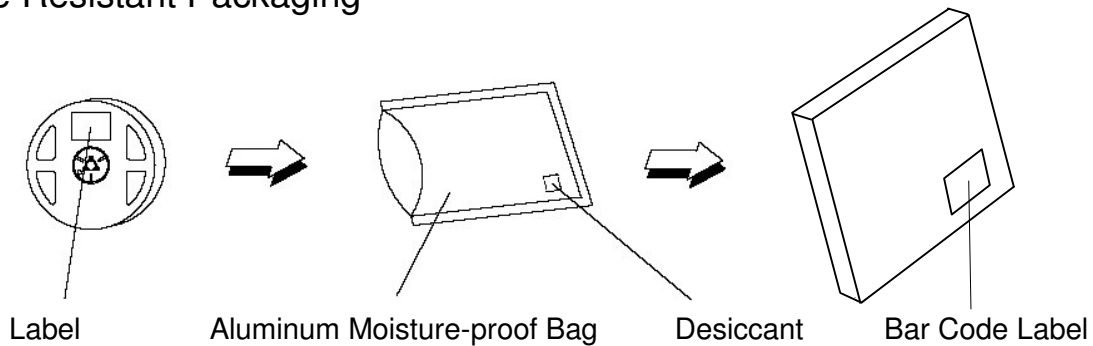
LOADED QUANTITY - 1400 PCS PER REEL

Carrier Tape Dimensions: Loaded quantity 1400 pieces per reel



DIMENSIONS ARE IN INCHES AND [MILLIMETERS].

## Moisture Resistant Packaging



OPTEK reserves the right to make changes at any time in order to improve design and to supply the best product possible.