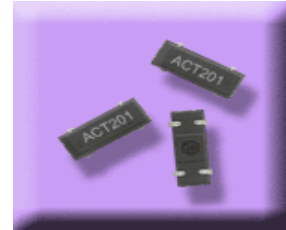


ACT201

The ACT201 is a miniature surface mount Watch Crystal whose low power consumption makes it ideal for portable applications. Its size makes it suitable for high density circuit boards or applications where space is limited and the tape and reel packaging means that it is ideal for automatic placement machines.

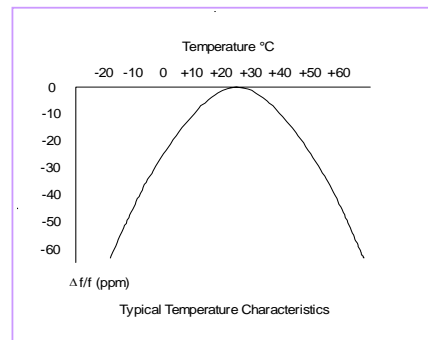
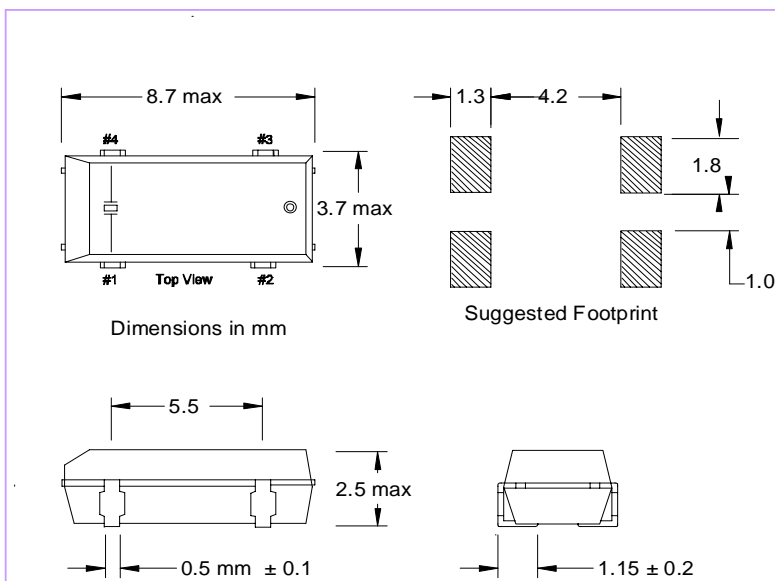
The heart of the device is a heat resistant cylinder type crystal which gives it high stability characteristics sufficient to allow reflow soldering. The epoxy based encapsulation makes it less porous than the ACT200 and, therefore, better suited to post reflow washing

Compatible with Eu Directive
 2002/95/EC - RoHS
 Contains Pb>85% high melting
 point solder exempted from
 Article 4(1) of the directive



Specification

Parameter	Symbol	Specification	Condition
Nominal Frequency	f_0	32.768KHz	
Frequency Tolerance	$\Delta f/f_0$	± 20 ppm	@25°C
Frequency v Temp Characteristics	$\Delta f/f_0$	See drawing	-10 ~ +60°C
Turnover Temperature	T_m	25°C $\pm 5^\circ$ C	
Freq. Temp. coefficient	β	(3.5 ± 0.8) x 10 ⁻⁸ /°C ² max	
Temp Operating Range	T_{opr}	-40 ~ +85°C	
Temp Storage Range	T_{stg}	-55 ~ +125°C	
Equivalent Series Resistance	ESR	50K Ω max	@25°C
Shunt Capacitance	C_0	1.0pF Typical	
Load Capacitance	CL	12.5pF	
Motional Capacitance	C1	2.1fF Typical	
Drive Level	DL	1 μ W max	
Insulation Resistance	IR	500M Ω min	@DC100v
Aging (first year)	Fa	± 5 ppm	@25°C



Please note that all parameters can not necessarily be specified in the same device
 Customer to specify : Frequency Tolerance, Load Capacitance, Operating Temperature Range & Storage Temperature Range

In line with our ongoing policy of product evolution and improvement, the above specification may be subject to change without notice.

ISO9001:2000 Registered

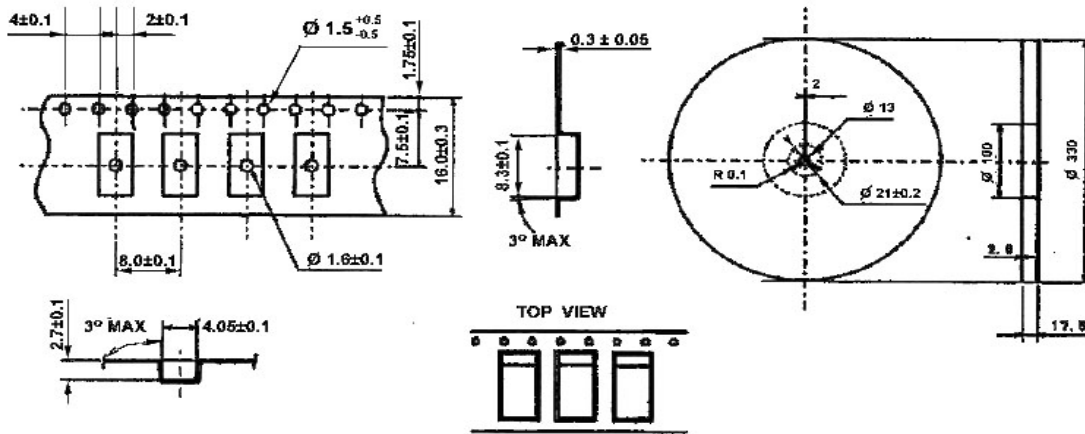
For quotations or further information please contact us at:
 3 The Business Centre, Molly Millars Lane, Wokingham, Berkshire, RG41 2EY, UK

<http://www.actcrystals.com>

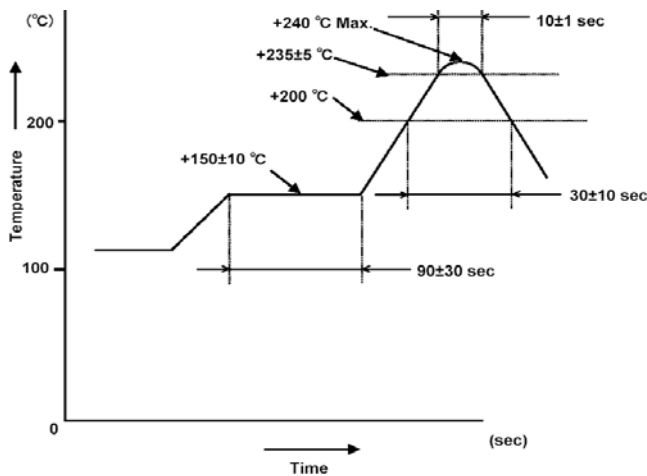
Issue : 4 I3
 Date : 17/08/04

ACT 201 TAPE AND REEL

Tape and Reel
 3,000 pcs per Reel
 Conforming to
 JIS C0806 TB1608L & R16D
 (EIAJ RC1088 TE1608L & R33)



ACT 201 REFLOW DIAGRAM



Please note that all parameters can not necessarily be specified in the same device

Customer to specify : Frequency Tolerance, Load Capacitance, Operating Temperature Range & Storage Temperature Range

In line with our ongoing policy of product evolution and improvement, the above specification may be subject to change without notice.

ISO9001:2000 Registered

For quotations or further information please contact us at:
 3 The Business Centre, Molly Millars Lane, Wokingham, Berkshire, RG41 2EY, UK
<http://www.actcrystals.com>

Issue : 4 |3
 Date 17/08/04