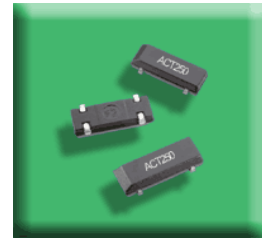


ACT250SMX-4

The ACT250SMX-4 is an ultra miniature surface mount Crystal whose low power consumption makes it ideal for portable applications. Its size makes it suitable for high density circuit boards or applications where space is limited and the tape and reel packaging means that it is ideal for automatic placement machines. The heart of the device is a heat resistant cylinder type crystal which gives it high stability characteristics sufficient to allow reflow soldering.

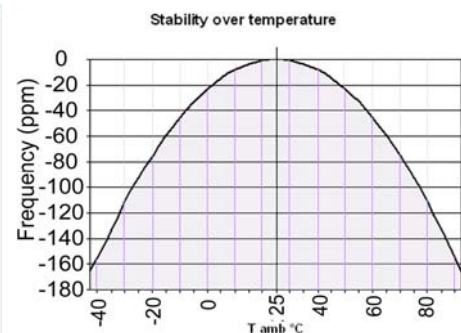
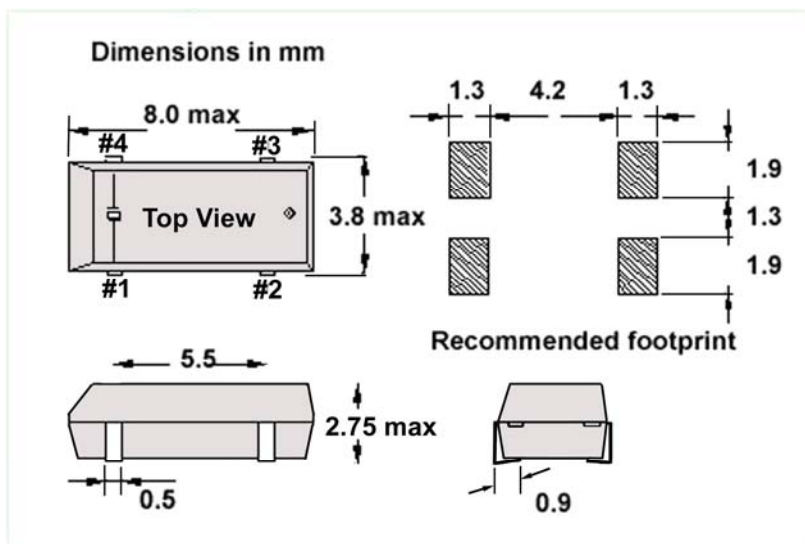
Compatible with Eu Directive
2002/EC - RoHS



Specification

Parameter	Symbol	Specification	Condition
Frequency Range	f_0	30.00 ~ 200KHz	Please specify
Frequency Tolerance	$\Delta f/f_0$	$\pm 10\text{ppm} \sim 100\text{ppm}$	Please specify
Frequency v Temp Characteristics	$\Delta f/F_0$	See drawing	-10 ~ +60°C
Turnover Temperature	T_m	25°C $\pm 5^\circ\text{C}$	
Freq. Temp. coefficient	β	-0.04ppm / °C ² max	
Temp Operating Range	T_{opr}	-10 ~ +60°C std (-40 ~ +85°C available)	Please specify
Temp Storage Range	T_{stg}	-20 ~ +70°C std	Others available, please enquire.
Equivalent Series Resistance	ESR	50k Ω max**	@ 25°C
Shunt Capacitance	C_0	2.0pF max	
Load Capacitance	C_L	10 ~ 25.0pF	Please specify.
Motional Capacitance	C_1	4.0 fF max	
Drive Level	DL	1.0 μ W max	
Insulation Resistance	IR	500M Ω Min	
Soldering reflow		see diagram: page 2	
Aging (first year)	F_a	$\pm 5\text{ppm} / \text{first year}$	25°C $\pm 3^\circ\text{C}$

** For the ESR specification on specific frequencies please enquire.



Pad Surface
Material
Sn/Cu

Please note that all parameters can not necessarily be specified in the same device

Customer to specify : Frequency, Frequency tolerance, Operating Temperature, Load capacitance

In line with our ongoing policy of product evolution and improvement, the above specification may be subject to change without notice

ISO9001:2000 Registered

For quotations or further information please contact us at:

3 The Business Centre, Molly Millars Lane, Wokingham, Berkshire, RG41 2EY, UK

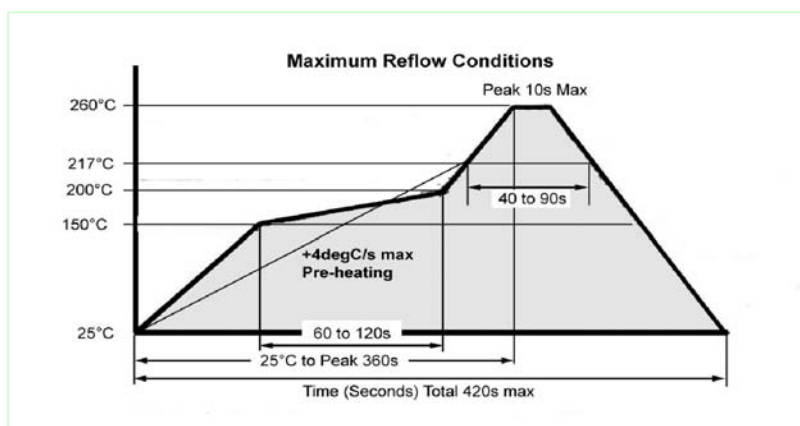
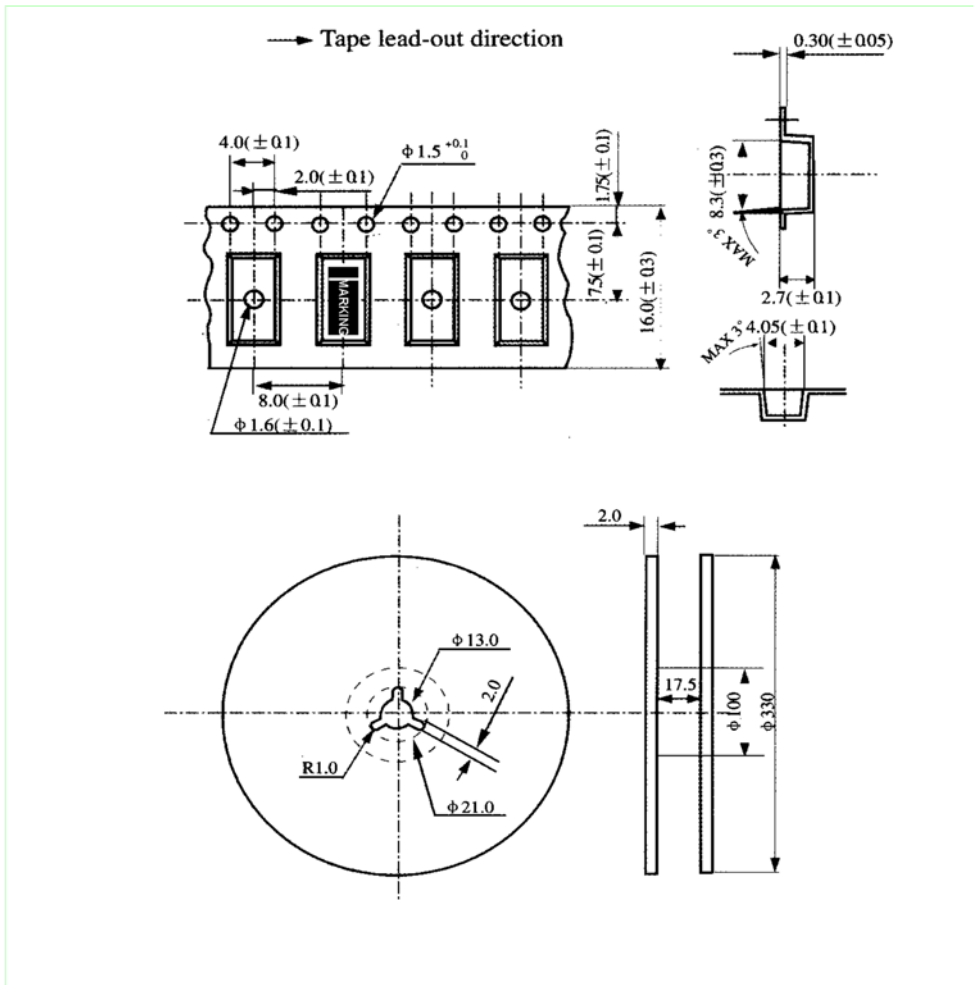
<http://www.actcrystals.com>

Issue : 6 C1b
Date : 8-11-2006

ACT250SMX-4

TAPE AND REEL DIMENSIONS (mm)

Standard Reel Size 2000 pieces



In line with our ongoing policy of product evolution and improvement, the above specification may be subject to change without notice

ISO9001:2000 Registered

For quotations or further information please contact us at:
3 The Business Centre, Molly Millars Lane, Wokingham, Berkshire, RG41 2EY, UK

<http://www.actcrystals.com>

Issue : 6 C1b
Date : 8-11-2006