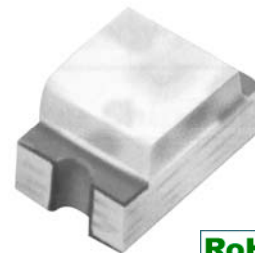


0805 Package Chip LED

Features

- Package in 8mm tape on 7" diameter reel
- Compatible with automatic placement equipment
- Compatible with infrared and vapor phase reflow solder process
- Mono-color type
- RoHS compliance



OSLP2XF2



Applications

- Automotive: Backlighting in dashboards and switch
- Telecommunication: indicator and backlighting in telephone and fax
- Flat backlight for LCD, switches and symbols
- General Use

Descriptions

- This SMD Taping is much smaller than leaded components, thus enable smaller board higher packing density, reduced storage space and finally smaller equipment to be obtained.
- Light weight makes them ideal for miniature applications

Device Selection Guide

Part No.	Chip		Lens Color
	Material	Emitted Color	
TSP2-XF2012A3	AlGaInP	Super Yellow	Water Clear

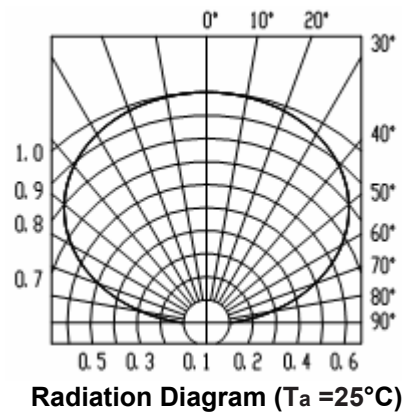
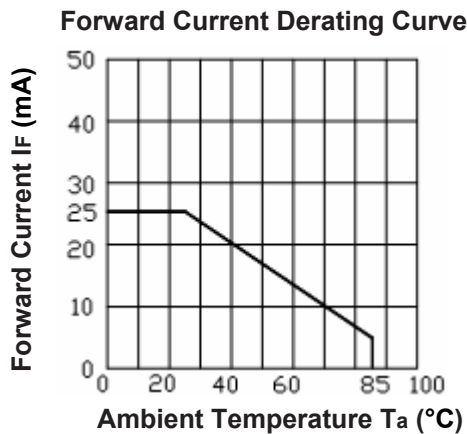
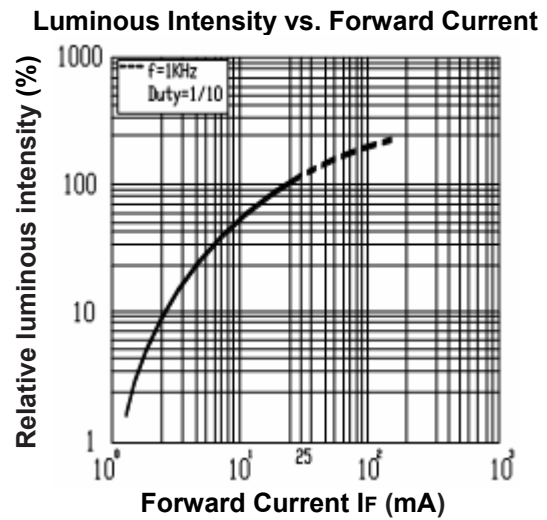
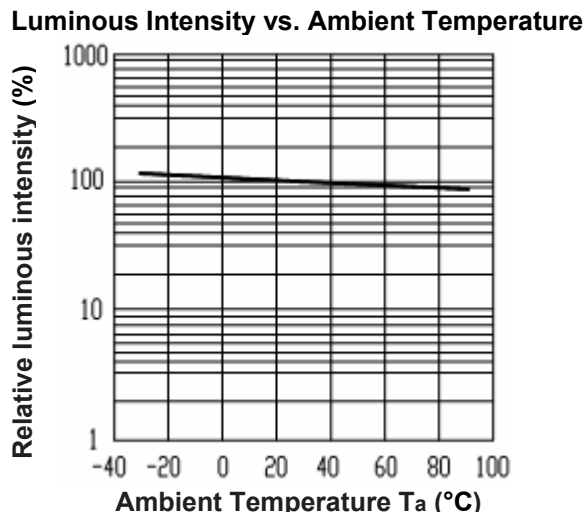
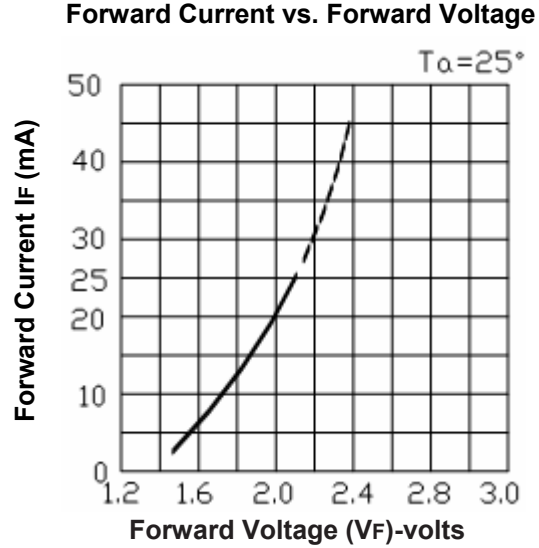
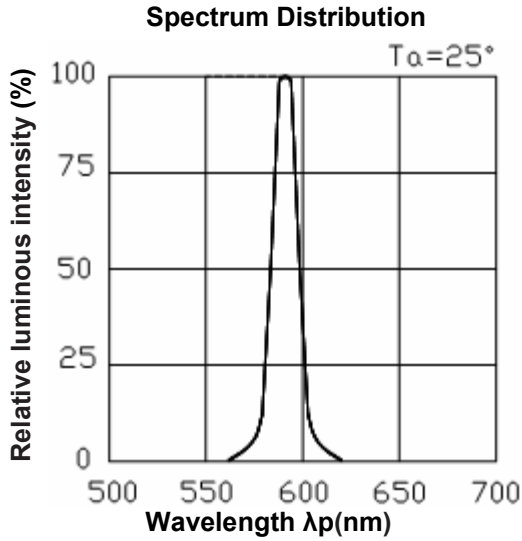
Absolute Maximum Ratings (T_a=25°C)

Parameter	Symbol	Value	Unit
Reverse Voltage	V_R	5	V
Forward Current	I_F	25	mA
Peak Forward Current (Duty 1/10 @1KHz)	I_{F(Peak)}	160	mA
Power Dissipation	P_d	60	mW
Electrostatic Discharge	ESD	2000	V
Soldering Temperature	T_{sol}	260 (for 5 seconds)	°C
Operating Temperature	T_{opr}	-40 ~ +85	°C
Storage Temperature	T_{stg}	-40 ~ +90	°C

Electro-Optical Characteristics (T_a=25°C)

Parameter	Symbol	Min.	Typ.	Max.	Unit	Condition
Luminous Intensity	I_v	----	4	----	mcd	I _F =2mA
		41	64	----	mcd	I _F =20mA
Viewing Angle	2θ_{1/2}	----	140	----	deg	
Peak Wavelength	λ_p	----	591	----	nm	
Dominant wavelength	λ_d	----	589	----	nm	
Spectrum Radiation Bandwidth	Δλ	----	15	----	nm	
Forward Voltage	V_F	----	2.0	2.4	V	
Reverse Current	I_R	----	----	10	μA	V _R =5V

Typical Electro-Optical Characteristics Curves



Reliability Test Items and Conditions

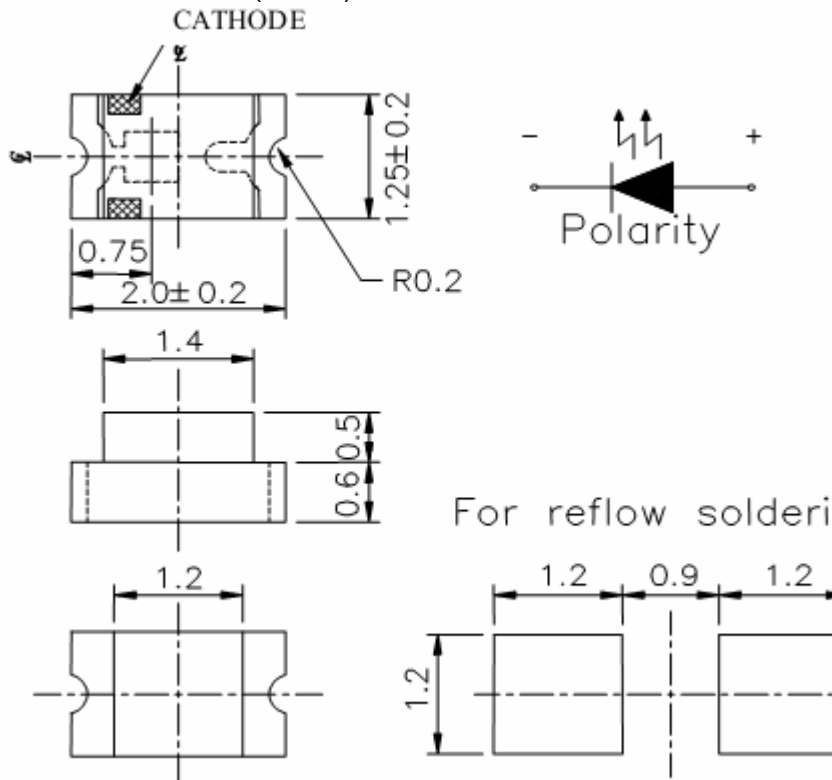
The reliability of products shall be satisfied with items listed below.

Confidence level: 90%,

LTPD: 10%

No.	Items	Test Condition	Test Hours / Cycles	Sample Size	Ac/Re
1	Solder Heat	Temp.: 260°C ±5°C.	5 Sec	76 PCS.	0/1
2	Temperature Cycle	H: +85°C 30min ↓ 5 min L: -55°C 15min	50 Cycles	76 PCS.	0/1
3	Thermal Shock	H: +100°C 5min ↓ 10 sec L: -10°C 5min	50 Cycles	76 PCS.	0/1
4	High Temperature Storage	Temp: 100°C	1000 Hrs.	76 PCS.	0/1
5	Low Temperature Storage	Temp: -55°C	1000 Hrs.	76 PCS.	0/1
6	DC Operating Life	I _F = 20 mA	1000 Hrs.	76 PCS.	0/1
7	High Temperature / High Humidity	85°C / 85%RH	1000 Hrs.	76 PCS.	0/1

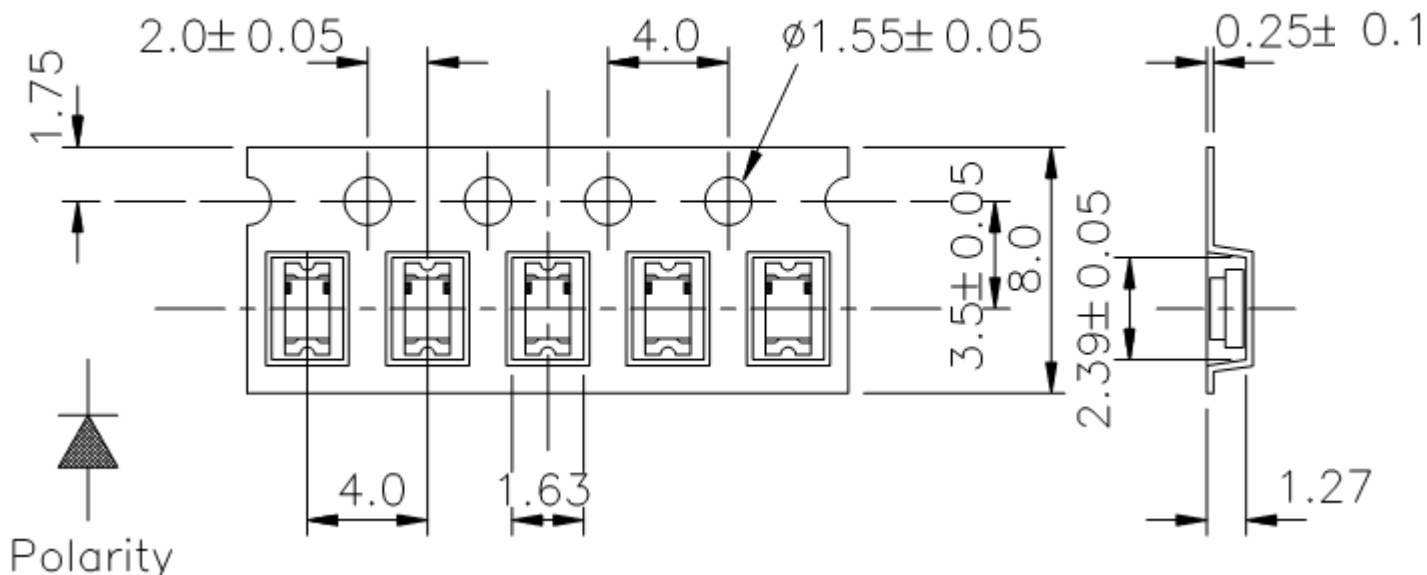
Package Dimensions (In mm)



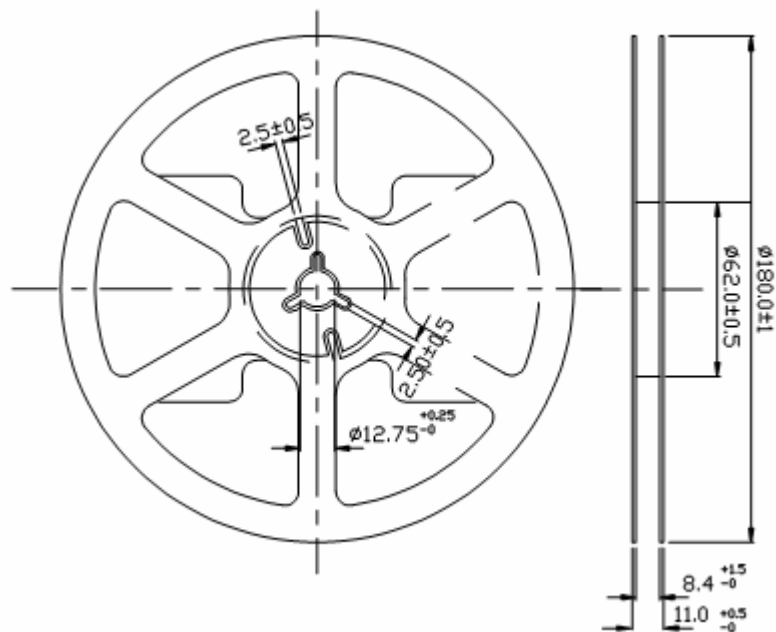
Note: The tolerances unless mentioned is ± 0.1 mm, Unit = mm

Carrier Tape Dimensions Loaded quantity 3000pcs per reel (In mm)

Progressive direction

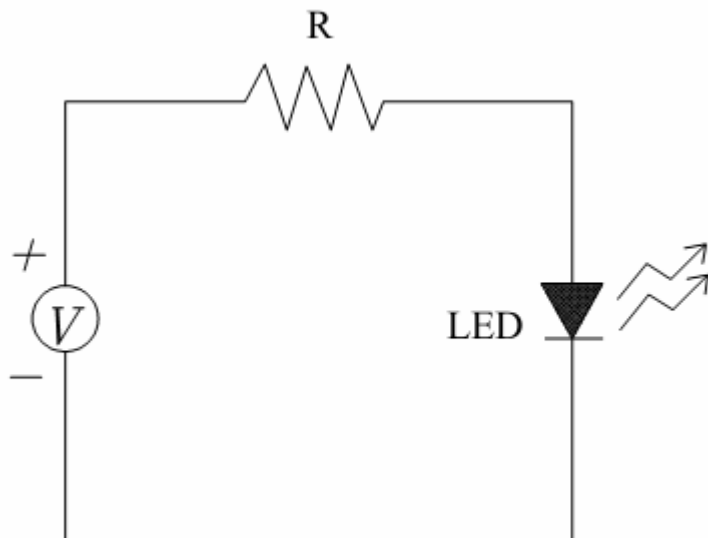


Reel Dimensions



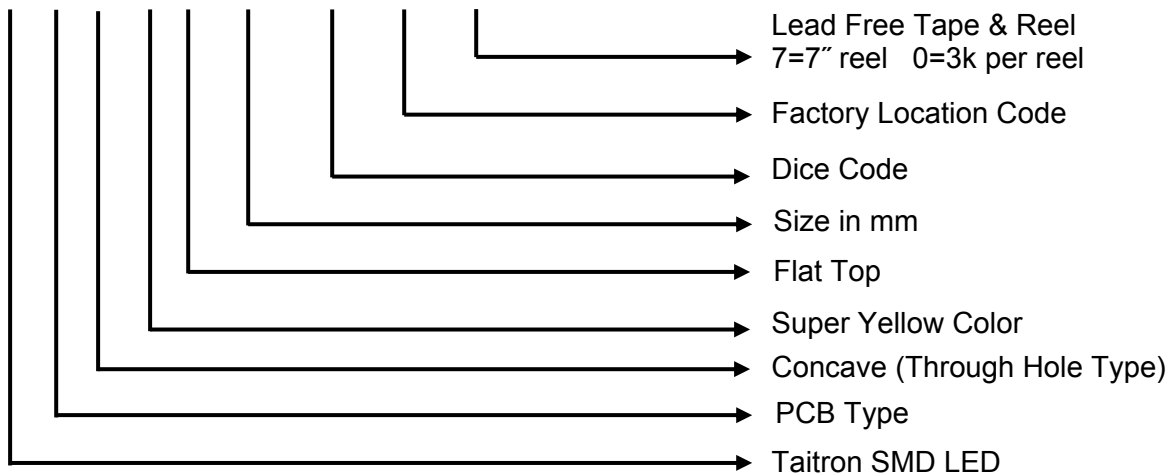
Note: The tolerances unless mentioned is ± 0.1 mm, Unit = mm

Test Circuit



Ordering Information

T S P 2 - X F 2 0 1 2 A 3 - 9 2 - T R 7 0



How to contact us

US HEADQUARTER

28040 WEST HARRISON PARKWAY, VALENCIA, CA 91355-4162

Tel: (800) TAITRON (800) 247-2232 (661) 257-6060

Fax: (800) TAITFAX (800) 824-8329 (661) 257-6415

Email: taitron@taitroncomponents.com

Http://www.taitroncomponents.com

TAITRON COMPONENTS MEXICO, S.A .DE C.V.

BOULEVARD CENTRAL 5000 INTERIOR 5 PARQUE INDUSTRIAL ATITALAQUIA, HIDALGO

C.P. 42970 MEXICO

Tel: +52-55-5560-1519

Fax: +52-55-5560-2190

TAITRON COMPONETS INCORPORATED E REPRESENTAÇÕES DO BRASIL LTDA

RUA DOMINGOS DE MORAIS, 2777, 2.ANDAR, SALA 24 SAÚDE - SÃO PAULO-SP 04035-001

BRAZIL

Tel: +55-11-5574-7949

Fax: +55-11-5572-0052

TAITRON COMPONETS INCORPORATED, SHANGHAI REPRESENTATIVE OFFICE

CROSS REGION PLAZA, 899 LINLING ROAD, SUITE 18C, SHANGHAI, 200030, CHINA

Tel: +86-21-54249942

Fax: +86-21-5424-9931