

**Features**

- Low cost
- High reliability
- 105°C output capacitor
- International AC input range
- High efficiency, low temperature rise
- Soft-start circuit, limiting AC surge current
- Short circuit, overload, battery protected
- Compact size, light weight
- 100% full load burn-in test
- Built in EMI filter, low ripple noise



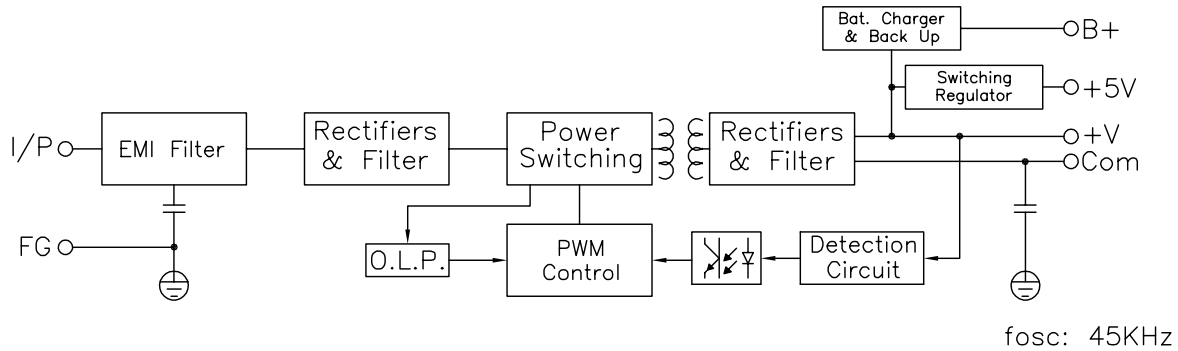
	CH1	CH2	CH3
DC output voltage	27.6V	5V	26.5V
Output V. tolerance	±1%	±3%	---
Output rated current	2.5A	3A	0.16A
Output current range	0-2A	0-4A	---
Ripple & noise	150mVp-p	150mVp-p	---
Line regulation	±1%	±0.5%	---
Load regulation	±1%	±0.5%	---
DC output power	55.12W		
Efficiency	74%		
DC voltage adj.	CH1: 24-29V		
Input voltage range	88~264VAC 47~63Hz; 120-370VDC		
AC current	1.6A/115V 1A/230V		
Inrush current	cold start 20A/115V 40A/230V		
Leakage current	<1mA/240VAC		
Overload protection	105%~150% / 230VAC type: Hiccup mode, recovers automatically after fault condition is removed		
Over voltage protection	CH1: 105%~135% type: pulse by pulse		
DC alarm signal (optional)	AC fail CH1 PIN2 battery low under charge voltage 82.5% ± 2% CN1 PIN1 normal 0.8V max. abnormal 5V±0.5V		
Temperature coefficient	±0.03% / °C (0~50°C) on CH1 output		
Set up, rise, hold up time	1.6s, 50ms, 16ms/115VAC 800ms, 50ms, 60ms / 230VAC		
Vibration	10~500Hz, 2G 10 min./1 cycle, period of 60 min. each axes		
Withstand voltage	I/P-O/P: 3KVAC I/P-FG: 1.5KVAC O/P-FG: 0.5KVAC for 1 min.		
Isolation resistance	I/P-O/P, I/P-FG, O/P-FG: 500VDC / 100M Ohms min.		
Working temp., humidity	-10°C~+60% (refer to output derating curve), 20%-90% RH		
Storage temp., humidity	-20°C~+85°C, 10%-95% RH		
Dimensions	6.36x3.88x1.52 inches (161.54x98.55x38.6mm) Case: 901		
Weight	1.25lbs (0.57 Kgs)		
Safety standards	meets IEC950 requirements		
EMC standards	meets CISPR22 (EN55022) class B, EN61000-4,2,3,4,5,6,8,11, EN61000-3-2, -3 verification		

**Notes:**

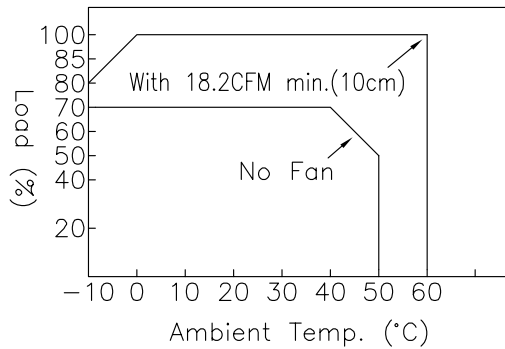
1. All parameters are specified at 230VAC input, rated load, 25°C 70% ambient
2. Tolerance includes set up tolerance, line regulation, load regulation
3. Ripple & noise are measured at 20MHz by using a 12" twisted pair terminated with a 0.1uF & 47 uF capacitor
4. Line regulation is measured from low line to high line at rated load
5. Load regulation is measured from 20% to 100% rated load, and other output at 60% rated load
6. Each output provides up to maximum current, but total load can not exceed maximum output power
7. CH2 Bat. charger voltage at no load, rated current at Bat. V=11V/22V

V-Infinity reserves the right to make changes to its products or to discontinue any product or service without notice, and to advise customers to verify the most up-to-date product information before placing orders. V-Infinity assumes no liability or responsibility for customer's applications using V-Infinity products other than repair or replacing (at V-I's option) V-Infinity products not meeting V-I's published specifications. Nothing will be covered outside of standard product warranty.

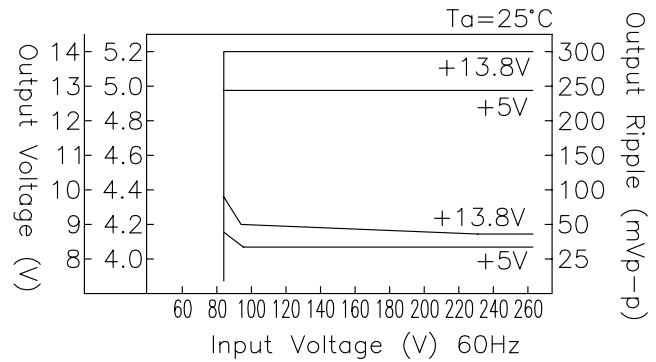
### Block Diagram



### Output Derating



### Static Characteristics



### Dimensions (mm)

- Pin No. Assignment
- C Input
  - C Input
  - G
  - C Output Com
  - C Output +V
  - at. +
  - at. -/Com
  - C/DC Output +5V

