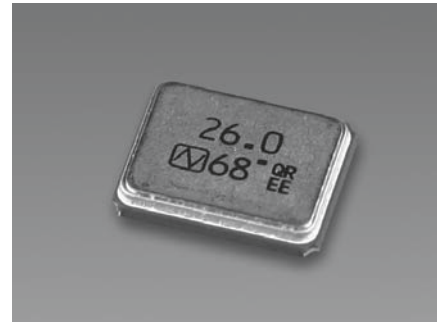


## NX3225SA For OA / AV / Short-range Wireless

### ■ Features

A small surface-mount type crystal unit, especially suited for small-sizing requirements.

- Ultra compact and thin. (3.2 × 2.5 × 0.55mm typ.)
- Excellent environmental characteristics, including heat and shock resistance.
- Excellent electrical performance, ideal for OA (office automation), AV (audiovisual), Bluetooth and Wireless LAN applications.
- Lead-free. Meets the requirements for re-flow profiling using lead-free solder.



**Pb Free**

**RoHS Compliant**  
Directive 2002/95/EC

### ■ Specifications

Item	Model	NX3225SA
Frequency Range		12 to 54MHz
Overtone Order		Fundamental
Frequency Tolerance (25 ±3°C)		±15 × 10 <sup>-6</sup>
Temperature Characteristics (with reference to +25°C)		±15 × 10 <sup>-6</sup>
Operating Temperature Range		-10 to +75°C
Equivalent Series Resistance		Refer to *1
Drive Level		10μW(Max:200μW)
Load Capacitance		8pF

The above specifications are standard for this NDK product.

Custom-made specifications such as load capacitance and temperature characteristics are also available.

Please contact NDK sales with your enquiries.

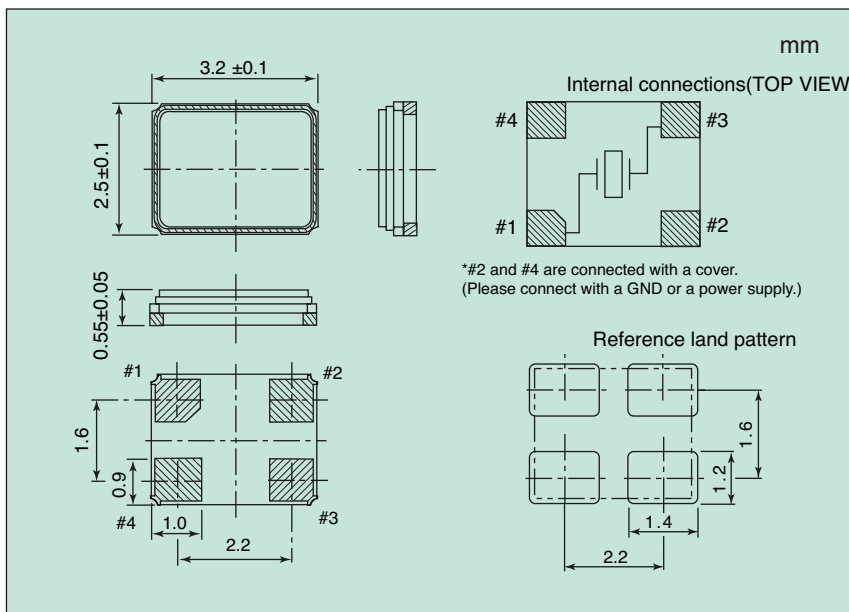
### ■ How to Specify an Order

When ordering our products, specify them with an "Ordering Code" that consists of the following :

Model name - Frequency (Max : 9 digits) M - Number for specifying an order      Example NX3225SA-12.000M-STD-CSR-3

If you have any queries concerning our standard frequencies and numbers for specifying orders, please contact our sales representatives or visit our homepage (<http://www.ndk.com/>).

### ■ Dimensions



\*1 Equivalent Series Resistance

Frequency (MHz) (Range)	Equivalent Series Resistance max.[Ω]
12 to 13	120
13 to 16	100
16 to 20	80
20 to 30	70
30 to 54	50