

Precision Rotative Transducers, Conductive Plastic, Economic Series (ECO)



FEATURES

- Size 05 - 09 - 13 are available
- Long Life up to 30 million cycles
- Accuracy $\pm 1\%$ down to $\pm 0.25\%$
- Bush or servo mounting types
- Rear mounted terminals
- Following MIL-R-39023 and NFC 93-255 requirements



The “ECO” models are a comprehensive range of rotational motion transducers for industrial applications.

All mechanical and electrical parameters can be adapted to meet your specifications.

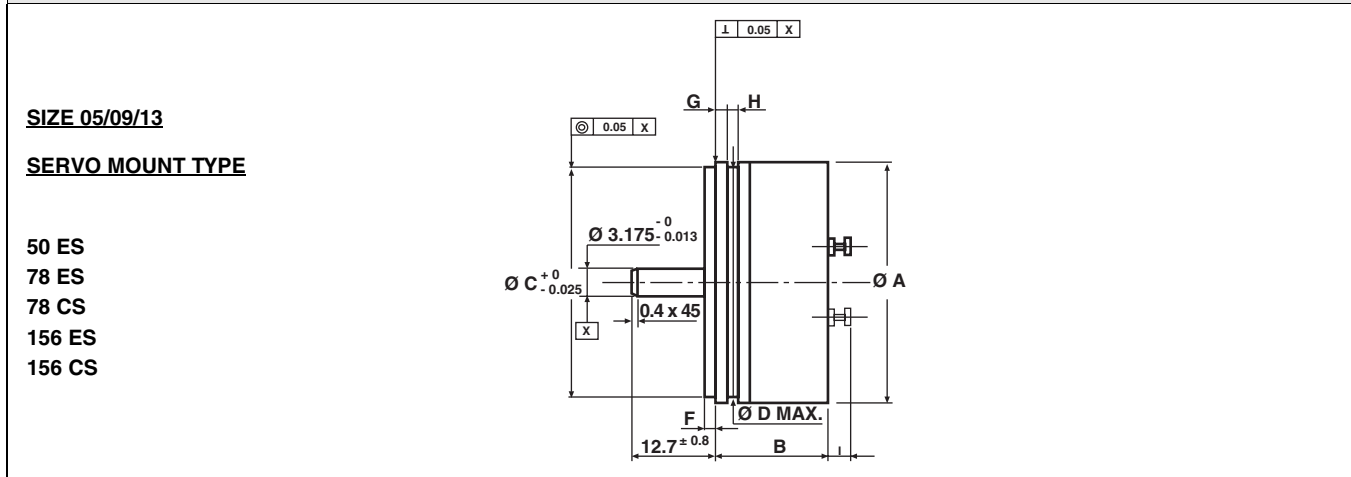
SIZE	05		09			13		
MODEL	50 ES	50 CB	78 ES	78 CS	78 CB	156 ES	156 CS	156 CB

ELECTRICAL SPECIFICATIONS							
Theoretical Electrical Angle (TEA)	Actual electrical angle (AEA) - 2°						
Independent Linearity (over TEA)	A $\leq \pm 1\%$ (standard)		B $\leq \pm 0.5\%$ (special)			C $\leq \pm 0.25\%$ (special)	
Actual Electrical Angle (AEA)	330° $\pm 5^\circ$		340° $\pm 5^\circ$			350° $\pm 5^\circ$	
Ohmic Values (R_T)	1 k Ω - 5 k Ω - 10 k Ω - on request other values						
Ohmic Value Tolerances at 20 °C	$\pm 10\%$	$\pm 20\%$	$\pm 10\%$	$\pm 20\%$	$\pm 10\%$	$\pm 20\%$	
Output Smoothness	$\leq 0.05\%$						
Maximum Power Rating at 70 °C	0.2 W		0.3 W			0.5 W	
Wiper Current	Recommended: a few μA - 1 mA max. (continuous)						
Tap (Current or Voltage)	NA		1 (on request)				
Resistance Load on Wiper	Minimum $10^3 \times R_T$						
End Voltage	$\leq 0.2\%$	$\leq 0.5\%$	$\leq 0.2\%$	$\leq 0.5\%$	$\leq 0.2\%$	$\leq 0.5\%$	
Insulation Resistance	$\geq 1000 \text{ M}\Omega$, 500 V _{DC}						
Dielectric Strength	$\geq 500 \text{ V}_{\text{RMS}}$, 50 Hz						

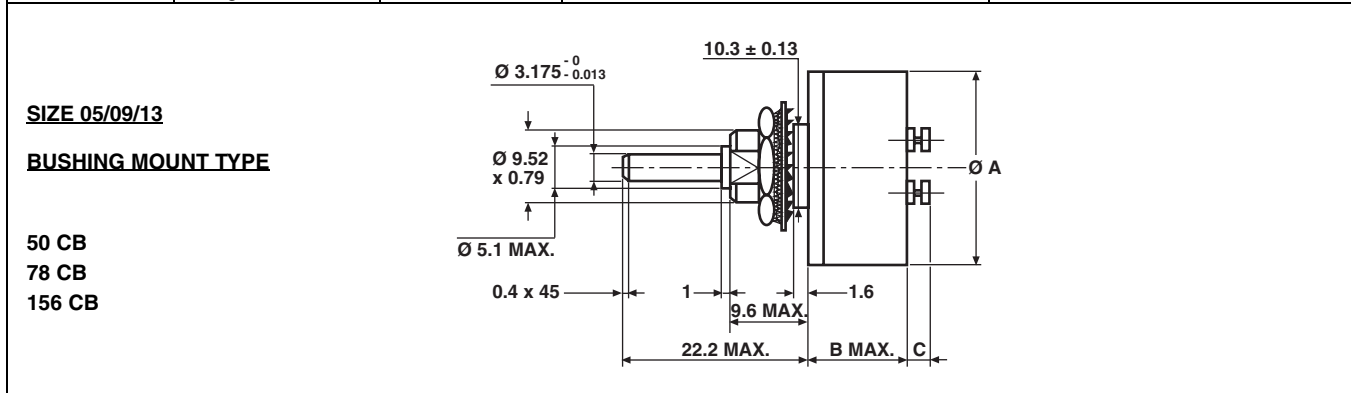
MECHANICAL SPECIFICATIONS							
Mechanical Angle (MA)	360° continuous						
On Request: Stops	NA		340° $\pm 3^\circ$			350° $\pm 3^\circ$	
Mounting Type	Servo	Bushing	Servo	Bushing	Servo	Bushing	
Shaft Guiding	Ball bearings	Sleeve bearings	Ball bearings	Sleeve bearings	Ball bearings	Sleeve bearings	
Shaft	Stainless steel						
Housing	Plastic moulding						
Termination	Turrets						
Wiper	Precious metal multi-finger contact						
Starting Torque (N.cm)	≤ 0.2	≤ 0.5	≤ 0.2	≤ 0.5	≤ 0.2	≤ 0.5	
Torque on Stops (N.cm)	50						
Weight (g)	5 ± 2	8 ± 2	13 ± 2	17 ± 2	29 ± 2	34 ± 2	
Moment of Inertia (g cm ²)	≤ 0.5		≤ 1			≤ 2	

PERFORMANCE		
Life (10 ⁶ Cycles)	30 (on ES models)	20 (on CS and CB models)
Temperature Range	- 55 °C to + 125 °C	
Climatic Category	55/125/04	
Speed Rotation (RPM)	600 (on ES models)	150 (on CS and CB models)
Sine Vibration on 3 Axes	1.5 mm or 20 g from 10 Hz to 2000 Hz	
Mechanical Shocks on 3 Axes	50 g - 11 ms - half sine	

DIMENSIONS in millimeters, general tolerance ± 0.5 mm

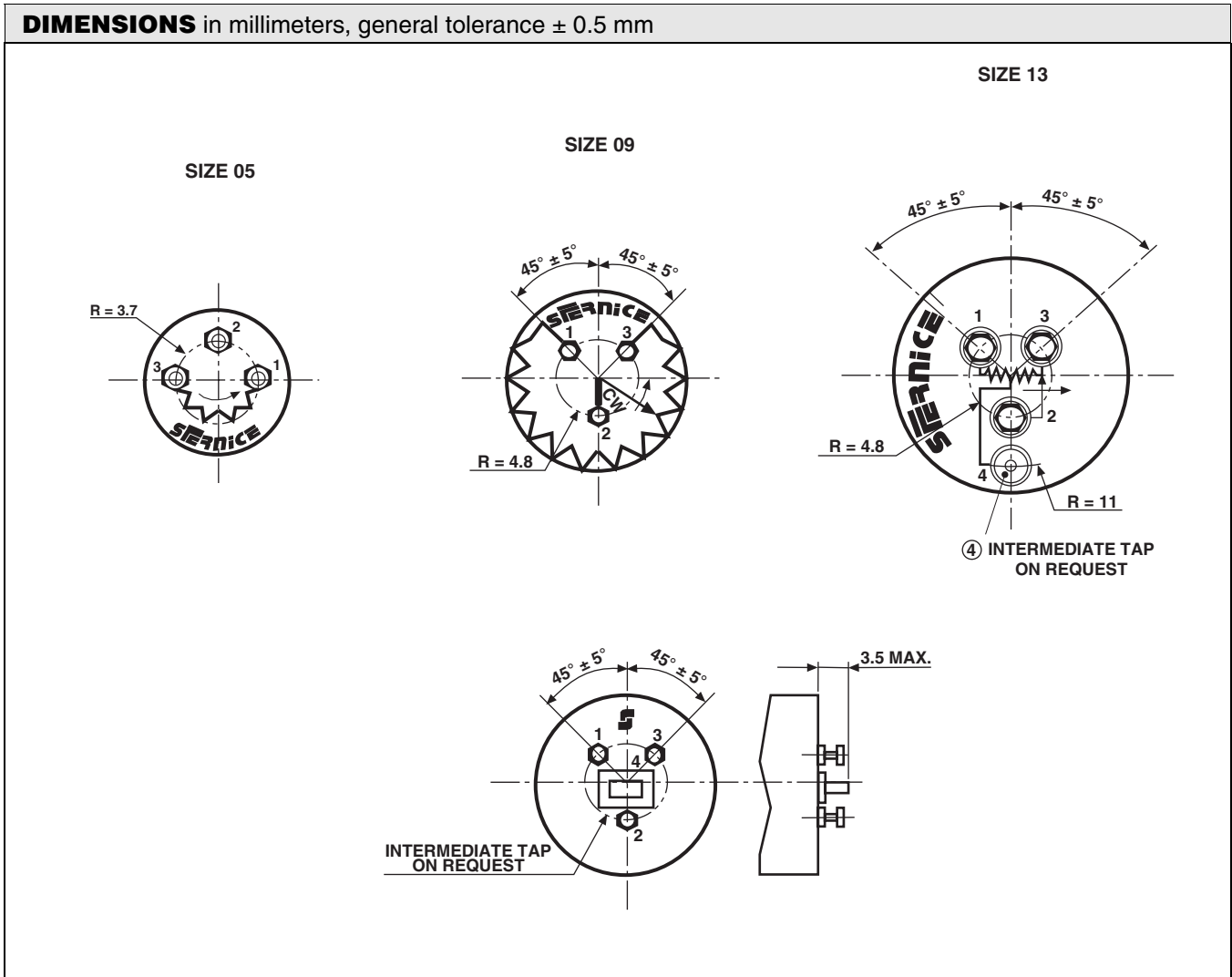


DIMENSIONS	DESIGNATION	SIZE 05	SIZE 09		SIZE 13	
		50 ES	78 ES	78 CS	156 ES	156 CS
$\varnothing A$	\varnothing housing	12.7	22.2		33.3	
B	Length	13.0	13.5		18.0	
$\varnothing C$	\varnothing pilot	9.525	19.05		30.16	
$\varnothing D$ max.	\varnothing groove	11.45	19.64		30.9	
F	Flange thickness	1 ± 0.1			1.6 ± 0.1	
G	Shoulder	1.2 ± 0.1			1.6 ± 0.1	
H	Dia. of groove	1.2 ± 0.2			1.5 min.	
I max.	Height of the turret	2.5	2.5		3.6	



DIMENSIONS	DESIGNATION	SIZE 05	SIZE 09	SIZE 13
		50 CB	78 CB	156 CB
$\varnothing A$	\varnothing housing	12.7	22.2	33.3
B max.	Length	11	11.5	16
C max.	Height of the turret	2.5	2.5	3.6

DIMENSIONS in millimeters, general tolerance ± 0.5 mm



ORDERING INFORMATION/DESCRIPTION

ECO	78	E	S	A	T	103	e4
SERIES	MODEL	TYPE	FIXATION	LINEARITY	TAP	OHMIC VALUE	LEAD
		E = Ball bearings C = Sleeve bearings	S: Servo B: Bushing	Code A: $\pm 1\%$ B: $\pm 0.5\%$ C: $\pm 0.25\%$	On request T: Voltage U: Current position to be specified	First 2 digits are significant numbers 3rd digit indicates number of zeros	Finish

SAP PART NUMBERING GUIDELINES

ECO	78CB	C	502
SERIES	MODEL	LINEARITY	OHMIC VALUE



Disclaimer

All product specifications and data are subject to change without notice.

Vishay Intertechnology, Inc., its affiliates, agents, and employees, and all persons acting on its or their behalf (collectively, "Vishay"), disclaim any and all liability for any errors, inaccuracies or incompleteness contained herein or in any other disclosure relating to any product.

Vishay disclaims any and all liability arising out of the use or application of any product described herein or of any information provided herein to the maximum extent permitted by law. The product specifications do not expand or otherwise modify Vishay's terms and conditions of purchase, including but not limited to the warranty expressed therein, which apply to these products.

No license, express or implied, by estoppel or otherwise, to any intellectual property rights is granted by this document or by any conduct of Vishay.

The products shown herein are not designed for use in medical, life-saving, or life-sustaining applications unless otherwise expressly indicated. Customers using or selling Vishay products not expressly indicated for use in such applications do so entirely at their own risk and agree to fully indemnify Vishay for any damages arising or resulting from such use or sale. Please contact authorized Vishay personnel to obtain written terms and conditions regarding products designed for such applications.

Product names and markings noted herein may be trademarks of their respective owners.