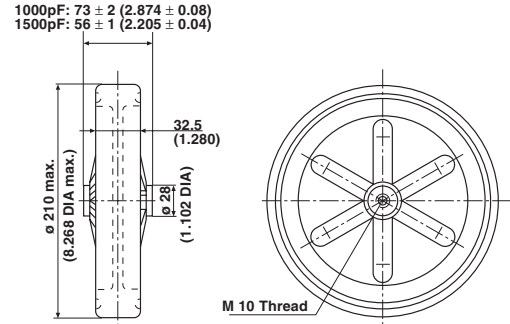
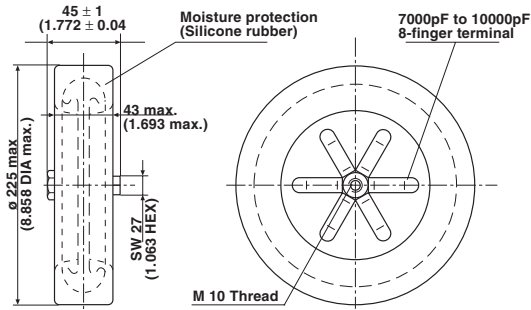


## Plate Capacitors with Moisture Protection Plate Capacitors for Higher Voltages

**PEF 220 12KV<sub>P</sub>TO 20KV<sub>P</sub> FPE 21030KV<sub>P</sub>**


• Dimensions in millimeters (inches)

<b>PEF 220</b>				
CERAMIC	CAPACITANCE VALUE [pF]	RATED VOLTAGE [KV <sub>P</sub> ]	RATED POWER* [KVA <sub>r</sub> ]	RATED CURRENT [A <sub>RMS</sub> ]
R 7	160	20	110	60
	200			
	250			
	300			
	400			
R 16	500	18	140	60
	600	16		
R 42	800	20	140	60
	1000			
	1200			
	1600			
R 85	2000	20	140	60
	2500			
	3000			
	4000			
	5000			
R 230	6000	20	140	60
	7000	15		100
	8000			
	10000			
<b>FPE 210</b>				
R 85	1000	30	max. 160	max. 60
	1500		max. 90	max. 90

\*The surface temperature of 100°C must not be exceeded

**CAPACITANCE TOLERANCES:** ± 20%, ± 10%

**MATERIAL:**

Capacitor elements made from Class 1 ceramic dielectric with noble metal electrodes.

Connection Terminals: Copper/brass, silver plated.

**FINISH:**

Noble metal electrodes completely lacquered. Flat rim glazed. Contoured rim with additional moisture protection at model PEF 220.

**MARKING:**

Type designator, Capacitance value and tolerance, Rated voltage (peak value), Production date code, Ceramic material code, DRALORIC Logo.

<b>ORDERING INFORMATION</b>				
MODEL	RATED VOLTAGE	CAPACITANCE VALUE	TOLERANCE	CERAMIC
FPE 210	30KV <sub>P</sub>	1000pF	± 10%	R 85



## Disclaimer

All product specifications and data are subject to change without notice.

Vishay Intertechnology, Inc., its affiliates, agents, and employees, and all persons acting on its or their behalf (collectively, "Vishay"), disclaim any and all liability for any errors, inaccuracies or incompleteness contained herein or in any other disclosure relating to any product.

Vishay disclaims any and all liability arising out of the use or application of any product described herein or of any information provided herein to the maximum extent permitted by law. The product specifications do not expand or otherwise modify Vishay's terms and conditions of purchase, including but not limited to the warranty expressed therein, which apply to these products.

No license, express or implied, by estoppel or otherwise, to any intellectual property rights is granted by this document or by any conduct of Vishay.

The products shown herein are not designed for use in medical, life-saving, or life-sustaining applications unless otherwise expressly indicated. Customers using or selling Vishay products not expressly indicated for use in such applications do so entirely at their own risk and agree to fully indemnify Vishay for any damages arising or resulting from such use or sale. Please contact authorized Vishay personnel to obtain written terms and conditions regarding products designed for such applications.

Product names and markings noted herein may be trademarks of their respective owners.