

PRELIMINARY DATA SHEET

# HAL400 Linear Hall Effect Sensor IC

Edition Jan. 23, 1997  
6251-346-3PD

# ITT INTERMETALL

**Linear Hall Effect Sensor IC**  
in CMOS technology

**Release Notes: Revision bars indicate significant changes to the previous edition.**

**Features:**

The linear CMOS Hall Sensor is used for precise measurements of the magnetic flux. The differential output voltage is proportional to the magnetic flux density at a right angle to the sensitive area. Due to chopper compensation, low magnetic offset and offset drift is achieved. It can be used as a current sensor or can detect any mechanical movement. Very accurate angle measurements or distance measurements can be done. The sensor is very robust and can be used in an electrically and mechanically hostile environment.

- low magnetic offset
- extremely sensitive
- 4.8 to 12 Volt operation
- wide temperature range  $T_A = -40$  to  $+150$  °C
- over-voltage protection
- differential output
- accurate absolute measurements of DC and low frequency magnetic flux densities
- on-chip temperature compensation
- low 1/f-noise

**Specifications**

**Marking Code**

Type	Temperature Range		
	A	E	C
HAL400S	400A	400E	400C

**Operating Junction Temperature Range**

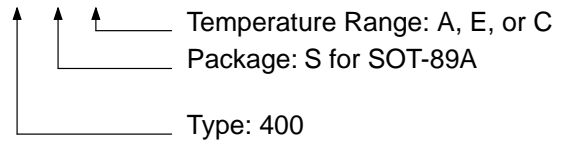
**A:**  $T_J = -40$  °C to  $+170$  °C

**E:**  $T_J = -40$  °C to  $+100$  °C

**C:**  $T_J = 0$  °C to  $+100$  °C

**Designation of Hall Sensors**

HALXXXPP-T

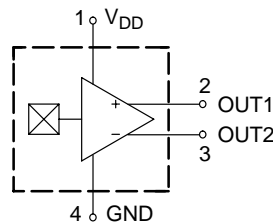


Example: **HAL400S-E**

- Type: 400
- Package: SOT-89A
- Temperature Range:  $T_J = -40$  °C to  $+100$  °C

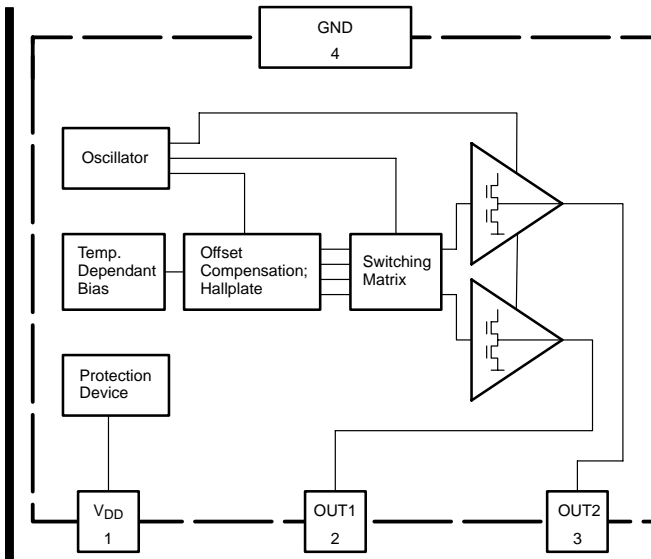
**Solderability**

- Package SOT-89A: according to IEC68-2-58



**Fig. 1:** Pin configuration

**Functional Description**



**Fig. 2:** Block diagram of the HAL 400 (top view)

The Linear Hall Sensor measures accurate constant and low frequency magnetic flux densities. The differential output voltage is proportional to the magnetic flux density passing vertically through the sensitive area of the chip. The common mode voltage (average of the voltages on pin 2 and pin 3) of the differential output amplifier is a constant 2.2 V.

The differential output voltage consists of two components due to the switching offset compensation technique. The average of the differential output voltage represents the magnetic flux density. This component is overlaid by an differential AC signal at a typical frequency of 147 kHz. The AC signal represents the internal offset voltages of amplifiers and hall plates, that are influenced by mechanical stress and temperature cycling.

External filtering or integrating measurement can be done to eliminate the AC component of the signal. So the influence of mechanical stress and temperature cycling is suppressed. No adjustment of magnetic offset is needed.

The sensitivity is stabilized over a wide range of temperature and supply voltage due to internal voltage regulation and circuits for temperature compensation.

**Offset Compensation (see Fig. 3)**

The Hall Offset Voltage is the residual voltage measured in absence of a magnetic field (zero-field residual voltage). This voltage is caused by mechanical stress and can be modeled by a displacement of the connections for voltage measurement and/or current supply.

Compensation of this kind of offset is done by cyclic commutating the connections for current flow and voltage measurement.

– First cycle:

The hall supply current flows between the points 4 and 2. In the absence of a magnetic field  $V_{13}$  is the Hall Offset Voltage ( $+V_{Offs}$ ). In case of a magnetic field,  $V_{13}$  is the sum of the Hall voltage ( $V_H$ ) and  $V_{Offs}$ .  

$$V_{13} = V_H + V_{Offs}$$

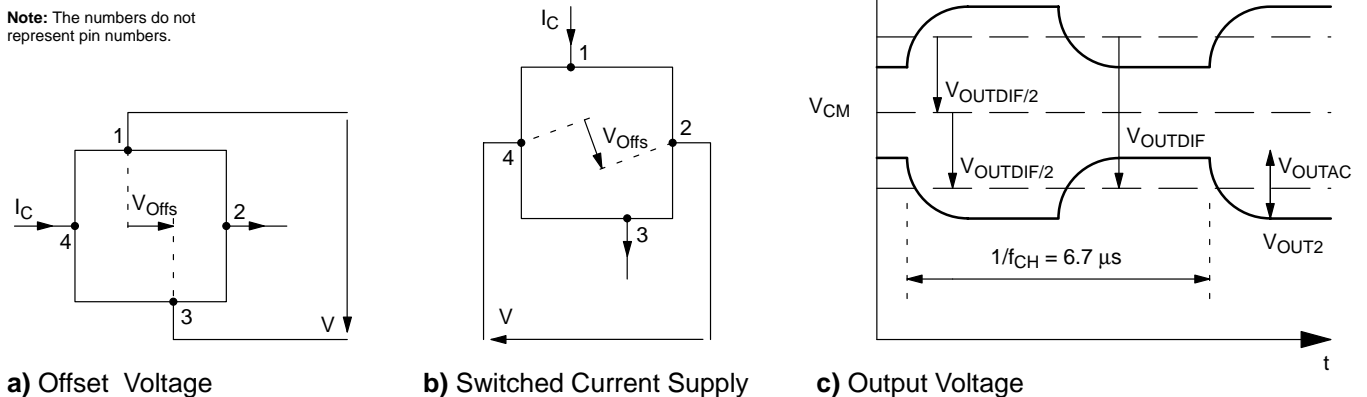
– Second cycle:

The hall supply current flows between the points 1 and 3. In the absence of a magnetic field  $V_{24}$  is the Hall Offset Voltage with negativ polarity ( $-V_{Offs}$ ). In case of a magnetic field,  $V_{24}$  is the difference of the Hall voltage ( $V_H$ ) and  $V_{Offs}$ .  

$$V_{24} = V_H - V_{Offs}$$

The output shows in the first cycle the sum of the Hall voltage and the offset, in the second the difference of both. The difference of the mean values of  $V_{OUT1}$  and  $V_{OUT2}$  ( $V_{OUTDIF}$ ) is equivalent to  $V_{Hall}$ .

**Note:** The numbers do not represent pin numbers.



**Fig. 3:** Hall Offset Compensation

Outline Dimensions

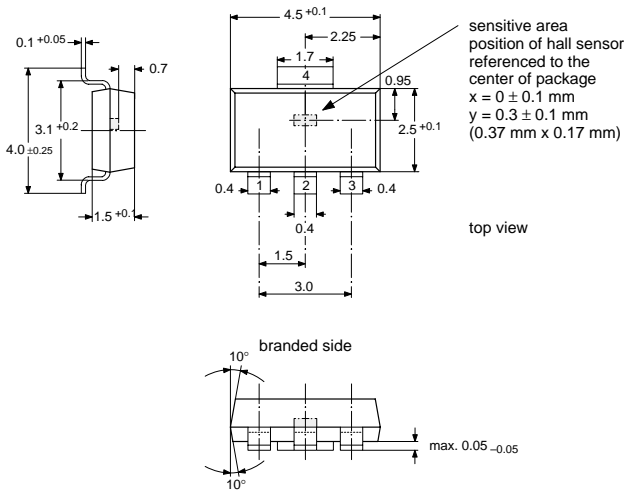


Fig. 4: Plastic Package SOT-89A

Weight approximately 0.04 g  
 Dimensions in mm

Absolute Maximum Ratings

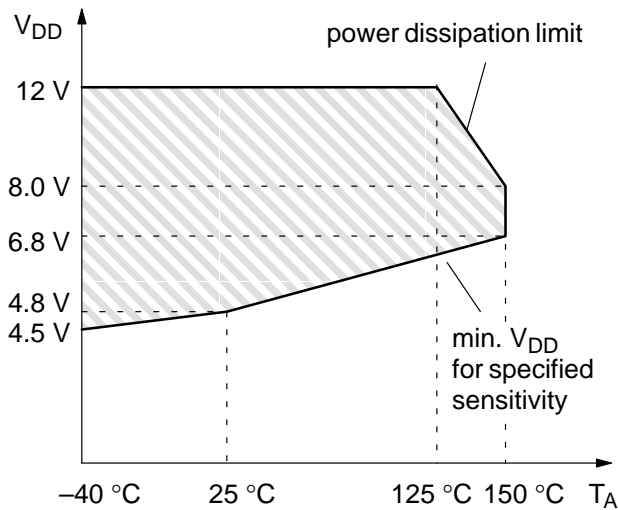
Symbol	Parameter	Pin No.	Min.	Max.	Unit
V <sub>DD</sub>	Supply Voltage	1	-15	12	V
I <sub>DDZ</sub>	Supply Current through Protection Device	1	-400 <sup>1)</sup>	400 <sup>1)</sup>	mA
I <sub>OUT</sub>	Output Current	2, 3	-5	5	mA
I <sub>OUTZ</sub>	Output Current through Protection Device	1	-300 <sup>1)</sup>	300 <sup>1)</sup>	mA
T <sub>S</sub>	Storage Temperature Range		-65	150	°C
T <sub>J</sub>	Junction Temperature Range		-40 -40	150 170 <sup>2)</sup>	°C °C

1) t ≤ 2 ms  
 2) t < 1000 h

Stresses beyond those listed in the “Absolute Maximum Ratings” may cause permanent damage to the device. This is a stress rating only. Functional operation of the device at these or any other conditions beyond those indicated in the “Recommended Operating Conditions/Characteristics” of this specification is not implied. Exposure to absolute maximum ratings conditions for extended periods may affect device reliability.

**Recommended Operating Conditions**

Symbol	Parameter	Pin No.	Min.	Max.	Unit	Remarks
$I_{OUT}$	Continuous Output Current	2, 3	-2.25	2.25	mA	$T_J = 25\text{ }^\circ\text{C}$
$I_{OUT}$	Continuous Output Current	2, 3	-1	1	mA	$T_J = 170\text{ }^\circ\text{C}$
$C_L$	Load Capacitance	2, 3	-	1	nF	



**Fig. 5:** Recommended Operating Supply Voltage

**Extended Operational Range**

Within the extended operating range, the ICs operate as mentioned in the functional description. The functionality has been tested on samples, whereby the characteristics may lie outside the specified limits.

Symbol	Parameter	Pin No.	Min.	Max.	Unit	Remarks
$V_{DD}$	Supply Voltage	1	4.3	12	V	
$I_{OUT}$	Output Current	2,3	-3	3	mA	$T_J = -40\text{ }^\circ\text{C to } +170\text{ }^\circ\text{C}$

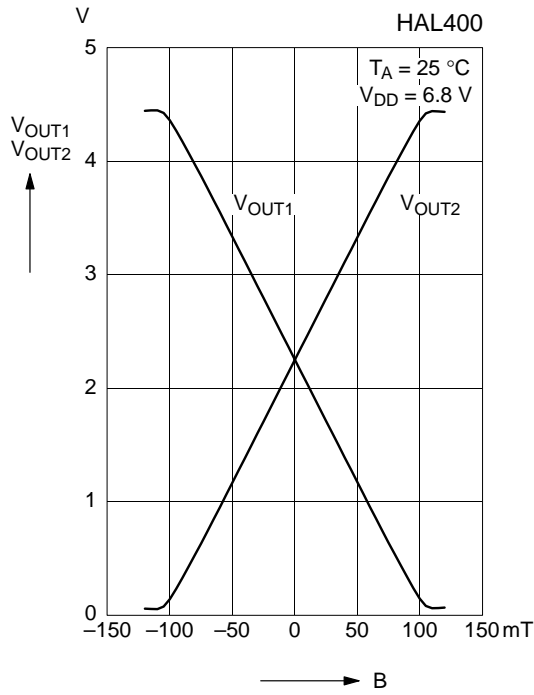
## Electrical and Magnetic Characteristics

see Fig. 5 for  $T_A$  and  $V_{DD}$  as not otherwise specified; Typical characteristics for  $T_J = 25\text{ }^\circ\text{C}$ ,  $-75\text{ mT} < B < 75\text{ mT}$  and  $V_{DD} = 6.8\text{ V}$

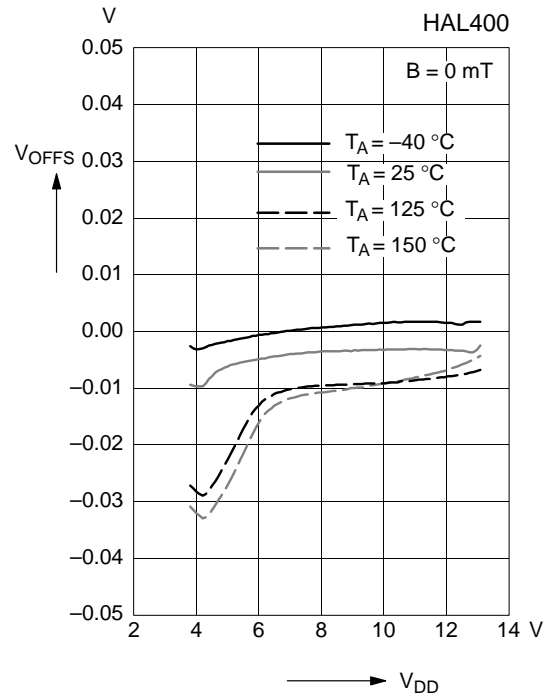
Symbol	Parameter	Pin No.	Min.	Typ.	Max.	Unit	Test Conditions
$I_{DD}$	Supply Current	1	11.8	14.5	17.1	mA	$T_J = 25\text{ }^\circ\text{C}$ ; $I_{OUT1,2} = 0\text{ mA}$
$I_{DD}$	Supply Current under Recommended Operating Conditions	1	9.3	14.5	18.5	mA	$I_{OUT1,2} = 0\text{ mA}$
$V_{CM}$	Common Mode Output Voltage	2, 3	2.1	2.2	2.3	V	$I_{OUT1,2} = 0\text{ mA}$ $V_{CM} = (V_{OUT1} + V_{OUT2}) / 2$
CMRR	Common Mode Rejection Ratio	2, 3	-2	0	2	mV/V	$I_{OUT1,2} = 0\text{ mA}$ CMRR is limited by the influence of power dissipation
$S_B = \Delta V_{OUTDIF} / \Delta B$	Differential Magnetic Sensitivity	2-3	37	42.5	49.5	mV/mT	$B = \pm 60\text{ mT}$ ; $T_J = 25\text{ }^\circ\text{C}$ $V_{OUTDIF} = V_{OUT1} - V_{OUT2}$
$S_B$	Differential Magnetic Sensitivity under Recommended Operating Conditions	2-3	33	42.5	49.5	mV/mT	$B = \pm 60\text{ mT}$ $V_{OUTDIF} = V_{OUT1} - V_{OUT2}$
$B_{offset}$	Magnetic Offset	2-3	-1.0	-0.2	1.0	mT	$B = 0\text{ mT}$ , $I_{OUT1,2} = 0\text{ mA}$ $T_J = 25\text{ }^\circ\text{C}$
$B_{offset}$	Magnetic Offset over Temperature	2-3	-1.25	-0.2	1.25	mT	$B = 0\text{ mT}$ , $I_{OUT1,2} = 0\text{ mA}$
$\Delta B_{OFFSET} / \Delta T$	Magnetic Offset Change due to $T_A$		-15	0	15	$\mu\text{T/K}$	$B = 0\text{ mT}$ , $I_{OUT1,2} = 0\text{ mA}$
BW	Bandwidth (-3 dB)	2-3	-	10	-	kHz	1)
$NL_{dif}$	Non Linearity of Differential Output	2-3	-	0.2	1	%	$B = \pm 40\text{ mT}$ , $B = \pm 60\text{ mT}$
$NL_{single}$	Non Linearity of Single Ended Output	2, 3	-	2	3	%	
$f_{CH}$	Chopper Frequency	2, 3	114	147	166	kHz	$T_J = 25\text{ }^\circ\text{C}$
$f_{CH}$	Chopper Frequency over Temp.	2, 3	90	147	166	kHz	
$V_{OUTACpp}$	Peak-to-Peak AC Output Voltage	2, 3	0	0.32	0.8	V	
$n_{meff}$	Magnetic RMS Differential Broadband Noise	2-3	-	10	-	$\mu\text{T}$	$BW = 10\text{ Hz to } 10\text{ kHz}$
$f_{Cflicker}$	Corner Frequency of 1/f Noise	2-3	-	10		Hz	$B = 0\text{ mT}$
$f_{Cflicker}$	Corner Frequency of 1/f Noise	2-3	-	100		Hz	$B = 65\text{ mT}$
$R_{OUT}$	Output Resistance	2, 3	0	30	50	$\Omega$	$I_{OUT1,2} \leq 2.5\text{ mA}$ ; $T_J = 25\text{ }^\circ\text{C}$ $V_{DD} = 6.8\text{ V}$
$R_{OUT}$	Output Resistance over Temperature	2, 3	0	30	150	$\Omega$	$I_{OUT1,2} \leq 2.5\text{ mA}$
$R_{thJSB case}$	Thermal Resistance Junction to Substrate Backside		-	150	200	K/W	Fiberglass Substrate 30 mm x 10 mm x 1.5 mm pad size see Fig. 6

1) with external 2 pole filter ( $f_{3db} = 5\text{ kHz}$ ),  $V_{OUTAC}$  is reduced to less than 1 mV

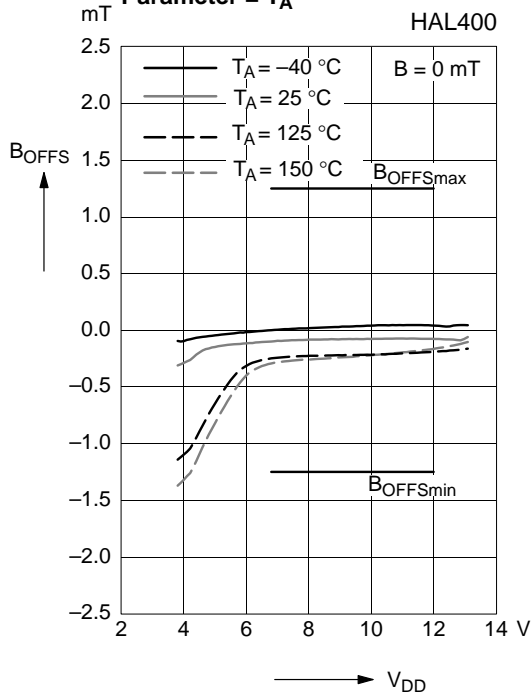
**Typical output voltages versus magnetic flux density**



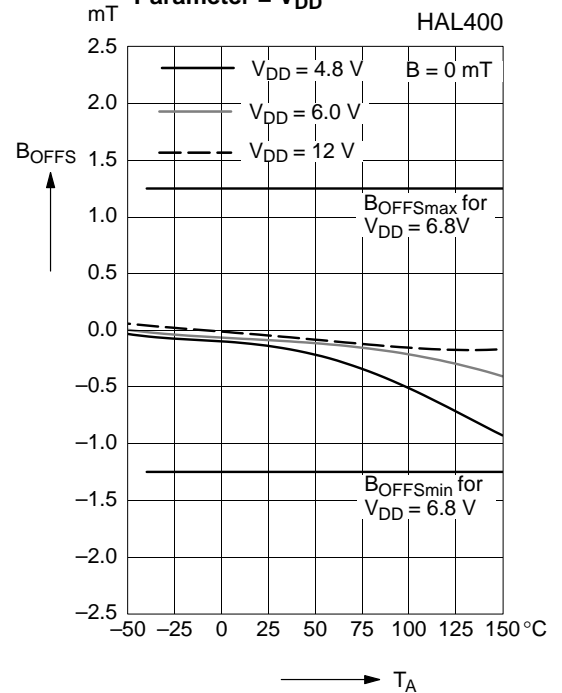
**Typical differential output offset voltage versus supply voltage**  
 Parameter =  $T_A$

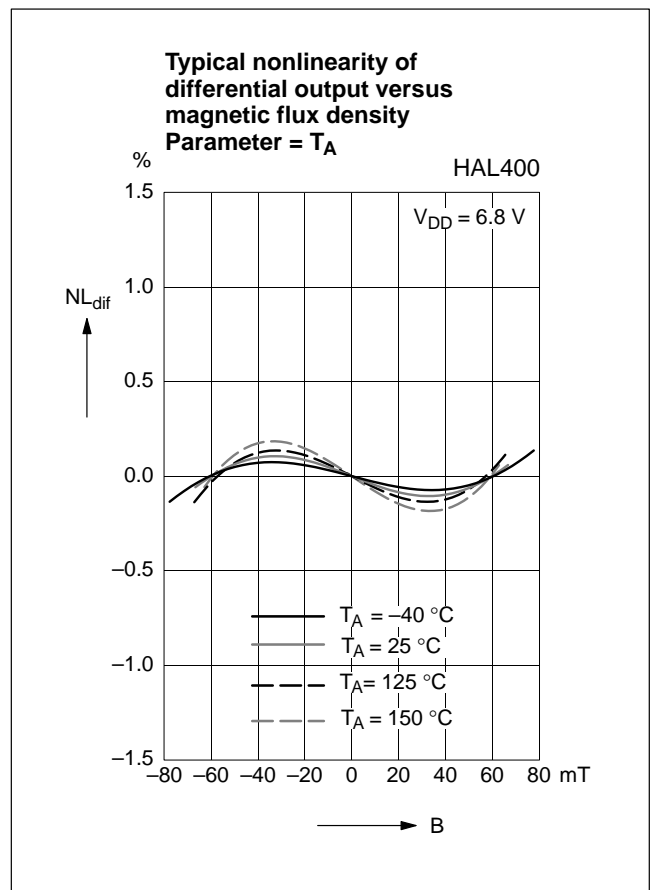
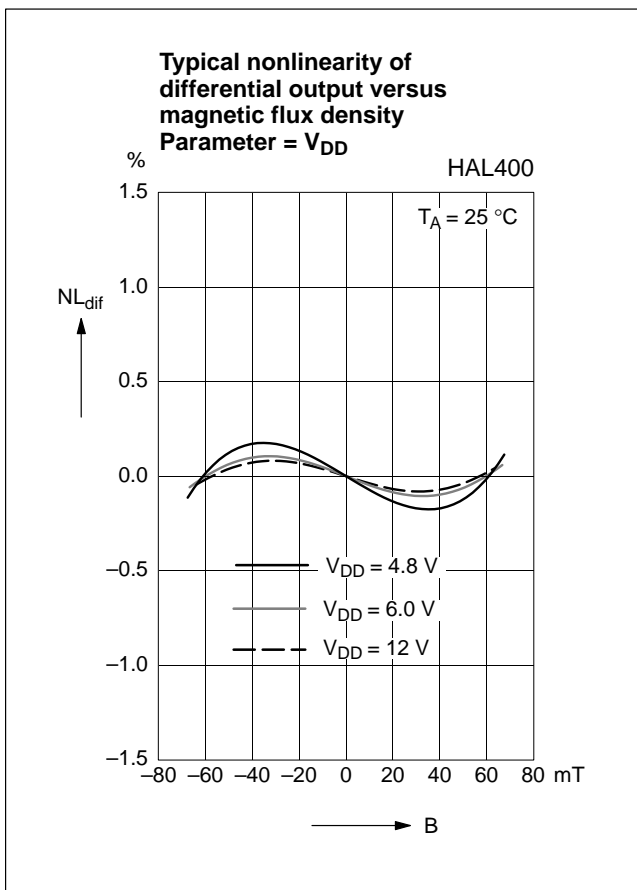
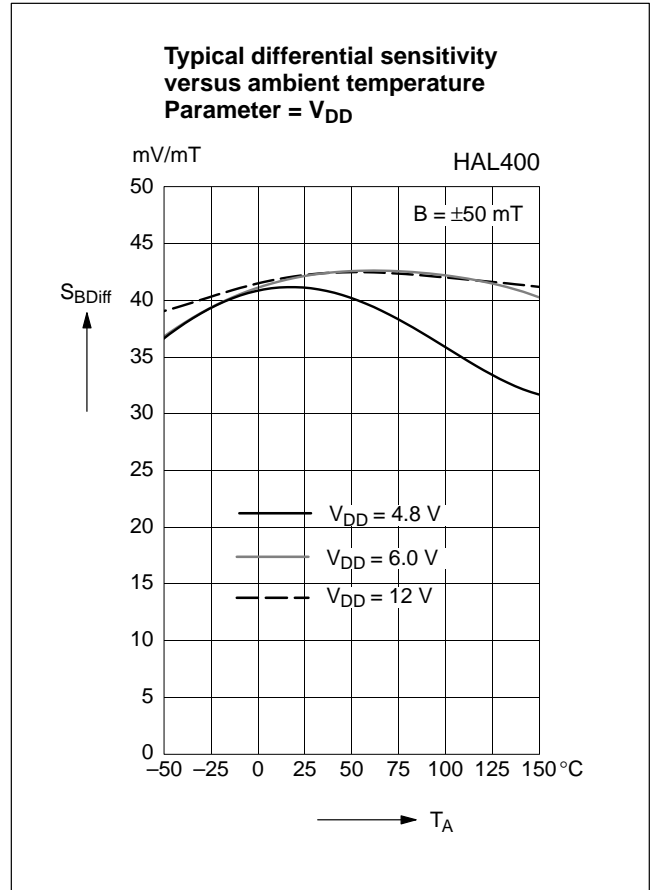
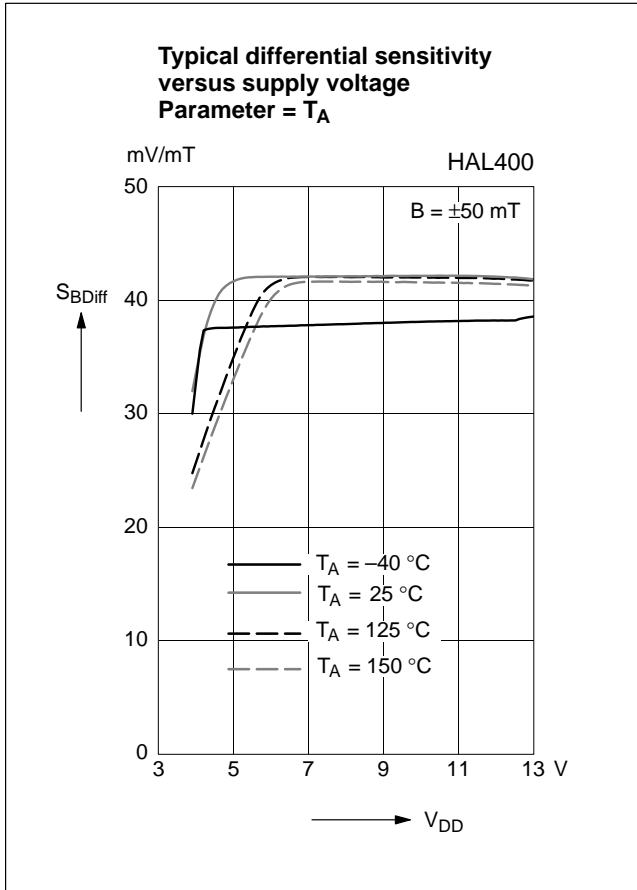


**Typical magnetic offset of differential output versus supply voltage**  
 Parameter =  $T_A$

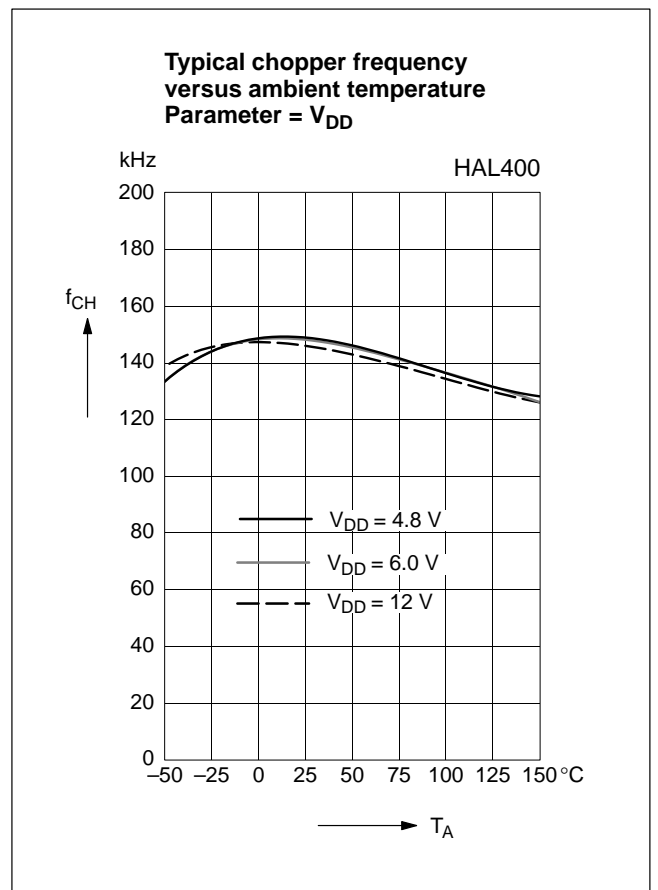
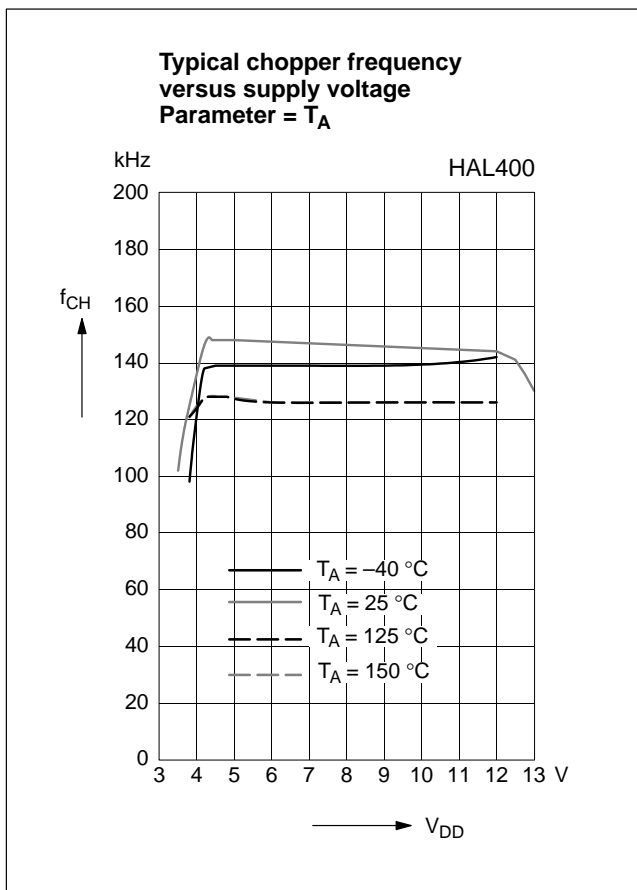
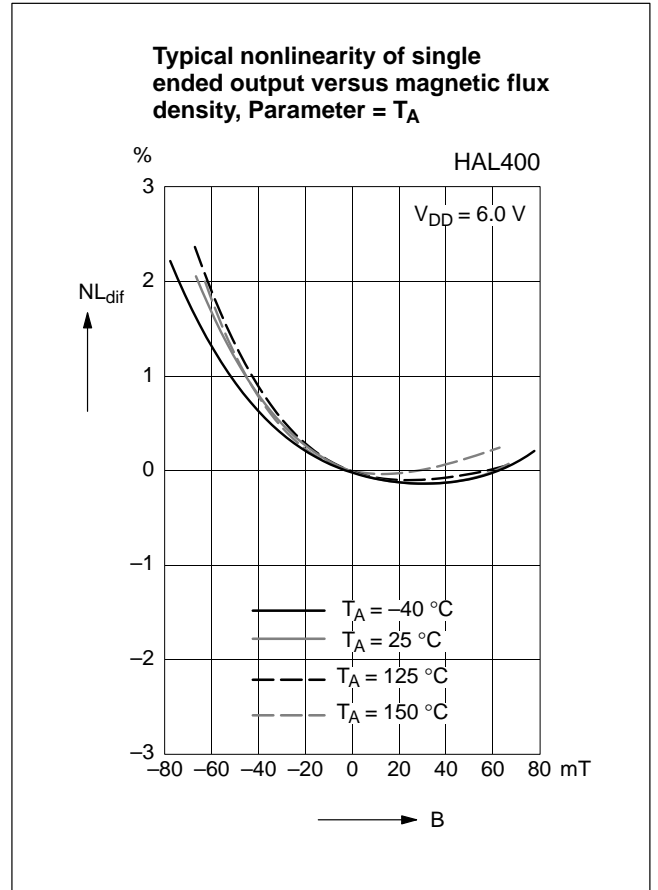
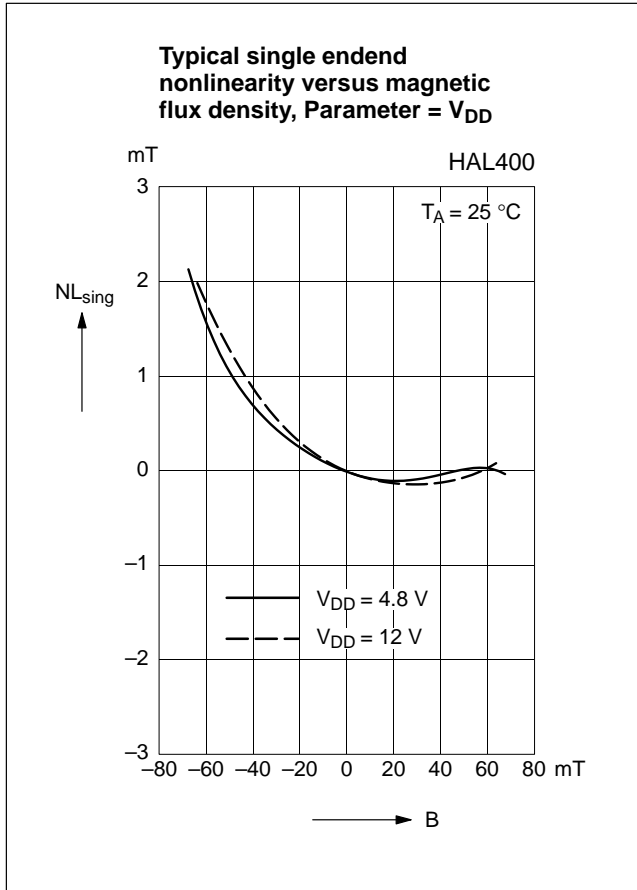


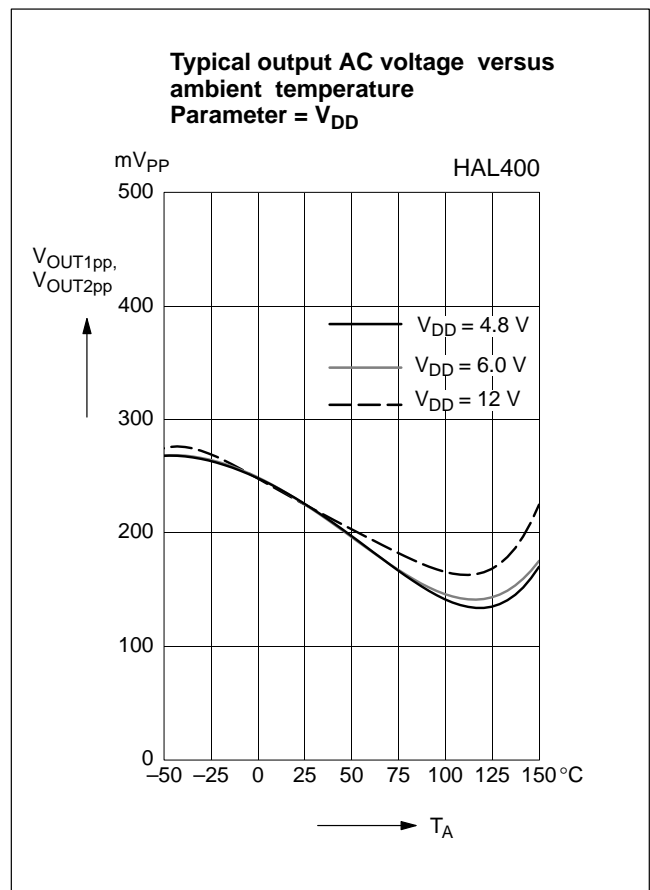
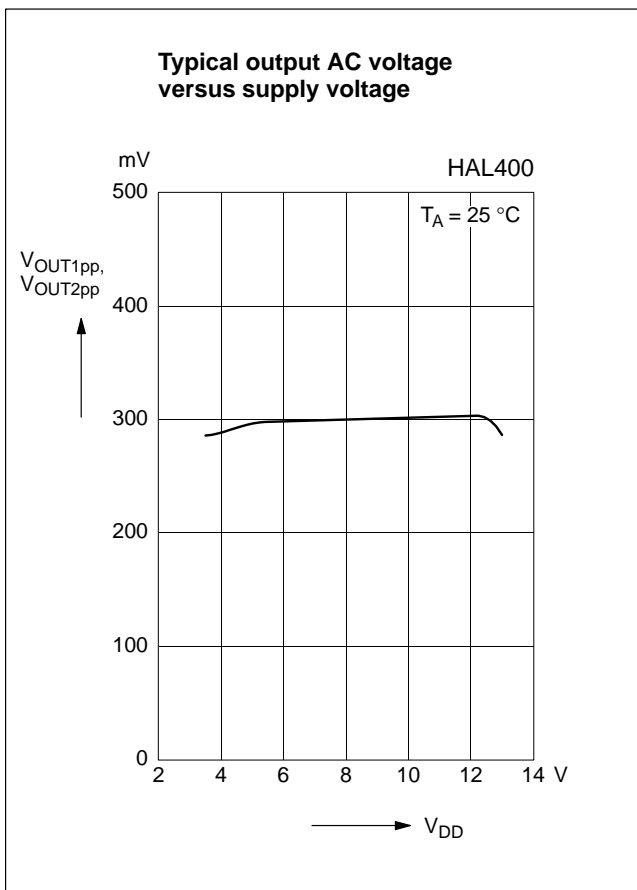
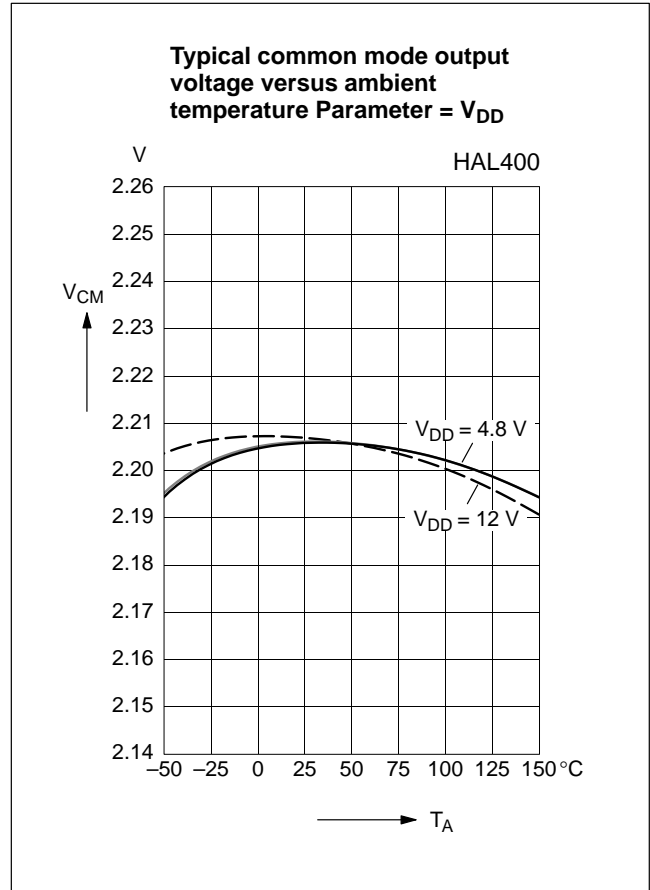
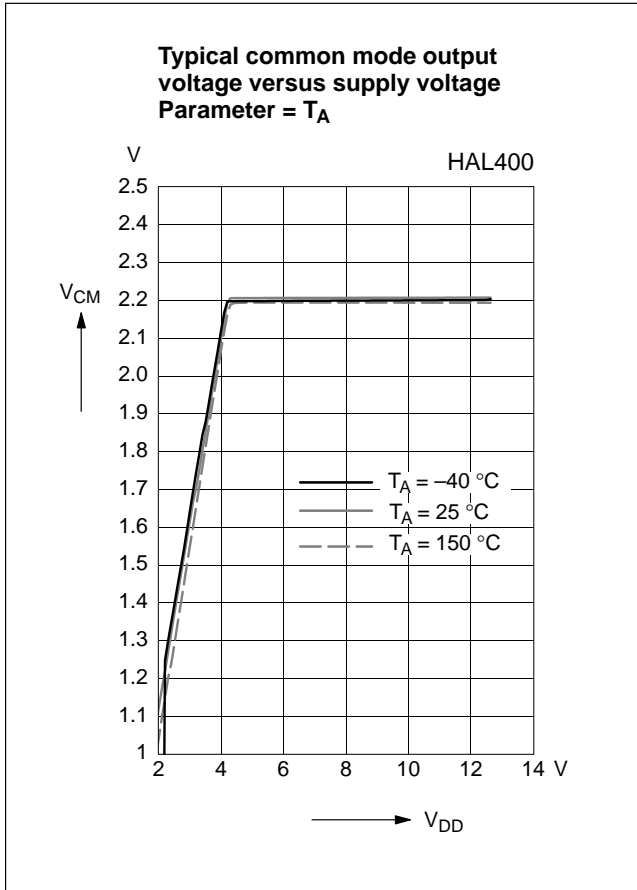
**Typical magnetic offset of differential output versus ambient temperature**  
 Parameter =  $V_{DD}$

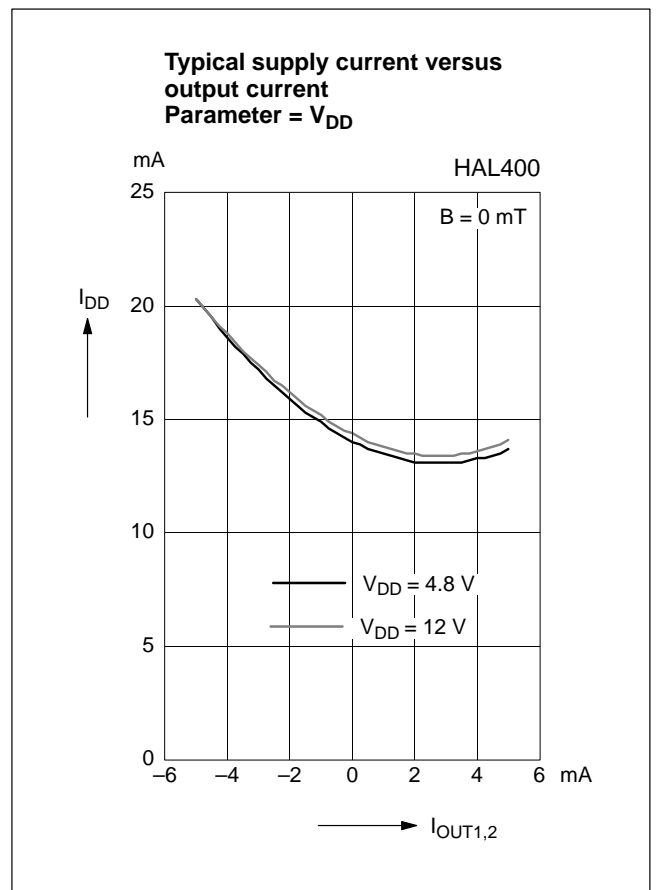
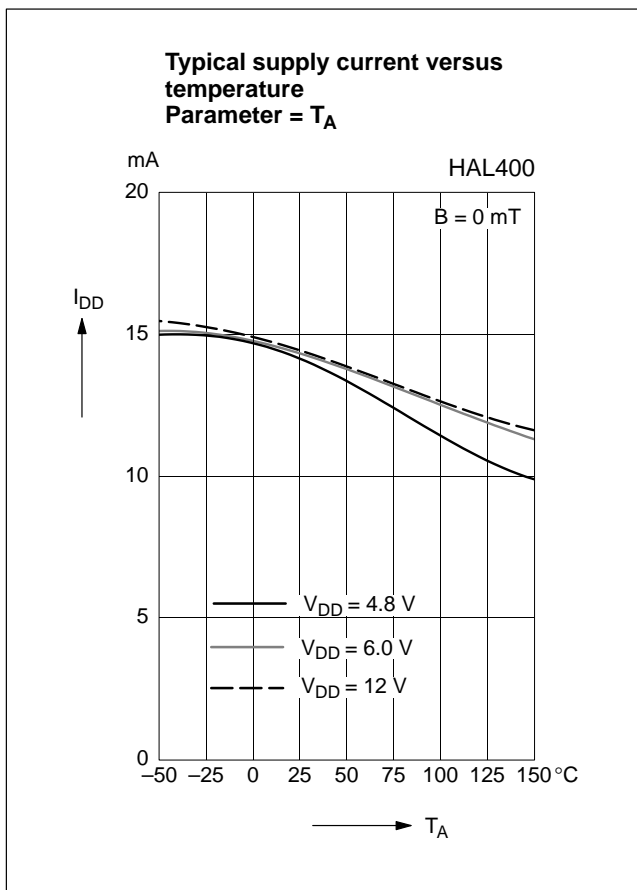
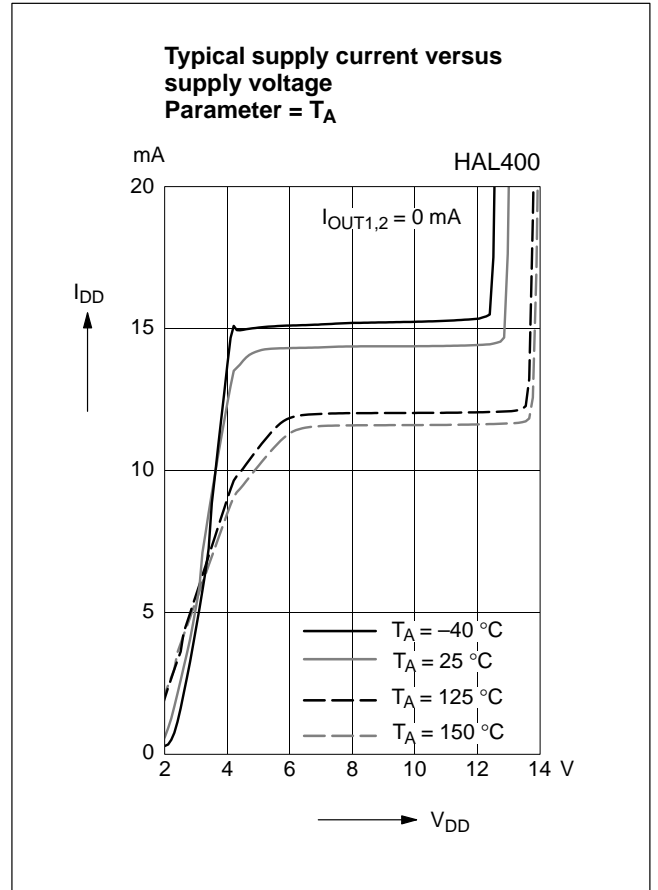
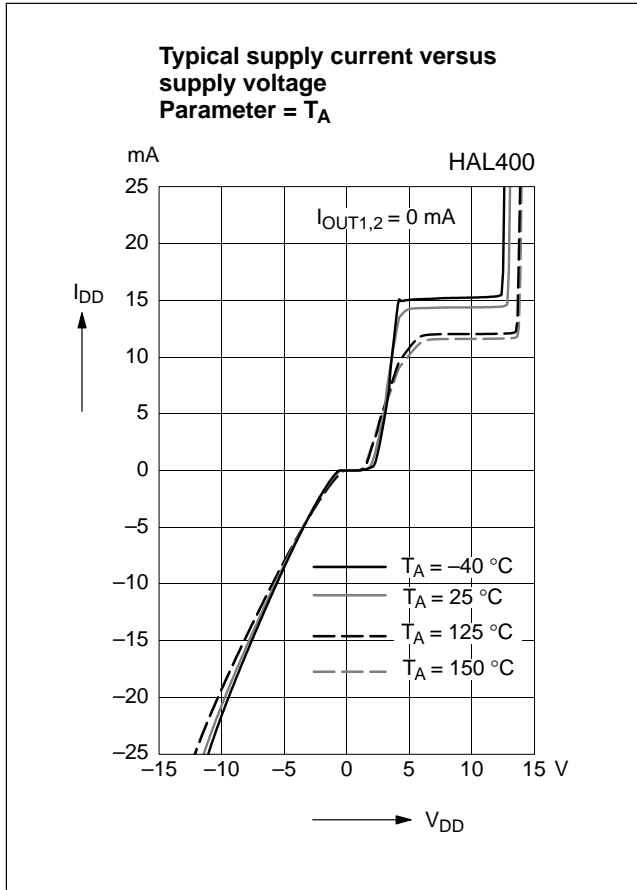


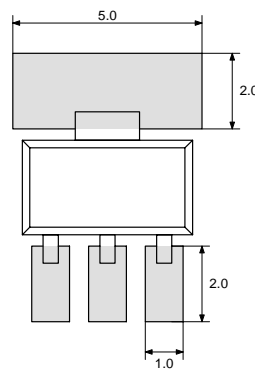
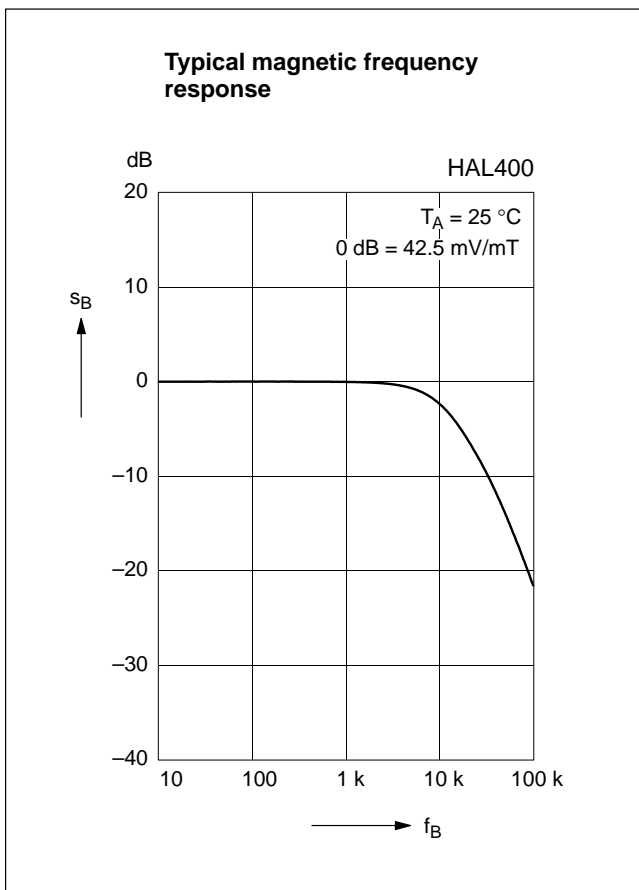
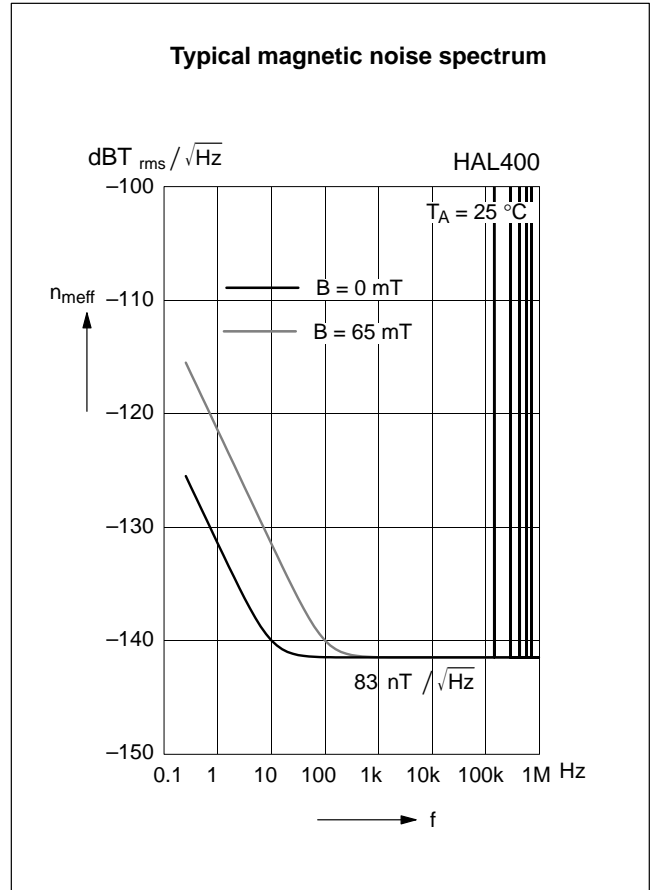
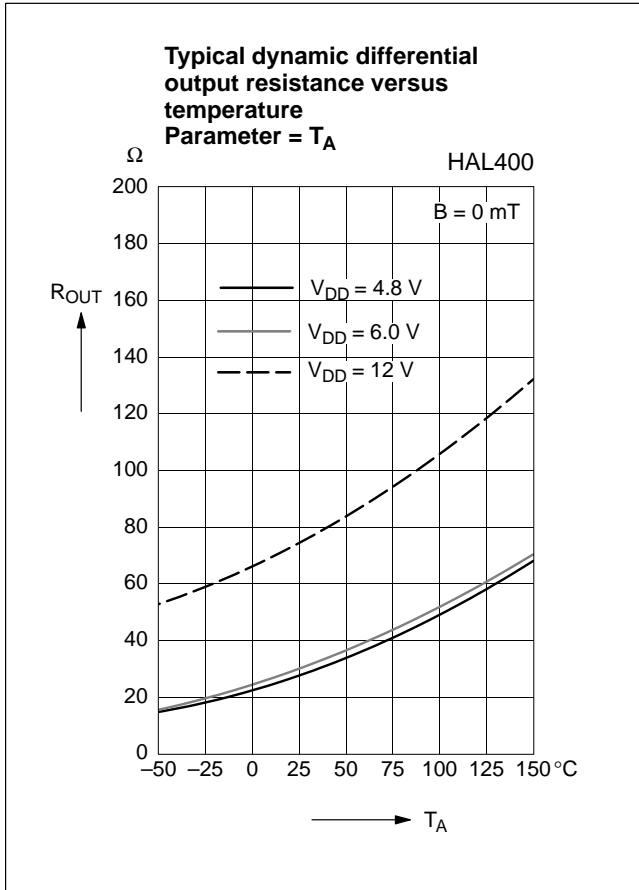








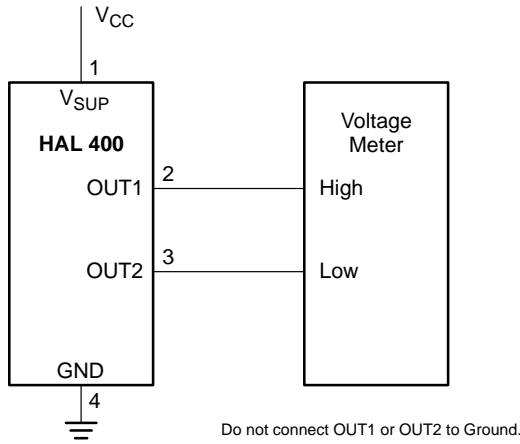




**Fig. 6:** Recommended pad size SOT-89A  
 Dimensions in mm

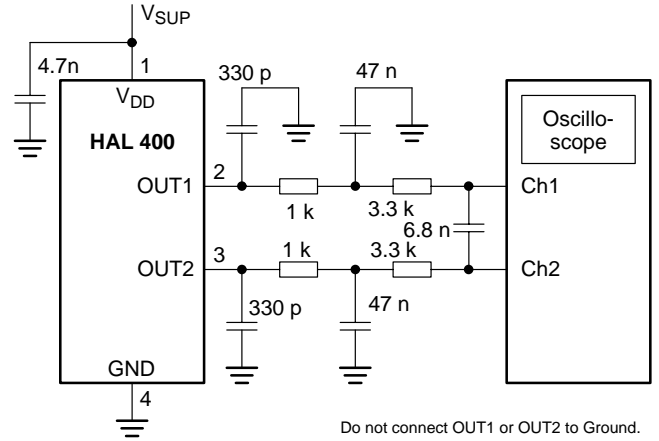
**Application Circuits**

The normal integrating characteristics of a voltmeter is sufficient for signal filtering.

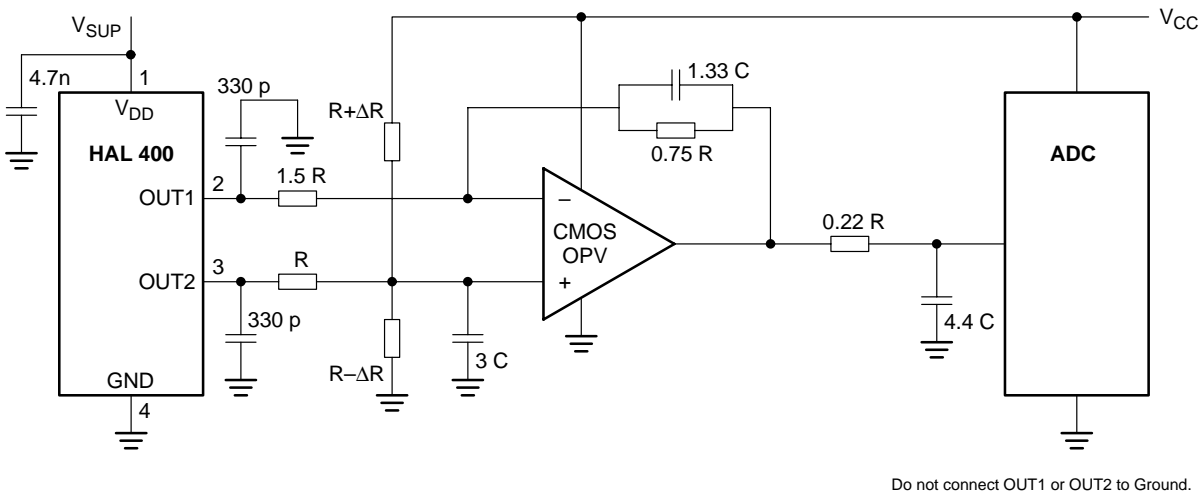


**Fig. 7:** Flux density measurement with voltmeter

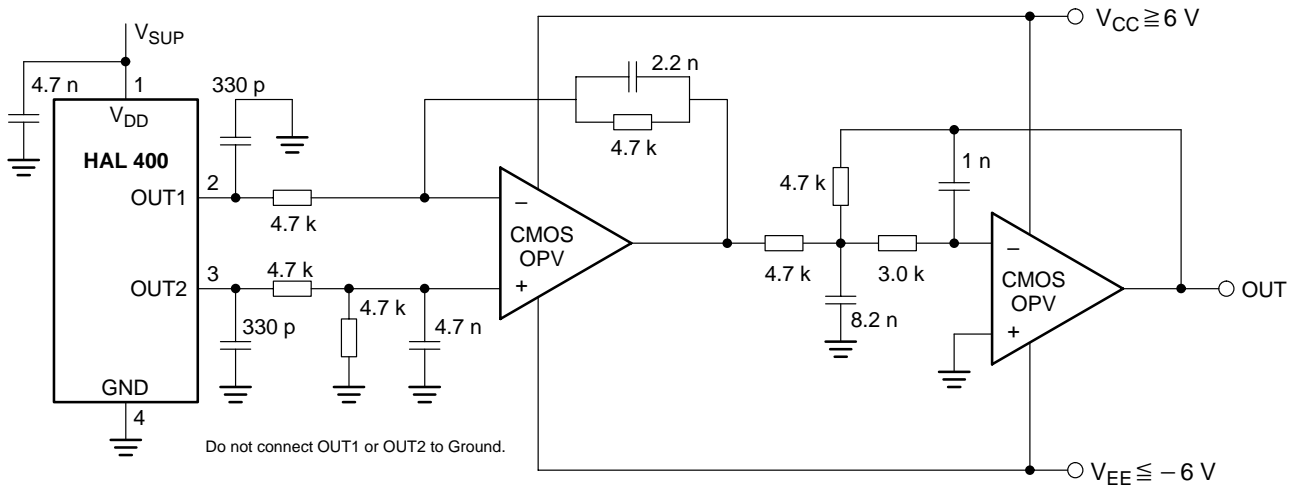
Display the difference between channel 1 and channel 2 to show the Hall voltage. Capacitors 4.7 nF and 330 pF for electromagnetic immunity are recommended.



**Fig. 8:** Filtering of output signals



**Fig. 9:** Differential HAL400 output to single-ended output  
 $R = 10 \text{ k}\Omega$ ,  $C = 7.5 \text{ nF}$ ,  $\Delta R$  for offset adjustment,  $BW_{-3\text{dB}} = 1.3 \text{ kHz}$



**Fig. 10:** Differential HAL400 output to single-ended output (referenced to ground), filter –  $BW_{-3dB} = 14.7 \text{ kHz}$



**HAL400 Documentation History**

1. Preliminary data sheet: "HAL400 Linear Hall Effect Sensor IC", March 29, 1994, 6251-346-1PD. First release of the preliminary data sheet.

2. Preliminary data sheet: "HAL400 Linear Hall Effect Sensor IC", Aug. 1, 1995, 6251-346-2PD. Second release of the preliminary data sheet.

Major changes:

– Marking code

3. Preliminary data sheet: "HAL400 Linear Hall Effect Sensor IC", Jan. 23, 1997, 6251-346-3PD. Third release of the preliminary data sheet.

Major changes:

– Electrical and Magnetic Characteristics

– diagram: Typical output voltages versus magnetic flux density

ITT Semiconductors Group  
World Headquarters  
INTERMETALL  
Hans-Bunte-Strasse 19  
D-79108 Freiburg (Germany)  
P.O. Box 840  
D-79008 Freiburg (Germany)  
Tel. +49-761-517-0  
Fax +49-761-517-2174

Printed in Germany  
by Systemdruck+Verlags-GmbH, Freiburg (1/97)  
Order No. 6251-346-3PD

Reprinting is generally permitted, indicating the source. However, our consent must be obtained in all cases. Information furnished by ITT is believed to be accurate and reliable. However, no responsibility is assumed by ITT for its use; nor for any infringements of patents or other rights of third parties which may result from its use. No license is granted by implication or otherwise under any patent or patent rights of ITT. The information and suggestions are given without obligation and cannot give rise to any liability; they do not indicate the availability of the components mentioned. Delivery of development samples does not imply any obligation of ITT to supply larger amounts of such units to a fixed term. To this effect, only written confirmation of orders will be binding.