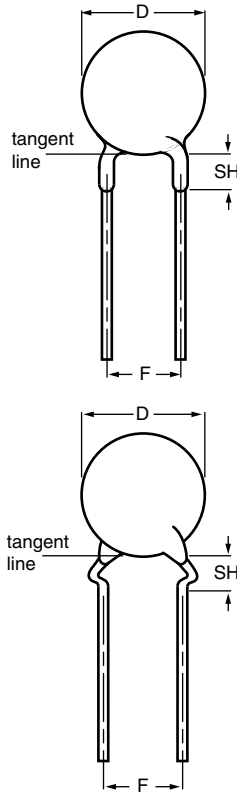


## Ceramic Disc Capacitors Class 1, 3 kV (DC)



Capacitors with 7.5 mm (0.30") and  
10 mm (0.40") lead spacing

### OPERATING TEMPERATURE RANGE

Class1 C0G; U2J, U2M - 55 °C to + 125 °C

### TEMPERATURE COEFFICIENTS

Class 1

### SECTIONAL SPECIFICATIONS

Class 1 IEC 60384-8,  
EIA 198

### CLIMATIC CATEGORY

Class 1 C0G; U2J, U2M 55/125/21

### MARKING

Straight and kinked leaded versions are gold coloured  
Marking indicates capacitance value and tolerance in  
accordance with "EIA 198", and voltage.

### FEATURES

- Low losses
- High stability
- High capacitance in small size
- Kinked (preferred) or straight leads
- Lead (Pb)-free available



**RoHS**  
COMPLIANT

### APPLICATIONS

- DC high voltage
- Pulse high voltage
- LCD backlight inverter

### DESIGN

The capacitors consist of a ceramic disc both sides of which are silver-plated. Connection leads are made of tinned copper having a diameter of 0.6 mm or 0.8 mm.

The capacitors may be supplied with kinked or straight leads with a lead spacing of 7.5 mm (0.300") or 10 mm (0.400") and a lead length from 4 mm to 30 mm. The standard tolerance on capacitance is  $\pm 5\%$  or  $\pm 10\%$  for class 1 capacitors. Encapsulation is made of gold-colored epoxy-resin, flammable resistant in accordance with "UL94V-0".

### CAPACITANCE RANGE

Class 1, at 1 MHz, 1.2  $V_{RMS}$ ; 2 pF to 220 pF

### RATED DC VOLTAGE

3 kV

### DIELECTRIC STRENGTH

According to IEC 384-8,  $1.5 \times U_R + 500 V_{DC}$  (5  $kV_{DC}$ )

### INSULATION RESISTANCE AT 500 $V_{DC}$

$\geq 10\,000 M\Omega$

### TOLERANCE ON CAPACITANCE

$\pm 5\%$ ;  $\pm 10\%$ ;

Other tolerances available on request

### DISSIPATION FACTOR

$C \leq 5\text{ pF}$ , 0.55 % max.

$10\text{ pF} \leq C < 33\text{ pF}$ ,  $20 \times (150/C + 7) \times 10^{-4}$

$C \geq 33\text{ pF}$ ; 0.20 % max.



ORDERING INFORMATION, 3 kV <sub>DC</sub> , KINKED						
C (pF)	TOL. (%)	D <sub>max.</sub> (mm)	LEAD SPACING F (mm)	SH/DR <sub>max.</sub> <sup>(1)</sup> (mm)	CLEAR TEXT CODE	
					13 <sup>th</sup> DIGIT: T = REEL; U = AMMO; 3 = BULK	
<b>CLASS 1</b>						
2	± 0.25	6.5	7.5	4.0	S209C25C0KR6.K7R	
3					S309C25C0JR6.K7R	
4.9	± 0.50				S499D25C0HR6.K7R	
10					S100J25U2JR6.K7R	
15	± 5				S150J25U2JR6.K7R	
22					S220J25U2MR6.K7R	
33					S330J25U2MR6.K7R	
47					7.5	S470J29U2MR6.K7R
68					8.0	S680J31U2MR6.K7R
100					9.0	S101J35U2MR6.K7R
120		10.0	S121J39U2MR6.K7R			
150		10.5	S151J41U2MR6.K7R			
180		12.5	S181J49U2MR6.K7R			
220			S221J49U2MR6.K7R			

**Notes**

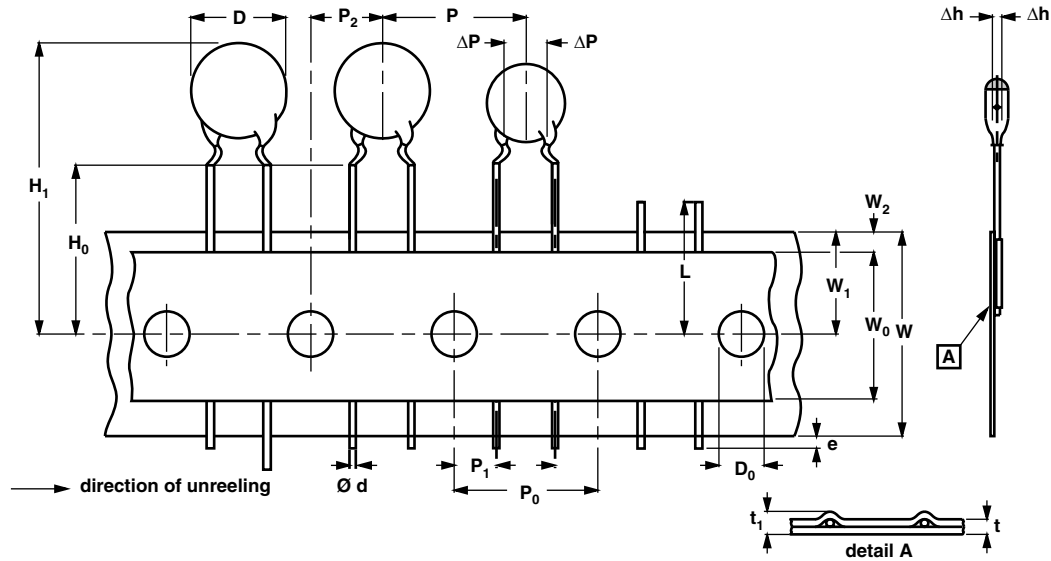
<sup>(1)</sup>SH = Seated height

- Maximum thickness 5.0 mm
- Refer to outward kinked leads. Other styles available on request (straight or inline kinked leads).

PACKAGING					
PACKAGING TYPE	SIZE CODE	LEAD SPACE (mm)	VOLTAGE (V <sub>DC</sub> )	SPQ	BOX DIMENSIONS L x W x H (mm)
Bulk (long lead L ≥ 25.4 mm)	20 to 47	≥ 7.5	3 kV	1000	245 x 120 x 65
				1000	
	1000				
	500				
250					
Tape and reel	≤ 47			1000	
Ammopack	≤ 47	1500	360 x 330 x 55		

**Note**

- The capacitors are supplied in bulk packaging (cardboard boxes), in tape on reel or in ammpack



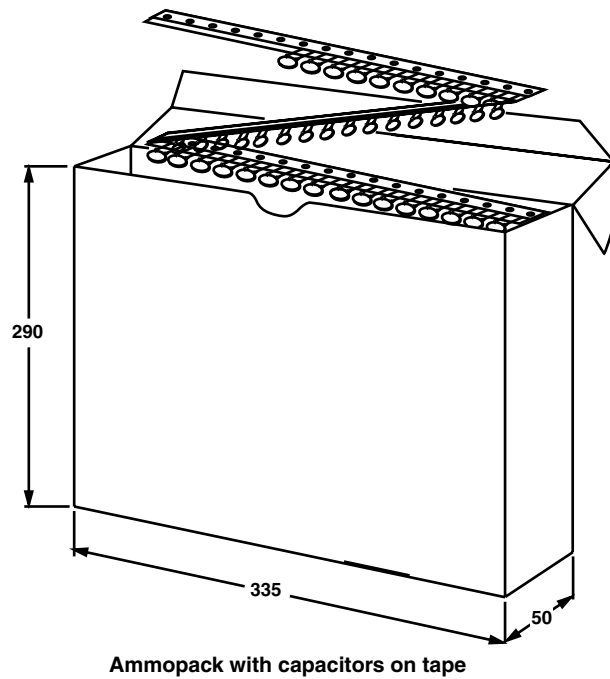
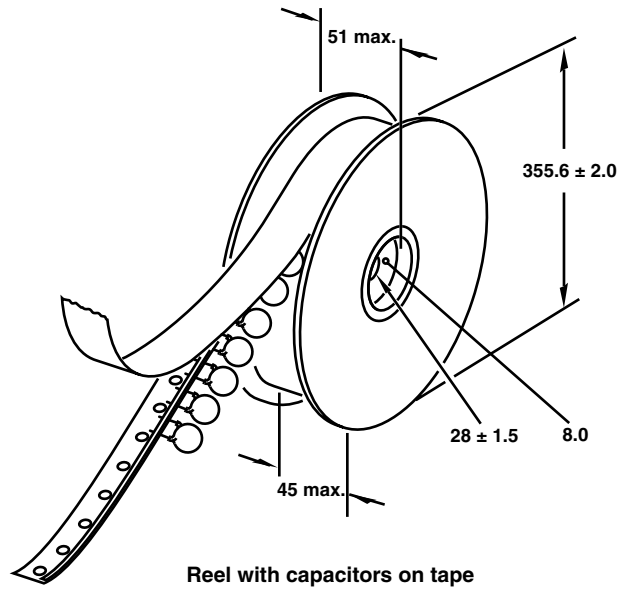
Kinked capacitors on tape, lead spacing 5.0 mm (0.2"), on tape

DIMENSIONS OF TAPE			
SYMBOL	PARAMETER	DIMENSIONS (mm)	
		NOMINAL	TOLERANCE
D	Body diameter	14.0 max.	-
d	Lead diameter	0.6	± 0.05
P	Pitch between capacitors	15	± 1.0
P <sub>0</sub>	Feed-hole pitch	15	± 0.3 <sup>(1)</sup>
ΔP	Plane deviation	1.0 max.	-
P <sub>1</sub>	Feed-hole centre to lead centre	3.75	± 0.7 <sup>(2)</sup>
P <sub>2</sub>	Feed-hole centre to component centre	7.5	± 1.3 <sup>(2)</sup>
F	Lead spacing	7.5	+ 0.6/- 0.4
Δh	Component alignment	0	± 1.0
W	Tape width	18.0	+ 1.0 - 0.5
W <sub>0</sub>	Hold-down tape width	5.0 min.	-
W <sub>1</sub>	Hole position	9.0	+ 0.75 - 0.5
W <sub>2</sub>	Hold-down tape margin	3.0 max.	-
H <sub>0</sub>	Height to seating plane	16.0	± 0.5
H <sub>1</sub>	Maximum component height	40	-
e	Lead end protrusion	1.0 max.	-
L	Maximum length of snapped lead	11.0	-
D <sub>0</sub>	Feed-hole diameter	4.0	± 0.2
t	Total tape thickness	0.9 max.	-
t <sub>1</sub>	Maximum thickness of tape and wires	1.5 max.	-

**Notes**
<sup>(1)</sup> Cumulative pitch error: ± ≤ 1 mm/20 pitches

<sup>(2)</sup> Obliquity maximum 3°

## REEL AND TAPE DATA in millimeters





## Disclaimer

All product specifications and data are subject to change without notice.

Vishay Intertechnology, Inc., its affiliates, agents, and employees, and all persons acting on its or their behalf (collectively, "Vishay"), disclaim any and all liability for any errors, inaccuracies or incompleteness contained herein or in any other disclosure relating to any product.

Vishay disclaims any and all liability arising out of the use or application of any product described herein or of any information provided herein to the maximum extent permitted by law. The product specifications do not expand or otherwise modify Vishay's terms and conditions of purchase, including but not limited to the warranty expressed therein, which apply to these products.

No license, express or implied, by estoppel or otherwise, to any intellectual property rights is granted by this document or by any conduct of Vishay.

The products shown herein are not designed for use in medical, life-saving, or life-sustaining applications unless otherwise expressly indicated. Customers using or selling Vishay products not expressly indicated for use in such applications do so entirely at their own risk and agree to fully indemnify Vishay for any damages arising or resulting from such use or sale. Please contact authorized Vishay personnel to obtain written terms and conditions regarding products designed for such applications.

Product names and markings noted herein may be trademarks of their respective owners.