



CONNOR-WINFIELD CORPORATION

AURORA, IL. 60505

PHONE (630) 851-4722

FAX (630) 851-5040

ECL VCXO 16 PIN DIP OSCILLATORS

EDV

*

*

*

*

ECL Series

add number for Temp Range

add number for Freq stability

Min. Total Deviation

add number for Supply Voltage

add number for Pin Connections

FREQUENCY RANGE: 20MHz to 210MHz

ECL SERIES

Output Waveform	ECL Squarewave, 10K and 100K Compatible
Output Voltage	Voh -1.04 Minimum, -0.95 Typical, -0.85 Maximum
	Vol -1.90 Minimum, -1.80 Typical, -1.60 Maximum
Duty Cycle	40/60 Maximum
Rise/Fall Time	1.5nS Typ, 2.0nS Maximum
Control Voltage	0 to -5Vdc
Center Frequency	-2.5Vdc, ±25ppm
Linearity	±20% Maximum
Freq Modulation Bandwidth	DC to 20KHz Maximum

TEMPERATURE RANGE

4	-25°C to +75°C
5	0°C to +70°C
6	-40°C to +85°C

FREQUENCY STABILITY

1	±25ppm
2	±50ppm
3	±100ppm
4	±20ppm

DEVIATION (TOTAL DEVIATION: ±40ppm to ±75ppm)

080	080 = ±40ppm Minimum
100	100 = ±50ppm Minimum
120	120 = ±60ppm Minimum (Not available above 160MHz)
150	150 = ±75ppm Minimum (Not available above 160MHz)

SUPPLY VOLTAGE

1	-4.5Vdc ±5% , Current: 40mA Typical, 70mA Maximum
2	-5.0Vdc ±5% , Current: 40mA Typical, 70mA Maximum
3	-5.2Vdc ±5% , Current: 40mA Typical, 70mA Maximum

PIN CONNECTIONS

1	1 Control Voltage, 8 Vee, 9 Output, 10 COMP. OUTPUT, 16 Vcc (case gnd)
2	1 Control Voltage, 8 Vee, 9 Output, 10 GATING, 16 Vcc (case gnd)

NOTE: Add letter P to the end of model number for Positive Transfer Characteristic and positive control voltage.

EXAMPLE OF ECL-VCXO PART NUMBER

E D V 5 4 - 0 8 0 - 3 1 - 1 5 5 . 5 2 M H z

EDV = ECL Output Logic

3 = -5.2Vdc Supply Voltage

5 = 0°C to +70°C

1 = Pin 10 Comp. Output

4 = ±20ppm Freq Stability

155.52MHz = Output Frequency

080 = ±40ppm Min Deviation

Specifications subject to change without notice

BULLETIN #: VX003

REV: 05

Dimensional Tolerance: ±.02"
±.005"

PAGE 1 OF 2

DATE: 12/22/98

ISSUED BY: _____



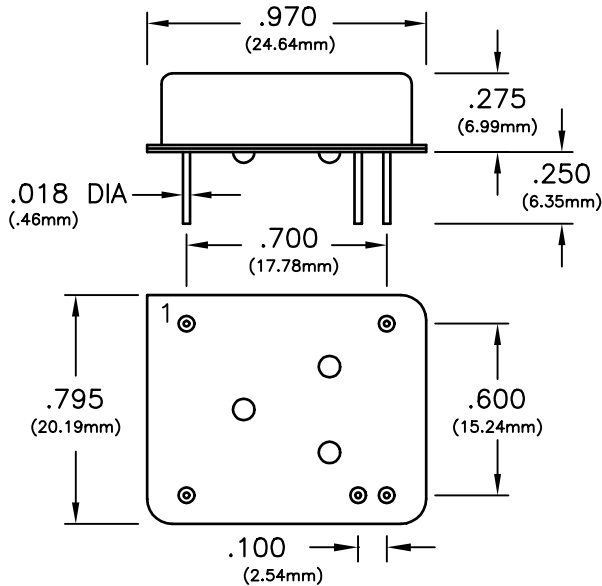
CONNOR-WINFIELD CORPORATION

AURORA, IL. 60505

PHONE (630) 851-4722

FAX (630) 851-5040

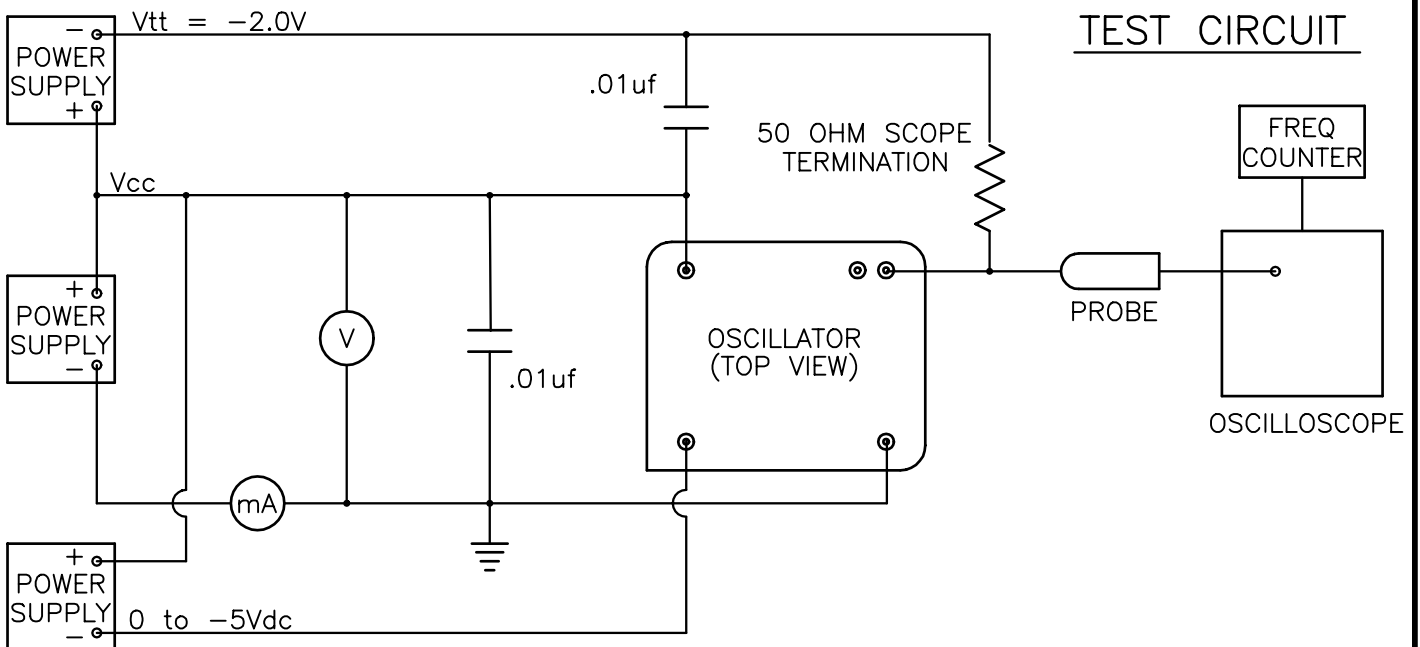
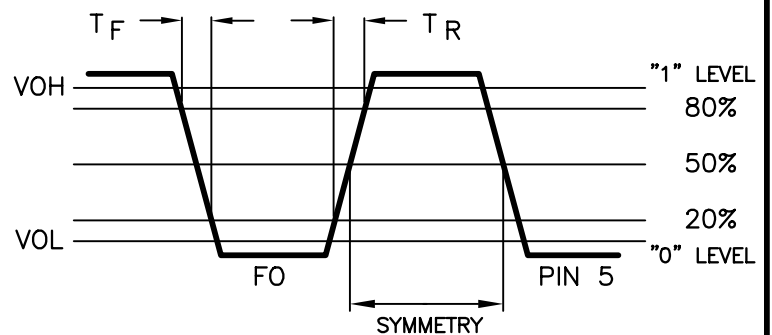
ECL VCXO 16 PIN DIP OSCILLATORS



PIN	CONNECTION
1	CONTROL VOLTAGE
8	V _{ee}
9	OUTPUT
10	\bar{Q} OUTPUT <u>or</u> GATING
16	V _{cc} (CASE GROUND)

Dimensional Tolerance: $\pm .005$

OUTPUT WAVEFORM



Specifications subject to change without notice