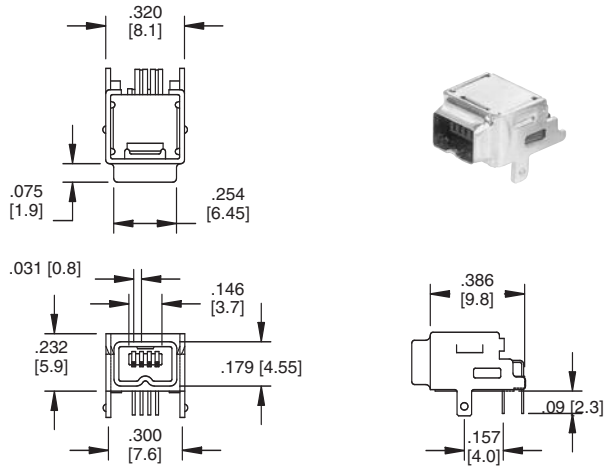
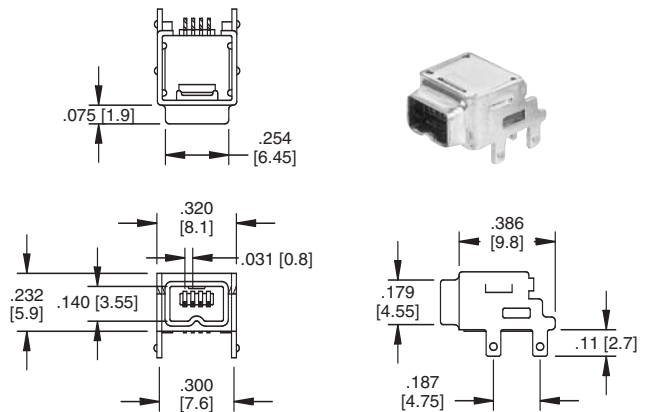


### MFW-C-S-RA-1



Recommended PCB Layout

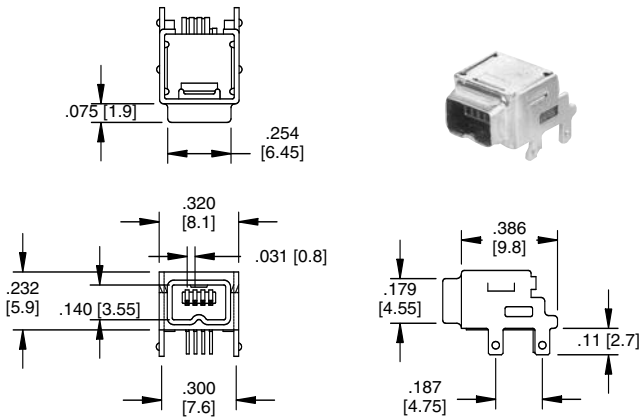
### MFW-C-S-RA-SMT-2



Recommended PCB Layout

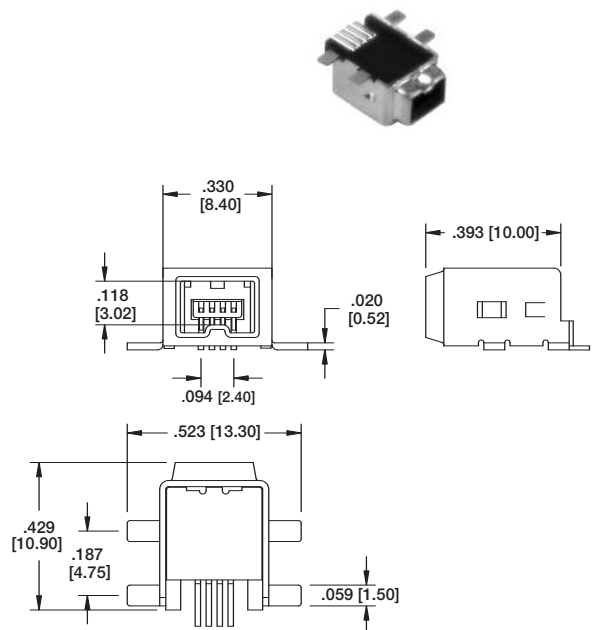
### Reverse PCB Pinout

### MFW-C-S-RA-2

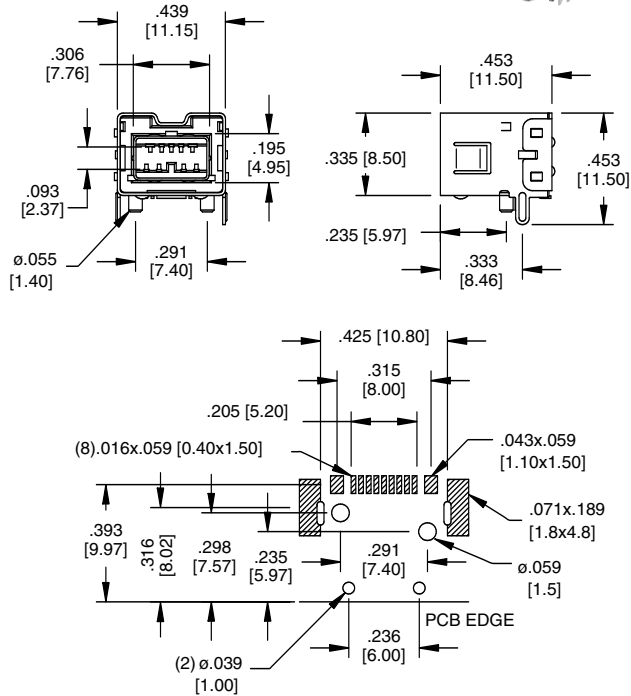


Recommended PCB Layout

### MFW-C-S-RA-TSMT

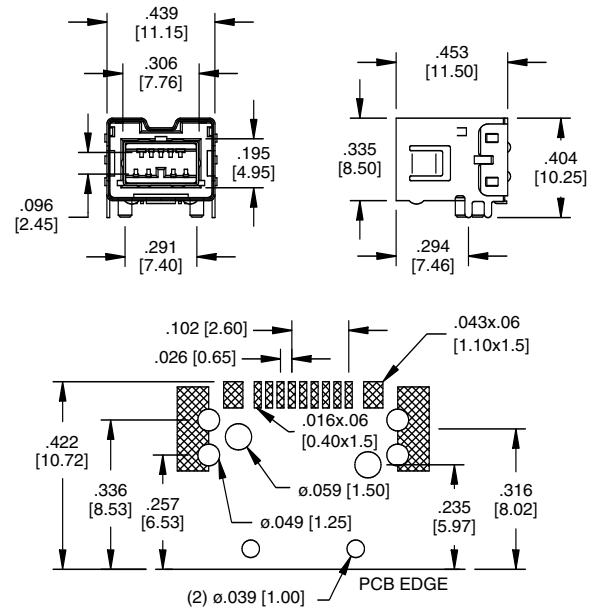


#### MFW-D-S-RA-SMT-1



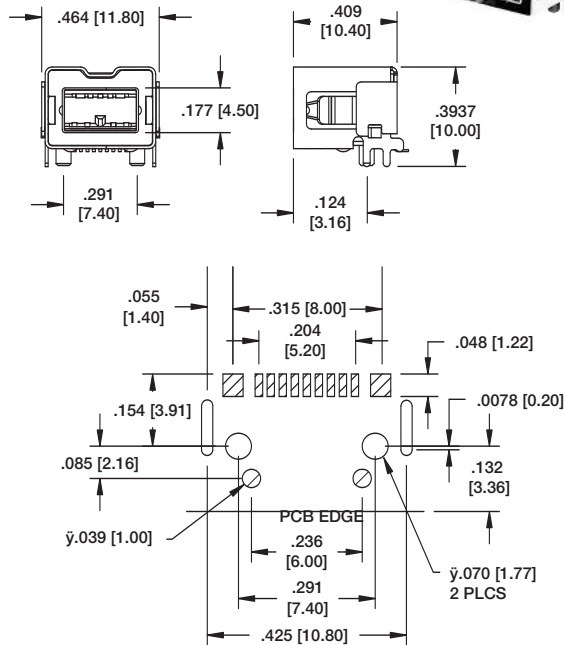
Recommended PCB Layout

#### MFW-D-S-RA-SMT-2



Recommended PCB Layout

#### MFW-D-S-RA-SMT-2A



Recommended PCB Layout  
(Bilingual)

#### MFW-P-S-S

