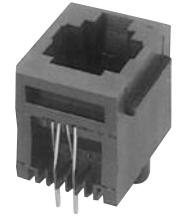
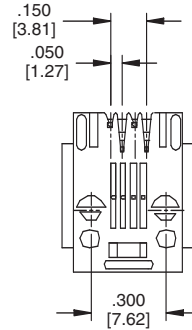
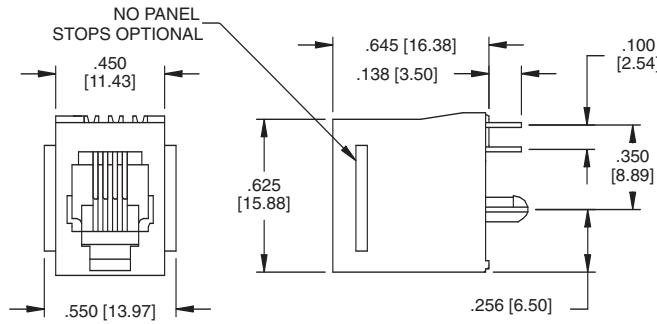


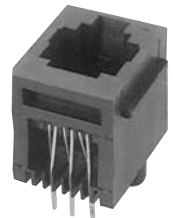
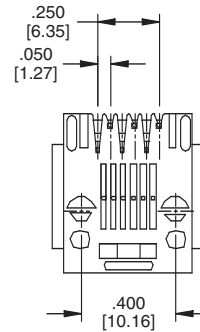
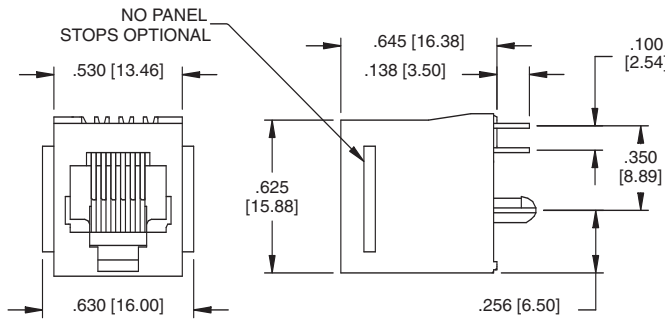
Ordering Information pg. 9

**TYPE 3**  
**4P4C**



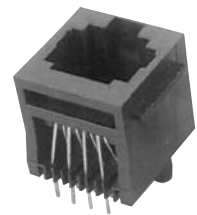
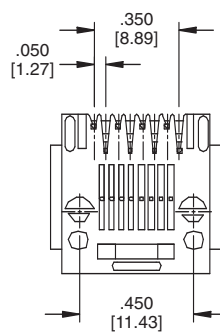
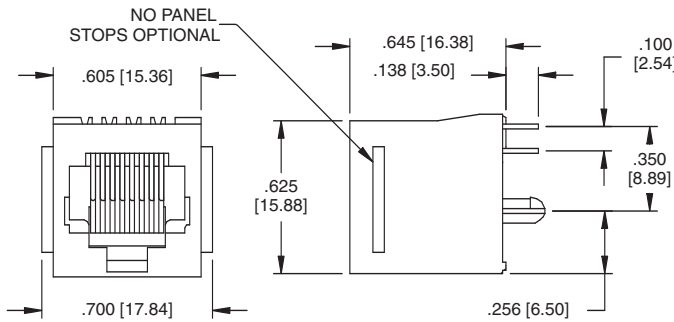
**MTJ-443X1**

**TYPE 3**  
**6P4C**  
**6P6C**



**MTJ-663X1**

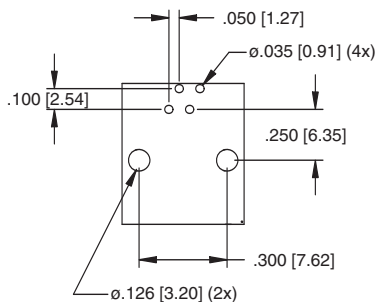
**TYPE 3**  
**8P8C**



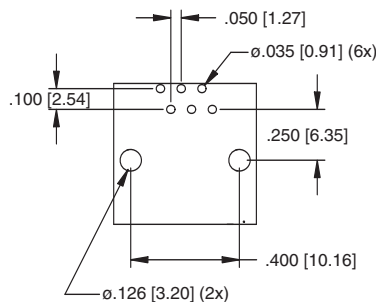
**MTJ-883X1**

Recommended PCB Layout

**4p4c**



**6p4c**  
**6p6c**



**8p8c**

