

X00040

SHA398A through SHA398C

30 AMP

HYPER FAST RECOVERY
CENTERTAP RECTIFIER

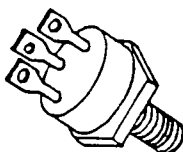
100 - 200 VOLTS

SSDI

14830 VALLEY VIEW AVE
LA MIRADA, CA 90638
TEL: (213) 921-9660
FAX: (213) 921-2396

CASE STYLE

T0-61



FEATURES

- ▶ ISOLATED PACKAGE
- ▶ HYPER FAST RECOVERY 35 ns MAX
- ▶ PIV TO 200 VOLTS
- ▶ LOW REVERSE LEAKAGE
- ▶ HERMETICALLY SEALED
- ▶ SUPERIOR THERMAL RESISTANCE
- ▶ GOLD EUTECTIC DIE ATTACH, ALUMINUM
ULTRASONIC WIRE BOND, NO SOLDER USED

MAXIMUM RATINGS

RATING	SYMBOL	VALUE	UNIT
Peak Repetitive Reverse Voltage Per Leg and DC Blocking Voltage Per Leg SHA398A SHA398B SHA398C	VRM(rep) VR	100 150 200	Volts
RMS Reverse Voltage Per Leg SHA398A SHA398B SHA398C	Vr	70 105 140	Volts
Half Wave Rectified Forward Current Averaged Over Full Cycle (Resistive Load, 60Hz, Sine Wave, TC=55°C)	IO	30	Amps
Peak Repetitive Forward Current (TC=55°C, 8.3ms Pulse, Allow Junction to Reach Equilibrium Between Pulses)	IFM(rep)	100	Amps
Peak Surge Current (TC=55°C, 8.3ms Pulse, Superimposed on Rated Current at Rated Voltage)	IFM(surge)	300	Amps
Operating and Storage Temperature	TJ, Tstg	-65 to +200	°C

THERMAL CHARACTERISTICS

CHARACTERISTIC	SYMBOL	VALUE	UNIT
Thermal Resistance, Junction to Case Both legs tied together	RθJC	1.5	°C/W

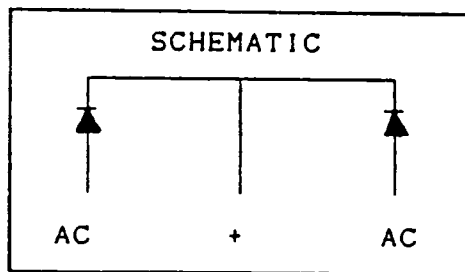
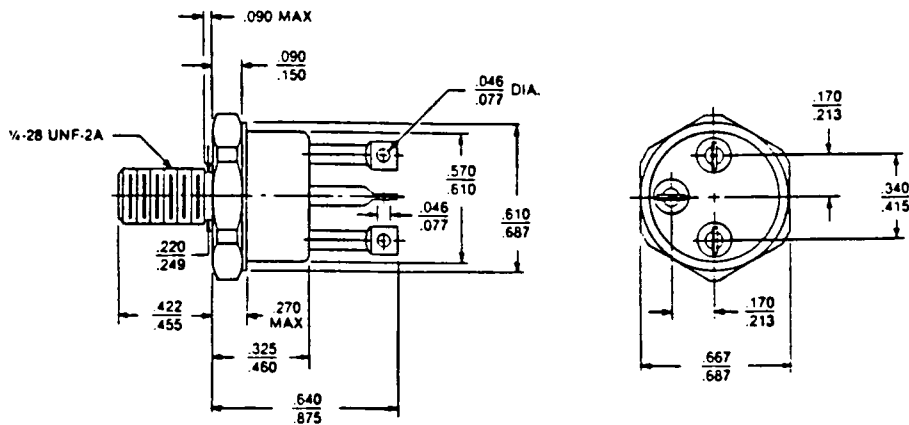
ELECTRICAL CHARACTERISTICS

CHARACTERISTIC	SYMBOL	VALUE	UNITS
Max Full Cycle Forward Voltage Drop, Averaged Over Full Cycle Per Leg (IO(MAX), 60Hz, Square Wave, TC=55 °C)	VF(AV)	0.5	Vdc
Max Instantaneous Forward Voltage Drop Per Leg (IF= 15 Adc, TC = 25 °C, 300 μs Pulse)	VF	1.0	Vdc
Max Full Cycle Reverse Leakage Current Averaged Over Full Cycle Per Leg (Rated VR, 60Hz, Square Wave, TC= 100 °C)	IR(AV)	1	mAdc
Max Reverse Leakage Current Per Leg (Rated VR, TC=25 °C)	IR	10	μAdc
Max Junction Capacitance Per Leg (VR = 10V, TC=25 °C)	CJ	300	pf

REVERSE RECOVERY CHARACTERISTICS

CHARACTERISTIC	SYMBOL	MIN	TYP	MAX	UNIT
Reverse Recovery Time Per Leg (IF=500mA, IR=1A, IRR=250mA)	trr	--	30	35	ns

PHYSICAL DIMENSIONS



SSDI

SOLID STATE DEVICES, INC.

14830 VALLEY VIEW AVENUE ♦ LA MIRADA, CA 90638
 TELEPHONE: (213) 921 9660 ♦ FAX: (213) 921-2396