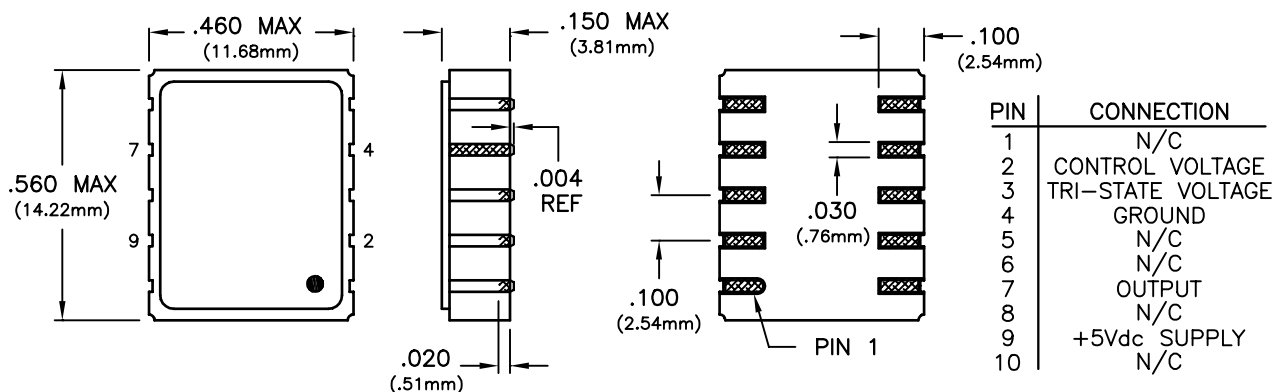


SURFACE MOUNT TRI-STATE VCXO

SPECIFICATIONS	VST510**	VST520**	VST530**	VST540**
Frequency Range	2MHz to 80MHz			
Frequency Stability	±25ppm	±50ppm	±100ppm	±20ppm
Temperature Range	0°C to +70°C			
Waveform	CMOS/TTL Squarewave			
Load	50pF or 10TTL Loads			
Output	Voh	4.50V Minimum		
	Vol	0.40V Maximum		
	Ioh	-16mA		
	Iol	16mA		
Duty Cycle	45/55 Maximum Measured @ 2.5Vdc			
Rise/Fall Time	6nS Maximum			
Jitter (RMS)	5pS Maximum			
Phase Noise (typical)	-65dBc/Hz @ 10Hz , -130dBc/Hz @ 10KHz			
Frequency Control				
Pullability	15	150 (±75ppm Minimum)		
(** add code to model)	22	200 (±100ppm Minimum)		
Control Voltage Range	0.5Vdc to 4.5Vdc			
Slope	Positive			
Control Voltage for Center Frequency	2.5Vdc ±0.5Vdc			
Monotonic Linearity	< ±10%			
Input Impedance	>50K ohm Minimum			
Modulation Bandwidth	≥15KHz			
Tri-State Output E/D Time	100nS Typical			
Input Enable (Vih)	2.2V Minimum			
Control Disable (Vil)	0.8V Maximum			
	Oscillator output is enabled with no connection on pad 3			
Supply Voltage	+5Vdc ±5%			
Supply Current	60mA Maximum			
Package	Hermetically sealed, leadless ceramic package			



SURFACE MOUNT TRI-STATE VCXO

EXAMPLE MODEL NUMBER:

V S T 5 1 0 1 5 / 1 6 . 3 8 4 M H z

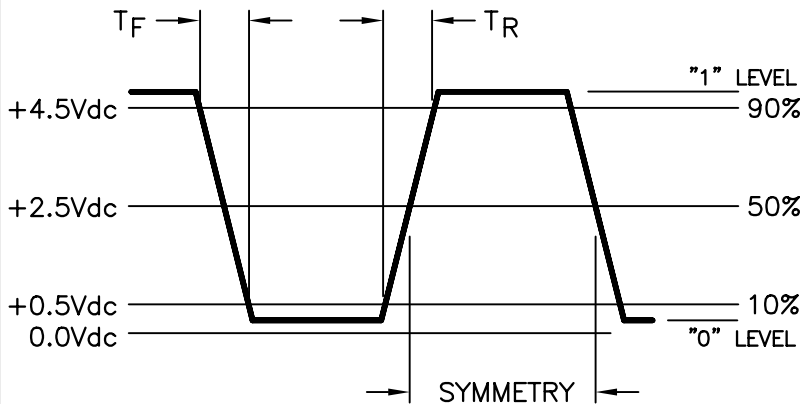
SURFACE MOUNT
VCXO SERIES

CENTER FREQUENCY

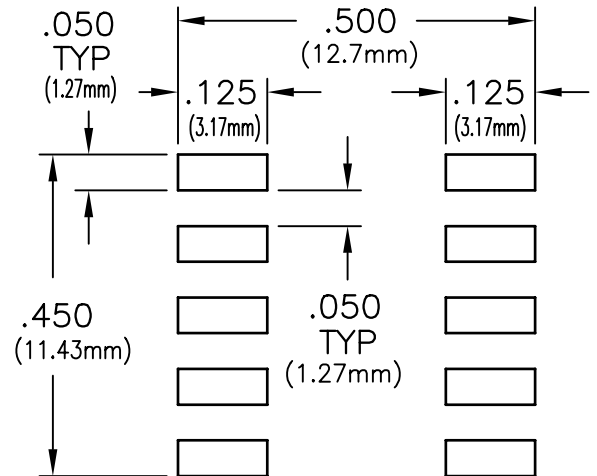
CONTROL VOLTAGE
0.5 to 4.5Vdc

MINIMUM DEVIATION OF
 ± 75 ppm OVER
CONTROL VOLTAGE RANGE

OUTPUT WAVEFORM



SUGGESTED PAD LAYOUT



TEST CIRCUIT

