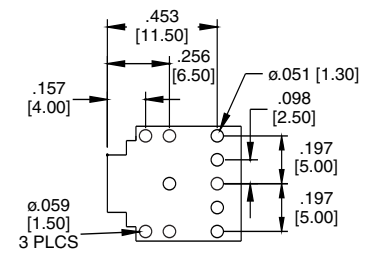
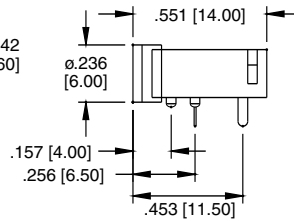
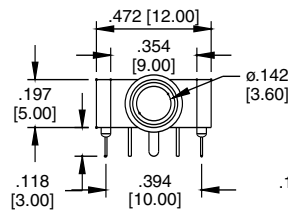


ASJ-1



ASJ-1-3

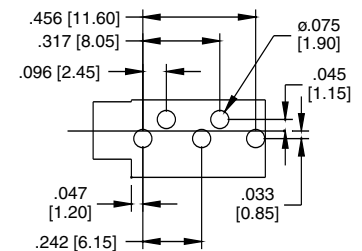
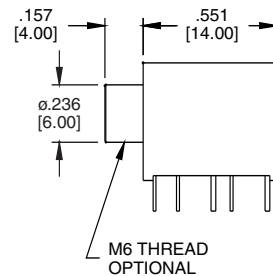
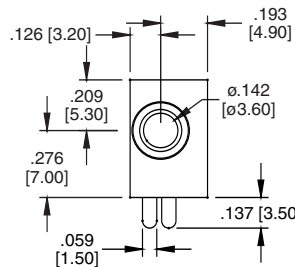


Recommended PCB Layout

ASJ-5



ASJ-5-4A

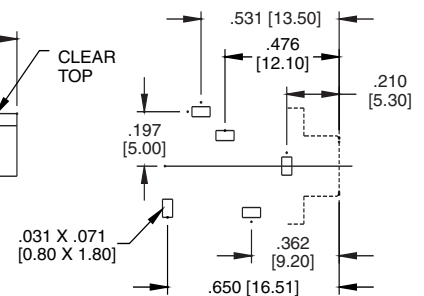
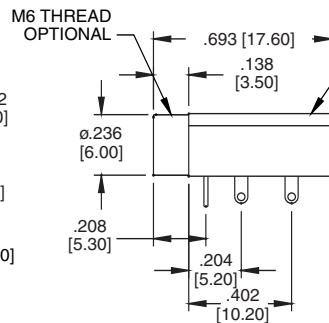
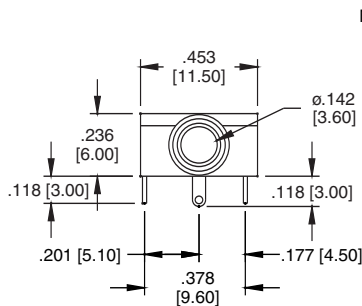


Recommended PCB Layout

ASJ-37



ASJ-37-5-M

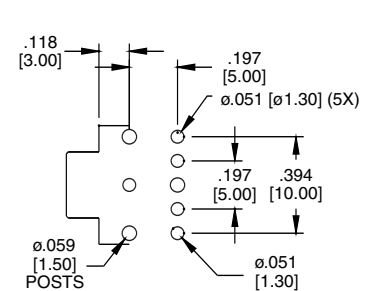
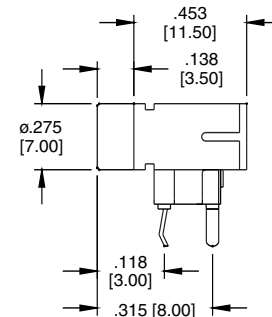
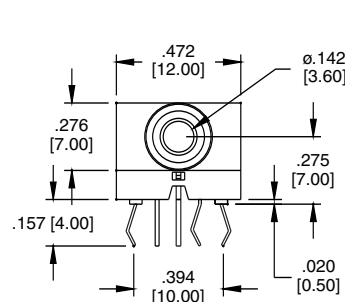


Recommended PCB Layout

ASJ-6



ASJ-6-5



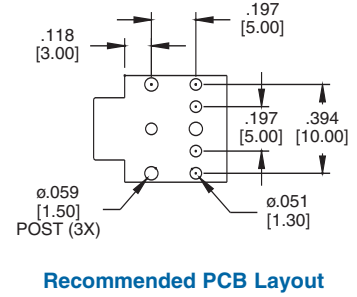
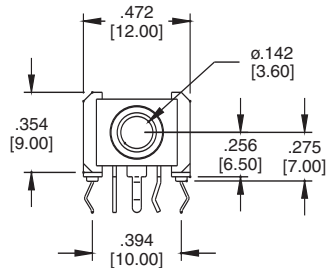
Recommended PCB Layout

Contact Form	Form 2	Form 3	Form 3A	Form 4A	Form 4B	Form 5
Schematic						

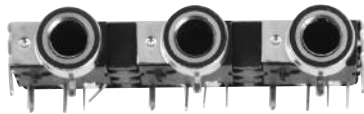
ASJ-7



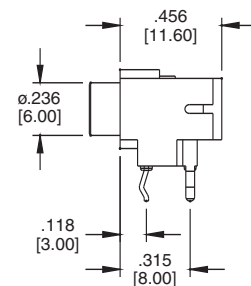
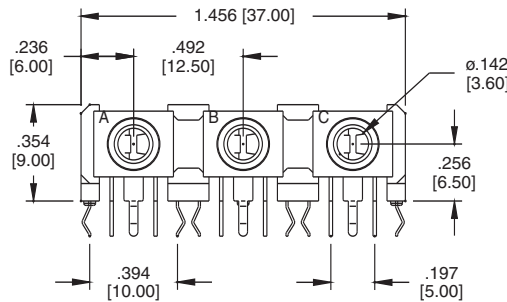
ASJ-7-5



ASJ-40



ASJ-40-4A

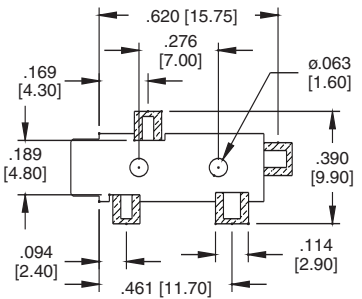
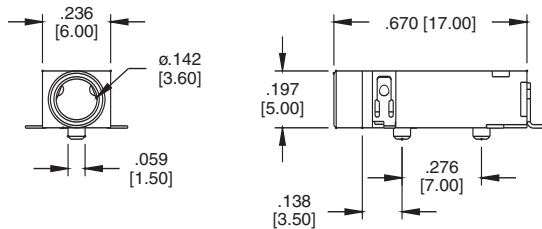


Recommended PCB Layout

ASJ-15



ASJ-15-4B

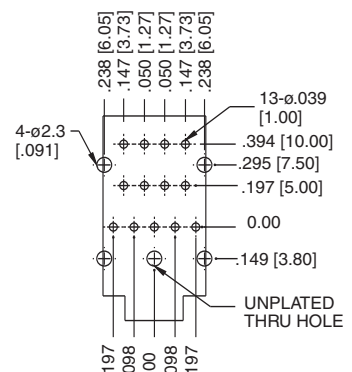
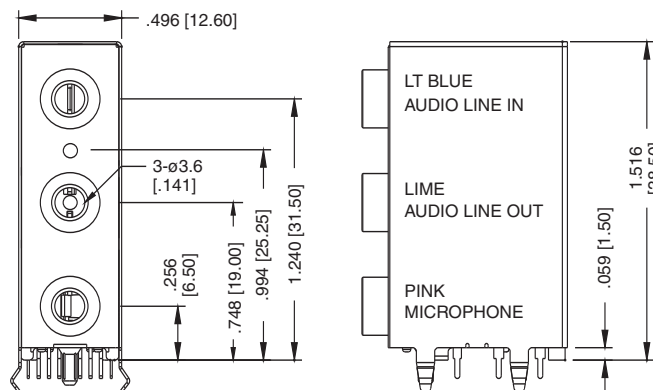


Recommended Solder Pad Layout

ASJ-41



ASJ-41-5

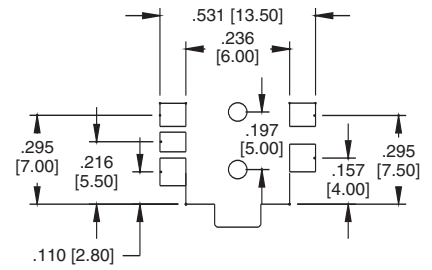
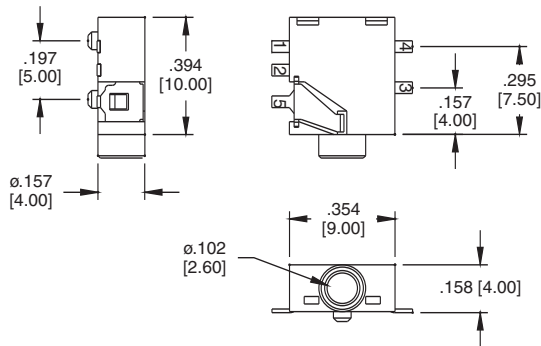


Recommended PCB Layout

ASJ-12



ASJ-12-5

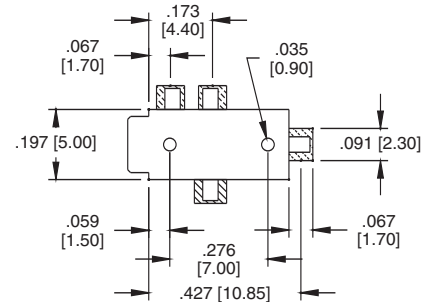
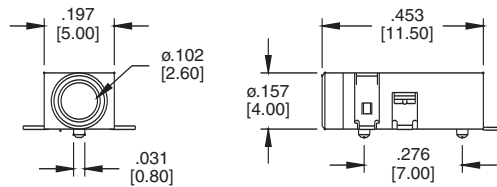


Recommended Solder Pad Layout

ASJ-18



ASJ-18-4B

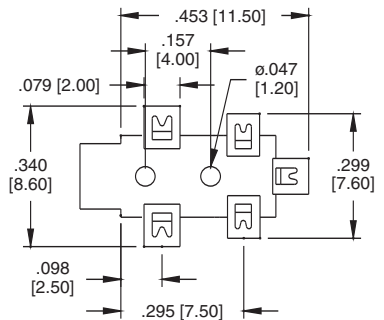
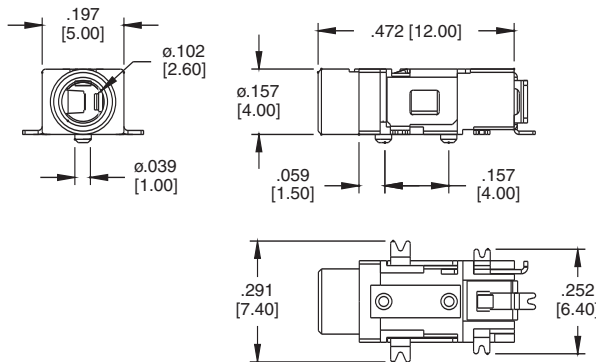


Recommended Solder Pad Layout

ASJ-38

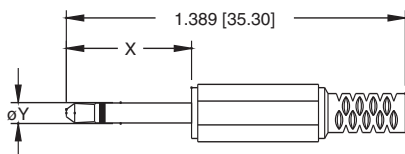


ASJ-38-5



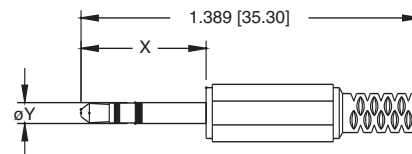
Recommended Solder Pad Layout

Mono Audio Plug



PART No.	X	Y
ASP-2.5-M-SR	.468 [11.90]	$\phi .098$ [2.50]
ASP-3.5-M-SR	.590 [15.00]	$\phi .137$ [3.50]

Stereo Audio Plug



PART No.	X	Y
ASP-2.5-S-SR	.468 [11.90]	$\phi .098$ [2.50]
ASP-3.5-S-SR	.590 [15.00]	$\phi .137$ [3.50]