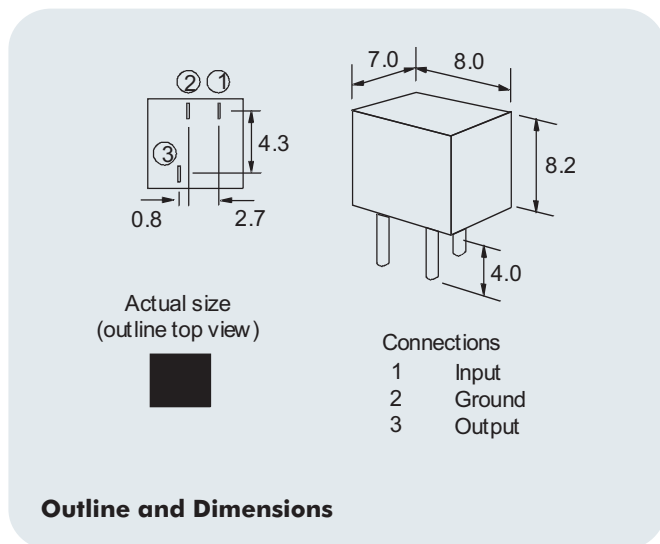


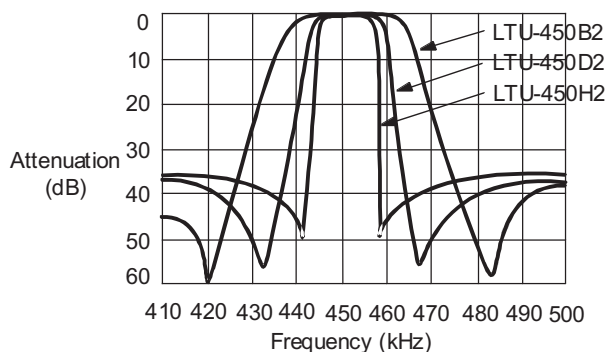
- High selectivity type ceramic filters
- Pass bandwidths from 30kHz to 4MHz
- Easily mounted to PCB
- Miniature size

4 Element

SPECIFICATION



Frequency v. Attenuation Characteristics



ELECTRICAL CHARACTERISTICS

Part Number	Centre Frequency (kHz)	Insertion Loss (dB max.)	Pass Band Ripple (dB max.)	6dB Bandwidth (kHz min.)	40dB Bandwidth (kHz min.)	Stop Band Att. ± 100 kHz (dB min.)	Input/Output Impedance (Ω)
LTU-450B2	450 \pm 2.0	4	2	± 15	± 30	27	1500
LTU-450C2	450 \pm 2.0	4	2	± 12.5	± 24	27	1500
LTU-450D2	450 \pm 1.5	4	2	± 10	± 20	27	1500
LTU-450E2	450 \pm 1.5	6	2	± 7.5	± 15	27	1500
LTU-450F2	450 \pm 1.5	6	2	± 6	± 12.5	27	2000
LTU-450G2	450 \pm 1.0	6	2	± 4.5	± 10	25	2000
LTU-450H2	450 \pm 1.0	6	2	± 3	± 9	25	2000
LTU-450I2	450 \pm 1.0	6	2	± 2	± 7.5	25	2000
LTU-450HT	450 \pm 1.0	6	2	± 3	± 9	35	2000
LTU-450IT	450 \pm 1.0	6	2	± 2	± 7.5	35	2000

TEST CIRCUIT

