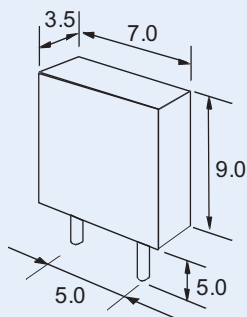


ZTB SERIES

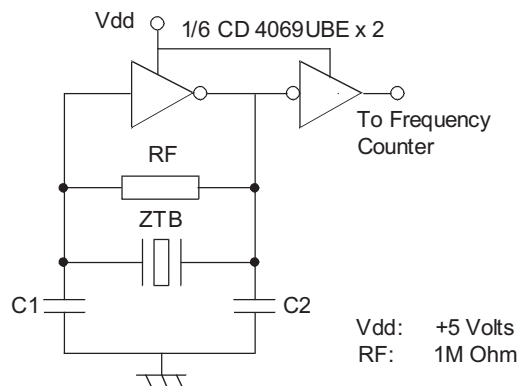
450kHz to 509kHz

ZTB Series 450kHz to 509kHz



Outline and Dimensions

Test Circuit



Electrical characteristics

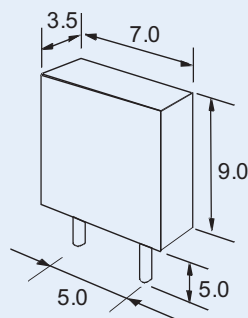
Part Number	Frequency Range (kHz)	Frequency Accuracy at 25°C	Temperature Stability -20° to +80°C	Ageing Stability 10 years	Resonance Resistance (Ω) max.	C ₁ (pF)	C ₂ (pF)
ZTB ---E	450 to 509	±2.0kHz	±0.3%	±0.5%	20	100pF	100pF

(For ---- insert frequency)

ZTB SERIES

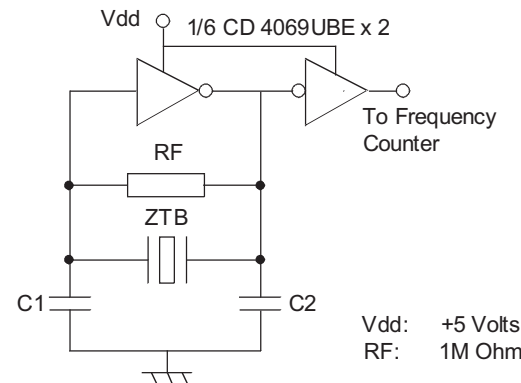
510kHz to 699kHz

ZTB Series 510kHz to 699kHz



Outline and Dimensions

Test Circuit



Electrical characteristics

Part Number	Frequency Range (kHz)	Frequency Accuracy at 25°C	Temperature Stability -20° to +80°C	Ageing Stability 10 years	Resonance Resistance (Ω) max.	C ₁ (pF)	C ₂ (pF)
ZTB ---P	510 to 699	±2.0kHz	±0.3%	±0.5%	35	100pF	100pF

(For ---- insert frequency)