



■ Features :

- Universal AC input / Full range
- 3 pole AC inlet IEC320-C14
- Built-in active PFC function, PF>0.95
- Class I power (with earth pin)
- Protections: Short circuit / Overload / Over voltage / Over temperature
- Fully enclosed plastic case
- LED indicator for power on
- No load power consumption < 1W @240VAC
- 2 years warranty



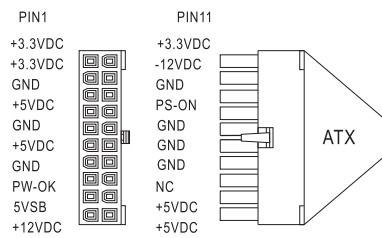
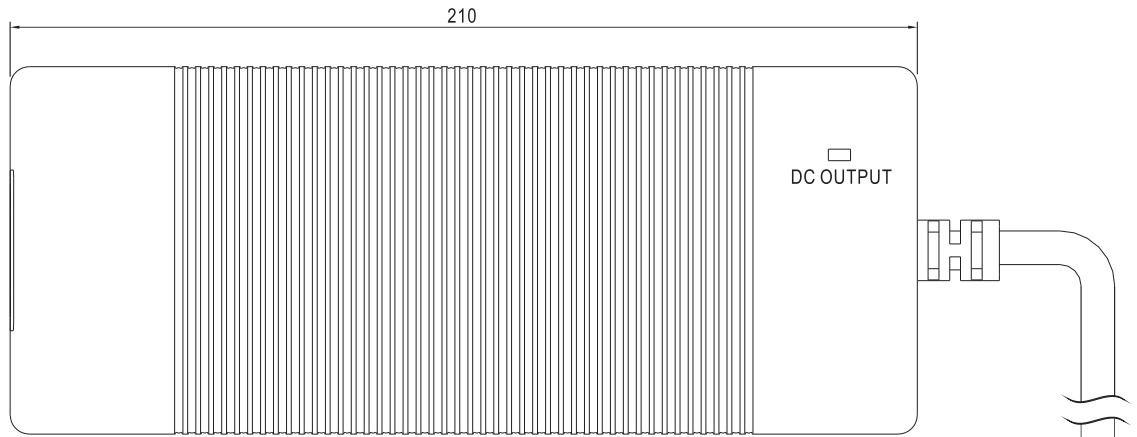
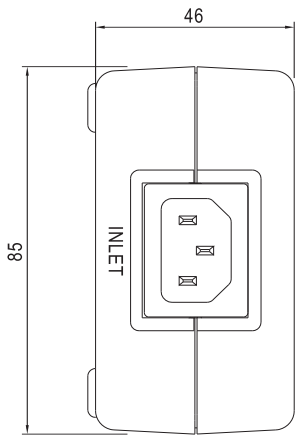
**SPECIFICATION**

MODEL		ATX-100				
OUTPUT	OUTPUT NUMBER	CH1	CH2	CH3	CH4	CH5
	DC VOLTAGE	3.3V	5V	12V	-12V	5VSB
	RATED CURRENT	5A	6A	3.75A	0.3A	1A
	CURRENT RANGE	0 ~ 6A	0 ~ 8A	1 ~ 7A	0 ~ 0.5A	0 ~ 2A (Note.7)
	RATED POWER <small>Note.8,9</small>	50W		-----		
		100W(continue), 125W(7min.), 150W(3min.)				
	RIPPLE & NOISE (max.) <small>Note.2</small>	100mVp-p	100mVp-p	120mVp-p	120mVp-p	100mVp-p
	VOLTAGE TOLERANCE <small>Note.3</small>	±5.0%	±5.0%	±5.0%	±10%	±5.0%
	LINE REGULATION	±1.0%	±1.0%	±1.0%	±1.0%	±1.0%
	LOAD REGULATION	±5.0%	±5.0%	±5.0%	±10%	±5.0%
SETUP, RISE TIME	3000ms, 80ms at full load					
HOLD UP TIME(Typ.)	40ms at full load					
INPUT	VOLTAGE RANGE <small>Note.10</small>	90 ~ 264VAC		127 ~ 370VDC		
	FREQUENCY RANGE	47 ~ 63Hz				
	POWER FACTOR (Typ.)	PF>0.95 at full load				
	EFFICIENCY(Typ.)	80%				
	AC CURRENT (Typ.)	1.4A/115AVC		0.7A/230VAC		
	INRUSH CURRENT (Typ.)	COLD START < 60A at 230VAC				
	LEAKAGE CURRENT (max.)	<2mA / 240VAC				
PROTECTION	OVERLOAD	6.2A min.	8.2A min.	7.2A min.	-----	-----
		Protection type : Shut down o/p voltage(except for 5VSB ), re-power on to recover				
	OVER VOLTAGE	3.7 ~ 4.1V	5.7 ~ 6.5V	13.2 ~ 14.4V	-----	-----
	Protection type : Shut down o/p voltage(except for 5VSB ), re-power on to recover					
OVER TEMPERATURE	100°C ±5°C (TSW1:detect on heatsink of power transistor)					
	Protection type : Shut down o/p voltage(except for 5VSB ), re-power on to recover					
SIGNAL FUNCTION	POWER OK	TTL compatible signal with 100 ~ 500ms delay after set up				
	PS-ON	Power ON:PS-ON="Low" or "<0.8V"; Power OFF:PS-ON="Hi" or ">2V"				
ENVIRONMENT	WORKING TEMP.	0 ~ +50°C (Refer to output load derating curve)				
	WORKING HUMIDITY	20 ~ 90% RH non-condensing				
	STORAGE TEMP., HUMIDITY	-20 ~ +85°C, 10 ~ 95% RH				
	TEMP. COEFFICIENT	±0.05%/°C (0 ~ 60°C)				
	VIBRATION	10 ~ 500Hz, 2G 10min./1cycle, period for 60min. each along X, Y, Z axes				
SAFETY & EMC (Note 6)	SAFETY STANDARDS	Design refer to UL60950-1, IEC60950-1 CB approved by TUV				
	WITHSTAND VOLTAGE	I/P-O/P:3KVAC				
	ISOLATION RESISTANCE	I/P-O/P:>100M Ohms/500VDC 25°C 70%RH				
	EMI CONDUCTION & RADIATION	Compliance to EN55022 (CISPR22) Class B, EN61204-3				
	HARMONIC CURRENT	Compliance to EN61000-3-2,-3				
	EMS IMMUNITY	Compliance to EN61000-4-2,3,4,5,6,8,11; ENV50204, EN55024, light industry level, criteria A				
OTHERS	MTBF	152Khrs min. MIL-HDBK-217F (25°C)				
	DIMENSION	210*85*46mm(L*W*H)				
	PACKING	1.12Kg; 12pcs/14.5Kg/0.95CUFT				
NOTE	<ol style="list-style-type: none"> <li>1. All parameters NOT specially mentioned are measured at 230VAC input, rated load and 25°C of ambient temperature.</li> <li>2. Ripple &amp; noise are measured at 20MHz of bandwidth by using a 12" twisted pair-wire terminated with a 0.1uf &amp; 47uf parallel capacitor.</li> <li>3. Tolerance : includes set up tolerance, line regulation and load regulation.</li> <li>4. Line regulation is measured from low line to high line at rated load.</li> <li>5. Each output power up to maximum current, but total load cannot exceed maximum output power(100W).</li> <li>6. The power supply is considered a component which will be installed into a final equipment. The final equipment must be re-confirmed that it still meets EMC directives.</li> <li>7. 5VSB peak load 2A&lt; 10sec.</li> <li>8. Total power of 5V, 3.3V should less than 50W.</li> <li>9. 125W peak load duty 7min./hr, 150W peak load duty 3min./hr.</li> <li>10. Derating may be needed under low input voltage. Please check the derating curve for more details.</li> <li>11. 2 years warranty is based on 12hrs/day of operating time for the unit.</li> </ol>					

## Mechanical Specification

Case No.961A

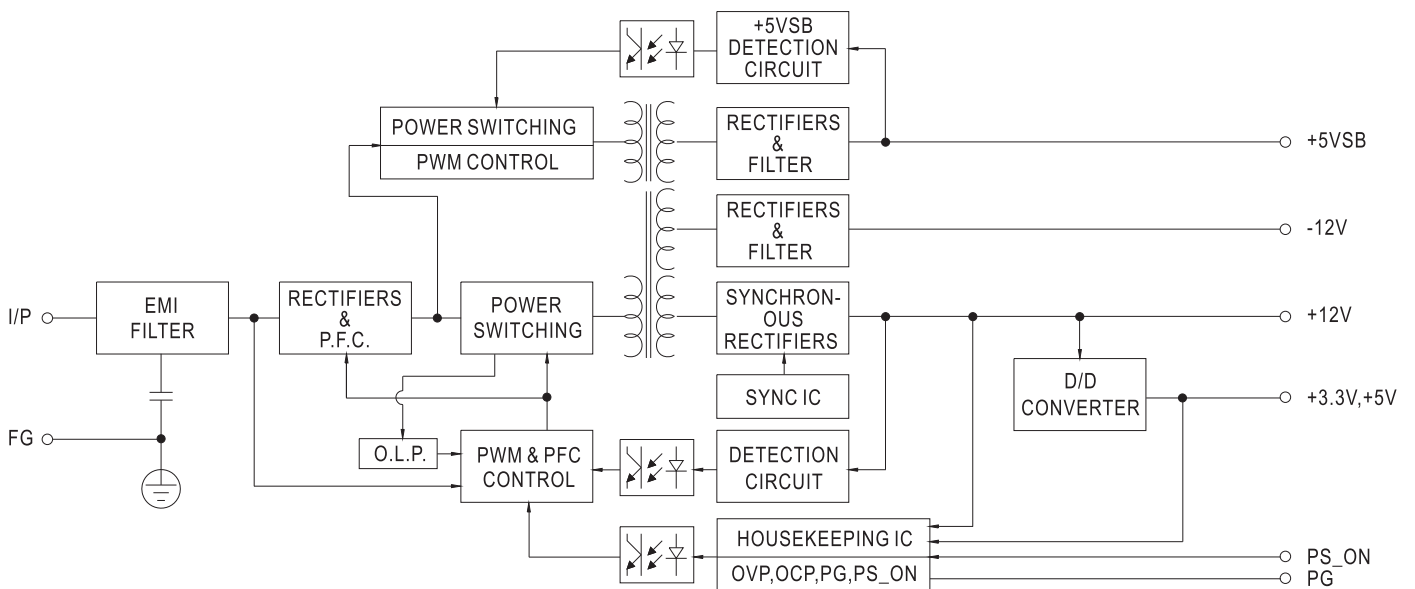
Unit:mm



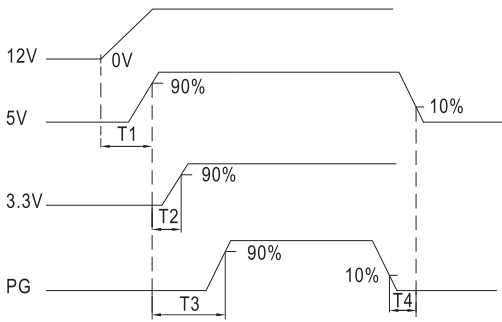
Type: MOLEX 39-01-2200 or equivalent  
L=650mm±50mm

## Block Diagram

fosc : 88KHz

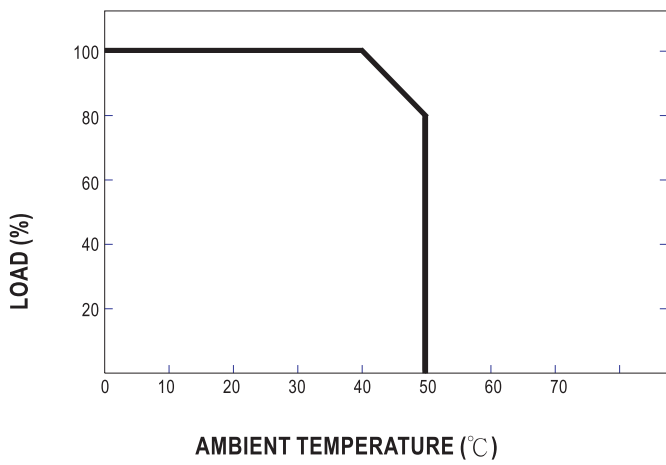


### Sequence



- T1 : 0~20ms ( $\pm 20\%$ )
- T2 : 0~15ms ( $\pm 20\%$ )
- T3 : 100~500ms
- T4 : 0~30ms

### Derating Curve



### Output Load VS Input Voltage

